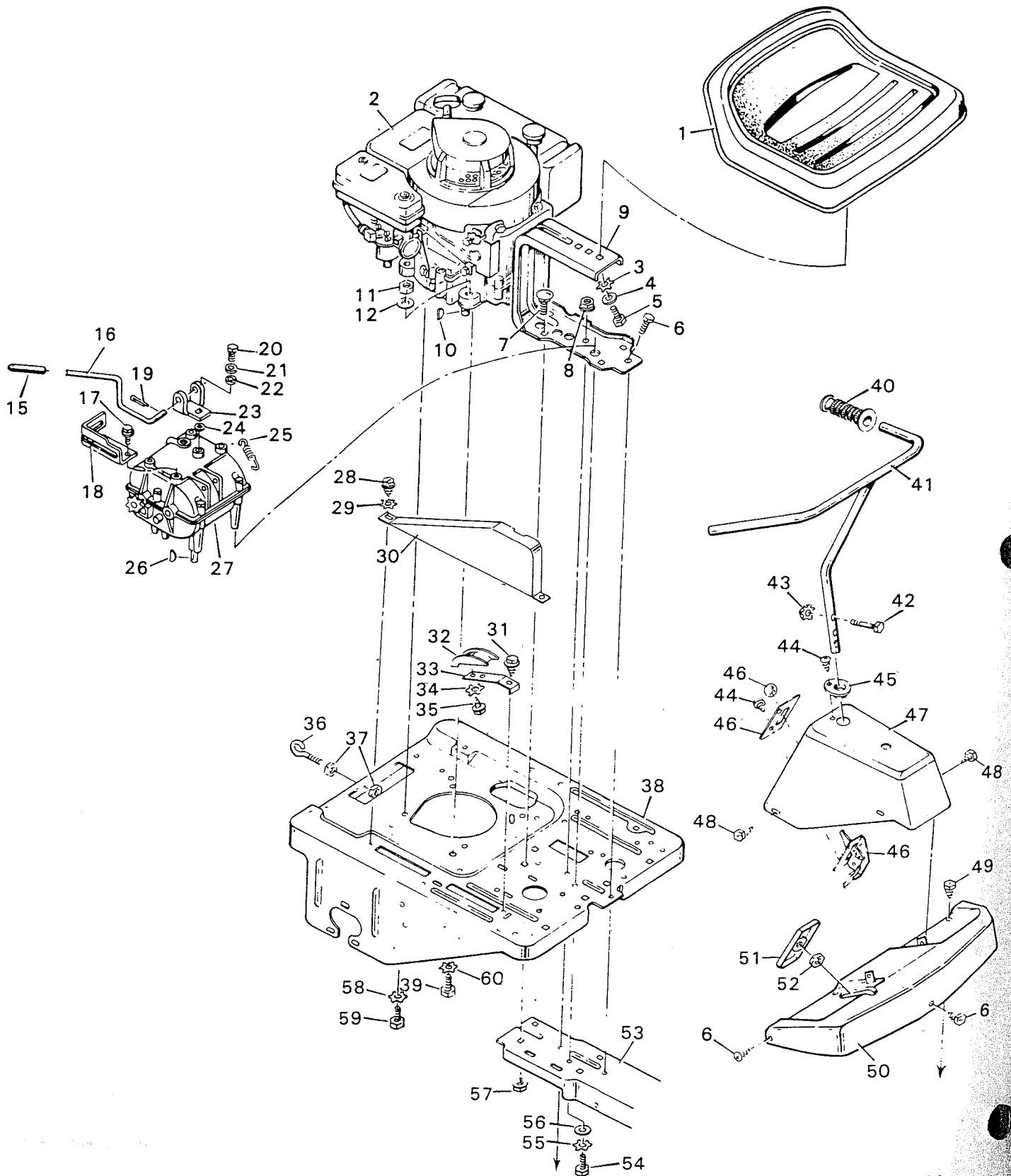


BODY PARTS ILLUSTRATION

FACTORY MODEL NO.4-25113X10
CUSTOMER MODEL NO. MOM 7101A48

B



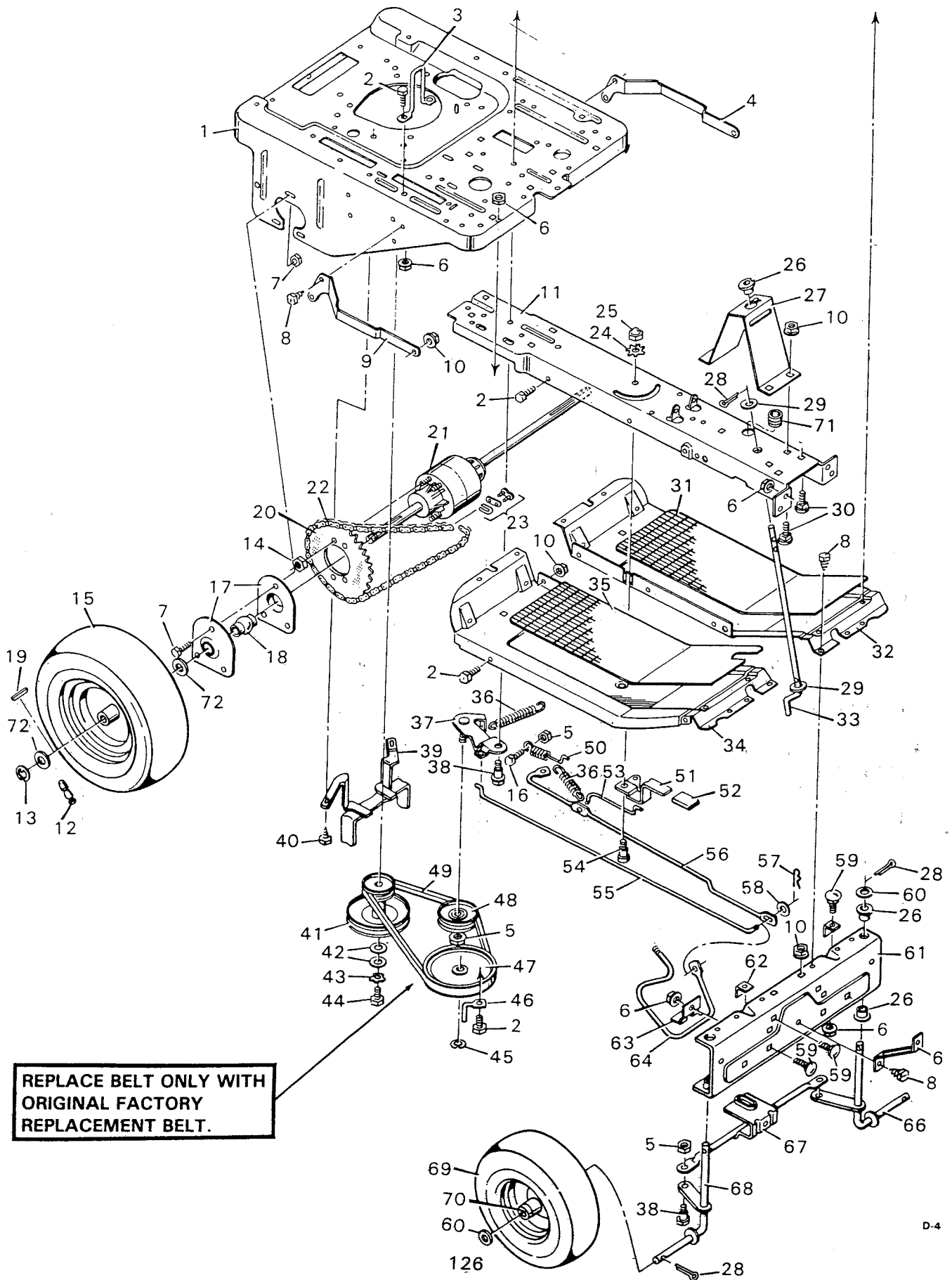
D-4432-1

BODY PARTS LIST

FACTORY MODEL NO. 4-25113X10
CUSTOMER MODEL NO. MOM 7101A48

KEY NO.	DESCRIPTION	PART NO.	KEY NO.	DESCRIPTION	PART NO.
1	Seat	23568	33	Leaf Spring	23402
2	Engine	----	34	Shakeproof Washer	19X4
3	Shakeproof Washer	19X36	35	Screw 1/4"X1/2"	26X195
4	Washer	17X67Z	36	Eye Bolt	20696
5	Hex Bolt 1/2"-13X3/4"	1X88	37	Hex Nut 3/8"-24	15X33
6	Screw 5/16"X3/4"	26X197	38	Engine Base	23427
7	Carriage Bolt 3/8"-16X3/4"	2X56	39	Engine Mount Bolt 5/16"-24X11/4"	1X74
8	Flange Locknut 3/8'-16	15X84	40	Grip	20171
9	Seat Bracket Assembly	24567	41	Handlebar	54122
10	Woodruff Key No. 6	20062	42	Hex Bolt 1/4"-20X11/4"	1X94
11	Hex Nut 5/16"-24	15X42	43	Keys Nut 1/4"-20	15x66
12	Washer	17X47Z	44	Screw #8X3/8"	26X159
15	Grip	54127	45	Nylon Bearing	23404
16	Shift Lever	24992	46	Remote Control and Knob	21221
17	Screw 5/16"X1"	26X207	47	Console Assembly	23449
18	Gate Bracket	24999	48	Screw 1/4"X1/2"	26X214
19	Cotter Pin	30X20	49	Screw #10X1/2"	26X179
20	Hex Bolt 1/4"-28X1/2"	1X82	50	Apron Assembly	20474
21	Washer	17X32	51	Pedal Assembly	20575E
22	Lockwasher	18X32	52	Hex Nut	15X63
23	Yoke Bracket	24834	53	Channel Assembly	23673
24	Washer	17X134	54	Hex Bolt 5/16"-18X3/4"	1X91
25	Extension Spring	165X28	55	Shakeproof Washer	19X6
26	Woodruff Key No. 9	20697	56	Washer	10851Z
27	Transmission	----	57	Flange Nut 3/8"-16	15X68Z
28	Screw #10X3/8"	26X185	58	Shakeproof Washer	19X8
29	Shakeproof Washer	19X1	59	Bolt	20103
30	Chain Guard	55252	60	Shakeproof Washer	19X6
31	Screw 5/16"X3/8"	26X174			
32	Guide Block	23403			

For Murray Parts Call 606-678-9623 or 606-561-4983
RIDING MOWER PARTS ILLUSTRATION
FACTORY MODEL NO. 4-25113X10
CUSTOMER MODEL NO. MOM7101A48



RIDING MOWER PARTS LIST
FACTORY MODEL NO. 4-25113X10
CUSTOMER MODEL NO. MOM7101A48

KEY NO.	PART NO.	DESCRIPTION	KEY NO.	PART NO.	DESCRIPTION
1	23427	Engine Base	40	26X50	Screw
2	1X45	Hex Bolt 5/16-18-5/8	41	23505Z	Stack Pulley Assembly
3	23553Z	Chain Clamp	42	10851Z	Washer
4	23456	L.H. Running Board Support	43	19X39	Shakeproof Washer
5	15X84	Flange Locknut 3/8-16	44	1X20	Hex Bolt 3/8-24X1
6	15X79	Flange Nut 5/16-18	45	11X7	Retainer Ring
7	15X85	Flange Nut 3/8-16	46	23470Z	Belt Guide-Trans. Pulley
8	26X197	Screw	47	23615	Transmission Pulley
9	23455	R.H. Running Board Support	48	20613	Idler Pulley
10	15X68Z	Flange Nut 3/8-16	49	37X5	Drive Belt
11	23673	Frame Channel	50	165X11	Brake Spring
12	24373	Valve Stem & Cap†	51	21829Z	Parking Brake Lever
13	11X3	Retainer Ring	52	23340	Parking Brake Grip
14	15X88	Flange Nut 5/16-18	53	23120	Parking Brake Link
15	54167	Wheel & Tire	54	6X46	Shoulder Screw
-	54168	Tire Only†	55	20669	Clutch & Brake Rod
--	54166	Wheel Only†	56	23118	Brake Rod
16	1X85	Hex Bolt 3/8-16X3/4	57	30X20	Cotter Pin
17	20570Z	Bearing Retainer	58	17X32	Washer
18	24944	Rear Axle Bearing	59	2X53	Carriage Bolt 5/16-18X5/8
19	21553	Square Key	60	17X100Z	Washer
20	90188	Sprocket-50 Tooth	61	20545	Front Axle Beam
21	55000	Differential & Axle Unit	62	20709	Stop Clip
22	54189	Roller Chain	63	20572	Clutch & Brake Lever Clamp
23	20730	Connecting Link	64	20645	Clutch & Brake Lever
24	19X4	Shakeproof Washer	65	20639	Apron Support
25	14X77	Acorn Nut	66	24980	L.H. Spindle Assembly
26	20587	Spindle Bearing-Nylon	67	24700	Tie Bar Assembly
27	21071	Steering Support	68	24979	R.H. Spindle Assembly
28	30X49	Cotter Pin	69	24624	Front Wheel & Tire
29	17X87Z	Washer	70	24615	Front Wheel Bearing*
30	2X56	Carriage Bolt 3/8-16X3/4	71	21268	Grommet
31	20691	L.H. Running Mat	72	21521	Washer
32	21894	L.H. Running Board			
33	20864	Lower Steering Post			
34	21893	R.H. Running Board			
35	20690	R.H. Rubber Mat			
36	165X2	Drive Idler Spring			
37	23122Z	Drive Idler Assembly			
38	9X15Z	Shoulder Bolt			
39	24713Z	Belt Guide Assembly			

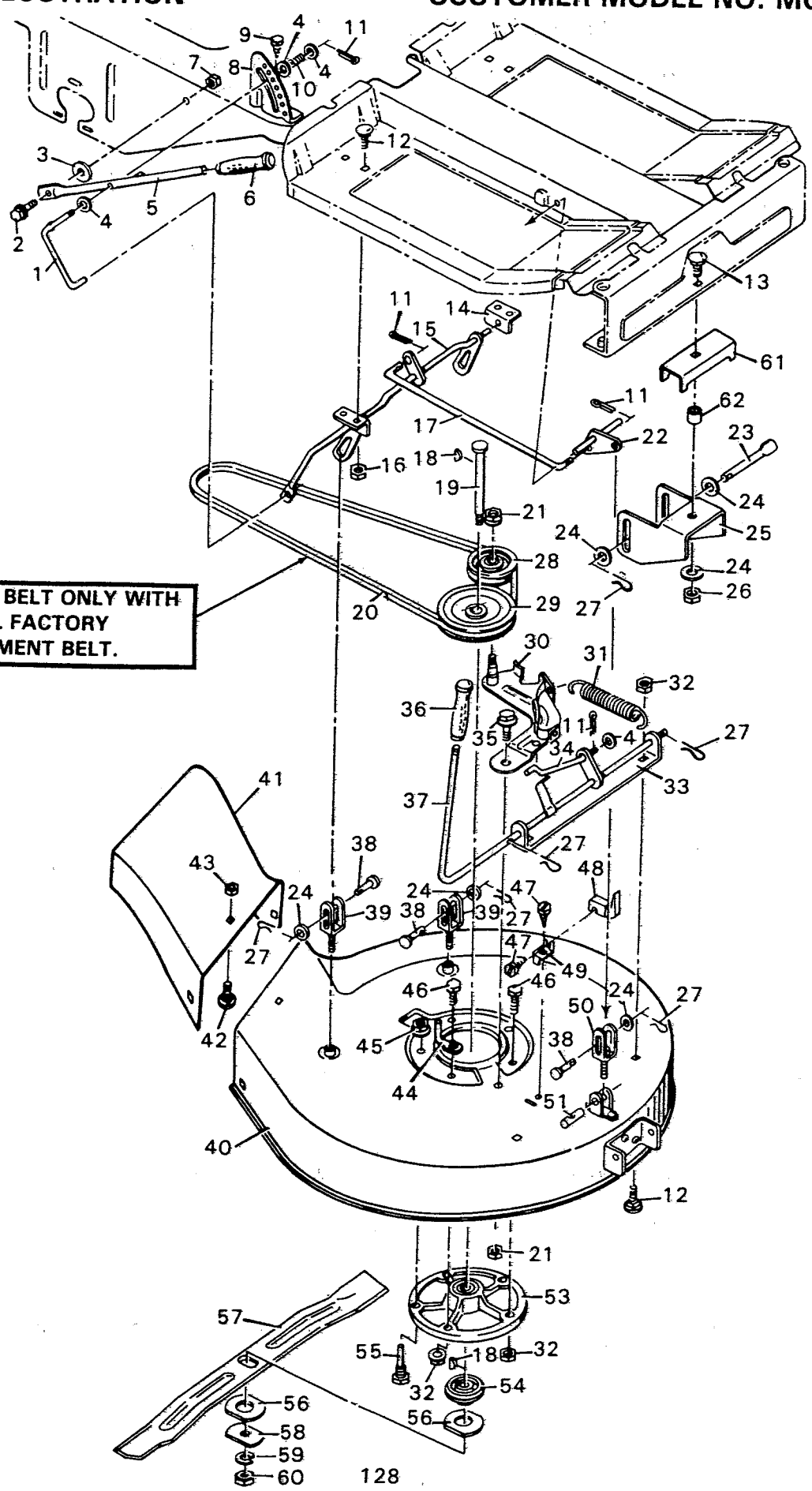
* Included with Key #69.

† Included with Key No. 15. NOTE: When ordering replacement parts specify the brand name of the tire to insure tire tread patterns match.

For Murray Parts Call 606-678-9623 or 606-561-4983
MOWER HOUSING
PARTS ILLUSTRATION

FACTORY MODEL NO. 4-25113X1
CUSTOMER MODEL NO. MOM 7101A4

REPLACE BELT ONLY WITH ORIGINAL FACTORY REPLACEMENT BELT.



D-4318

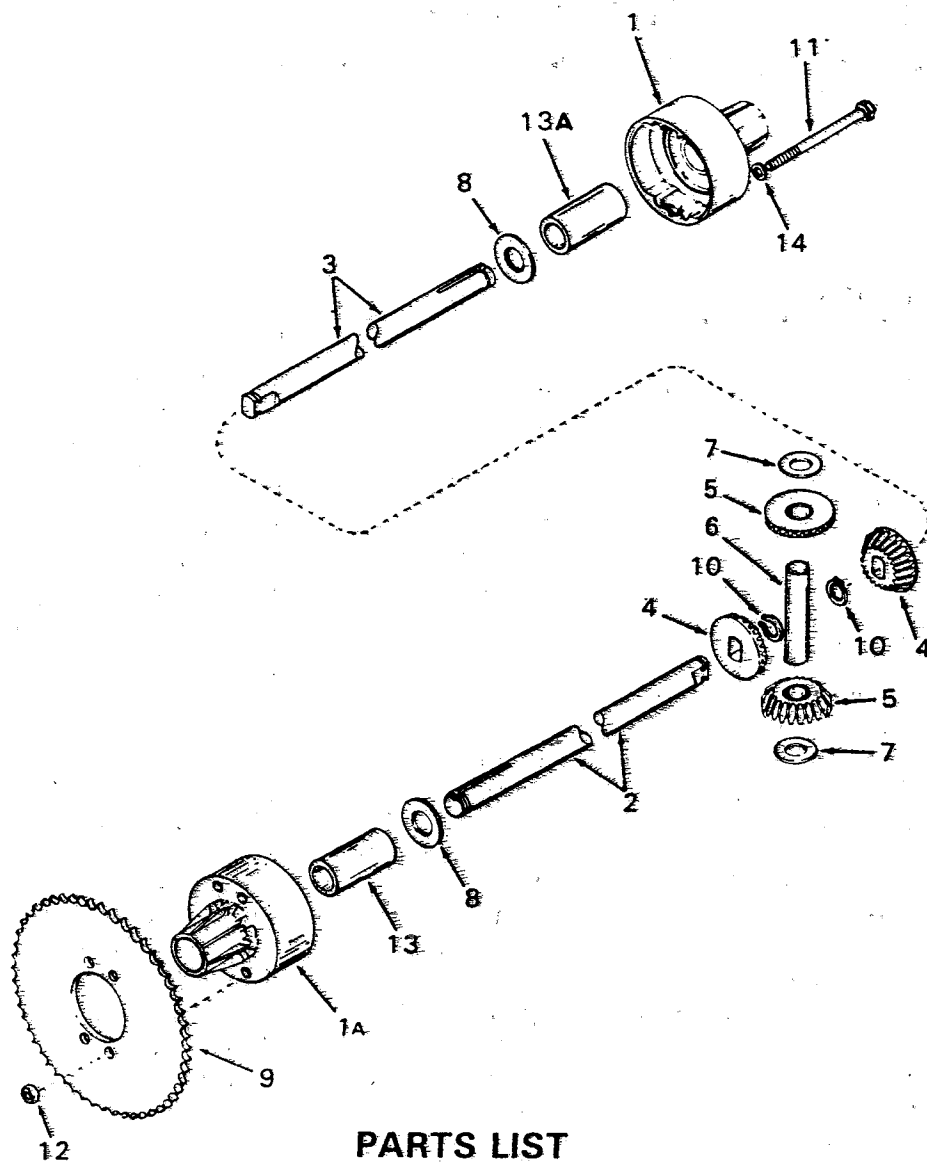
MOWER HOUSING PARTS LIST
FACTORY MODEL NO. 4-25113X10
CUSTOMER MODEL NO. MOM 7101A48

KEY NO.	PART NO.	DESCRIPTION	KEY NO.	PART NO.	DESCRIPTION
1	21886	Lifter Rod	31	165X1	Blade Idler Spring
2	9X14Z	Shoulder Bolt	32	15X88	Flange Locknut 5/16-18**
3	17X127Z	Washer	33	20666	Front Scissor Bracket**
4	17X46Z	Washer	34	20673Z	Blade Brake Rod
5	20658	Lever & Pin Assembly	35	9X15Z	Shoulder Bolt
6	20718	Grip-Lifting Lever	36	20719	Grip
7	15X68	Flange Nut 3/8-16	37	24671Z	Blade Drive Lever Assembly
8	20636	Index Bracket	38	21891	Clevis Pin
9	26X197	Screw	39	24513	Rear Slotted Bracket
10	164X1	Lifter Spring	40	24911	Blade Housing Assembly
11	30X20	Cotter Pin	41	24892	Deflector**
12	2X53	Carriage Bolt 5/16-18X5/8**	42	2X39	Carriage Bolt 1/4-20X9/16**
13	2X68	Carriage Bolt 1/2-13X1	43	15X89	Flange Locknut 1/4-20**
14	21876	Rear Bracket*	44	23470Z	Belt Guide
15	24505	Lifter Rod Assembly	45	15X79	Locknut 5/16-18
16	15X79	Flange Nut 5/16-18	46	1X84	Hex Bolt 5/16-18X1
17	24500	Lifter Link	47	26X214	Screw
18	20062	Woodruff Key #6	48	24527	Limit Switch
19	20616	Jackshaft	49	24503	Switch Bracket**
20	37X7	Blade Belt	50	24522	Front Slotted Bracket
21	15X84	Flange Locknut 3/8-16	51	21892	Lifter Pin
22	21880	Pivot Arm & Rod Assembly-	53	24384	Jackshaft Housing Assembly
23	21890Z	Pin	54	20617	Blade Adapter
24	17X67Z	Washer	55	20619Z	Guide Bolt
25	21885	Front Suspension Bracket	56	21673Z	Washer
26	15X41	Hex Nut 1/2-13	57	20083	Blade
27	75336	Hair Pin	58	20663Z	Blade Washer
28	20613	Idler Pulley	59	18X27	Lockwasher
29	20615	Jackshaft Pulley	60	15X72	Blade Mount Nut
30	20671	Idler Bracket & Brake Assembly	61	23674	Spacer
			62	24663Z	Spacer

*Included with key no. 15

**These numbers are included with key no. 40.

DIFFERENTIAL

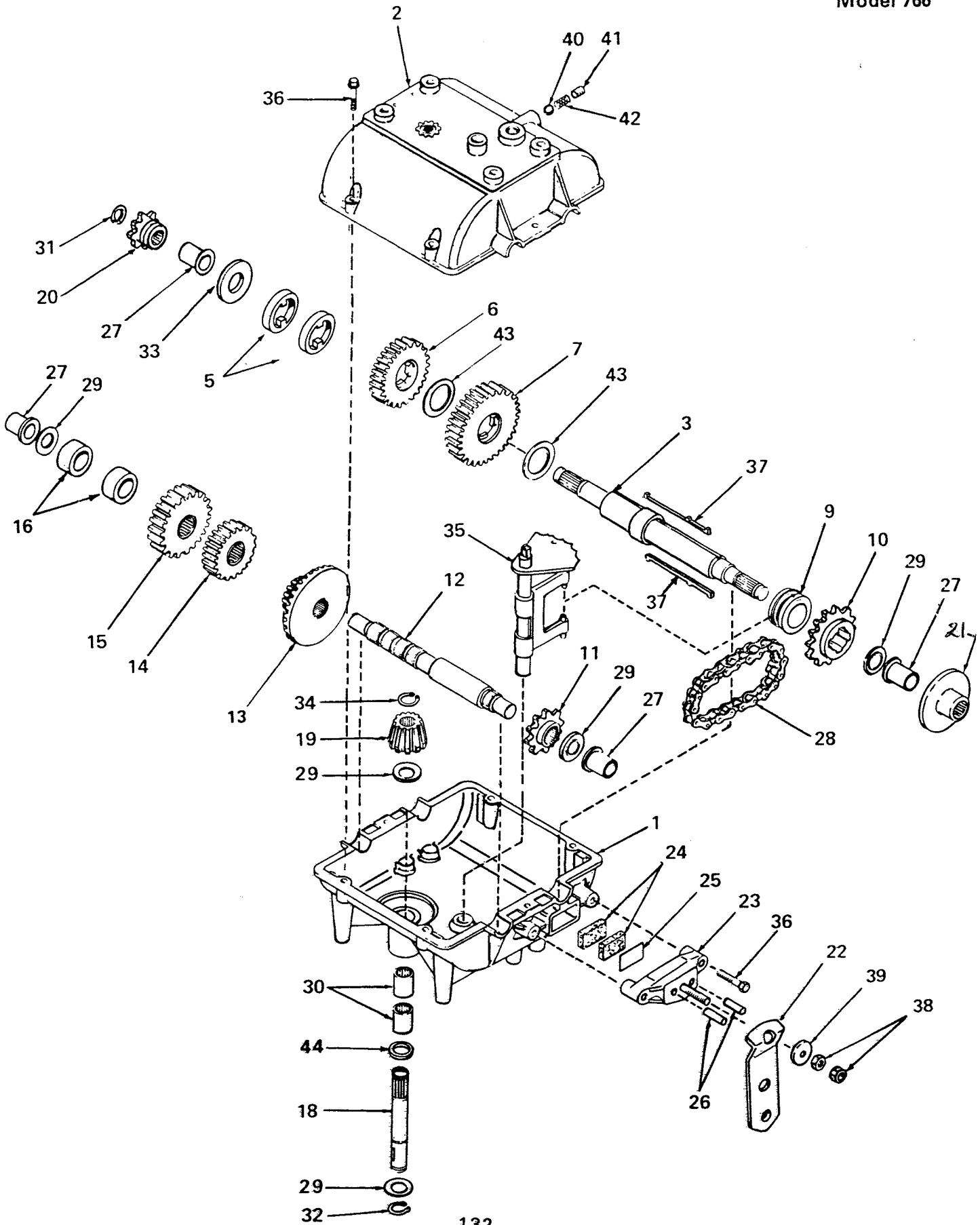


PARTS LIST

KEY NO.	PART NO.	DESCRIPTION
1	774463	Housing, Differential carrier (Incl. No. 13A)
1A	774344	Housing, Differential carrier (Incl. No. 13)
2	774464	Axle (8-37/64" long)
3	774465	Axle (18-11/16" long)
4	778067	Gear, Bevel
5	778068	Gear, Pinion
6	786040	Pin, Drive
7	780096	Washer, Thrust
8	780001	Washer
9	90188	Sprocket 50 Tooth
10	792018	Ring, Snap
11	792041	Screw, Hex Hd., 5/16-18X3-3/4
12	792042	Nut, Lock, 5/16-18
13	780077	Bushing
13A	780124	Bushing
14	792061	Washer

TWO SPEED TRANSMISSION

Model 766



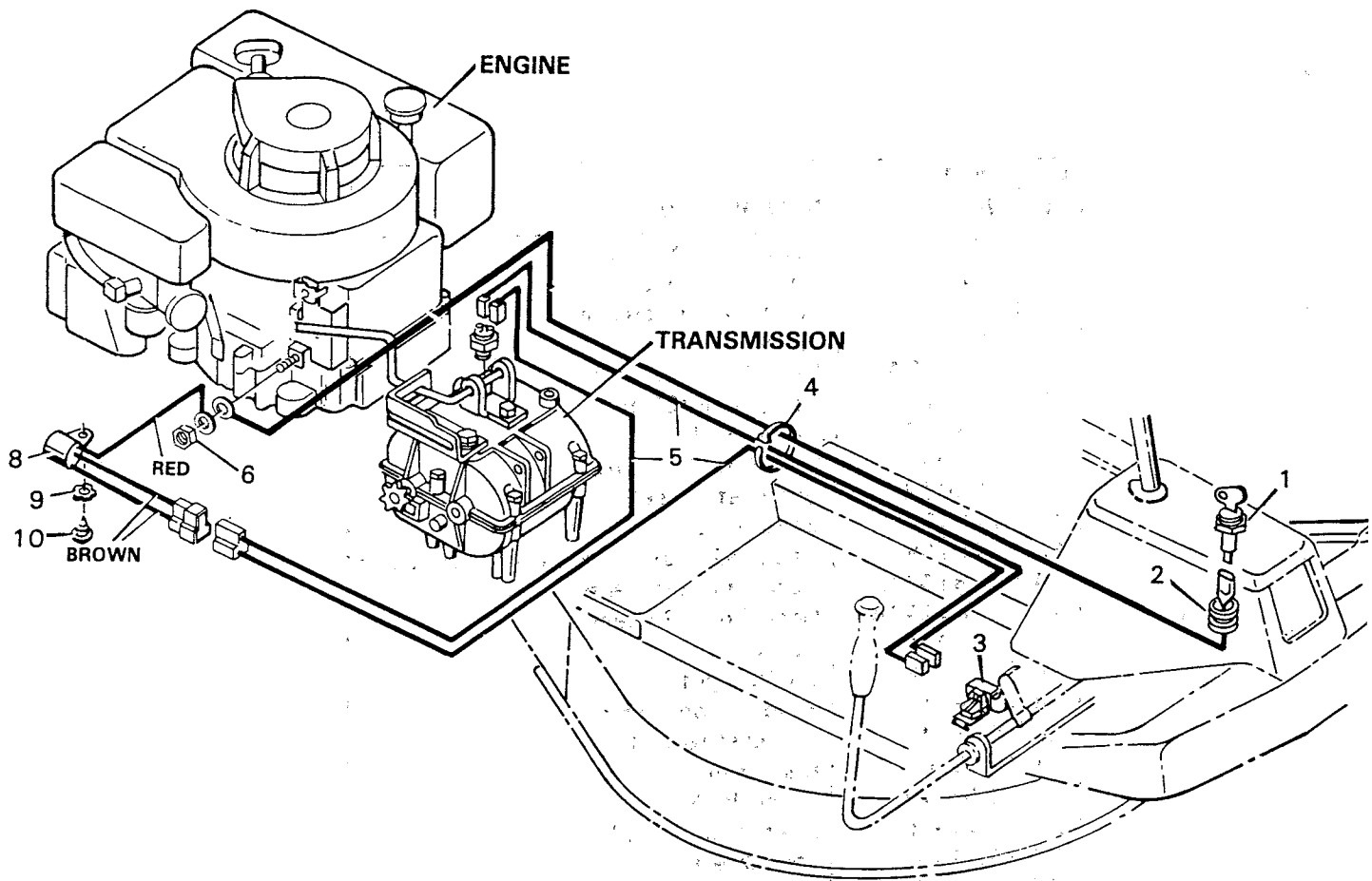
TWO SPEED TRANSMISSION

MODEL 766

KEY NO.	PART NO.	DESCRIPTION
1	770061	Case, Transmission
2	772083	Cover Transmission
3	776162	Shaft, Output and Brake
5	786072	Spacer
6	778123A	Gear, Spur (25 teeth)
7	778124A	Gear, Spur (30 teeth)
9	784266	Collar, Shift
10	786083	Sprocket (18 teeth)
11	786082	Sprocket (9 teeth)
12	776134	Shaft, Counter
13	778109	Gear, (42 tooth bevel & 15 tooth spur)
14	778126A	Gear, Spur (20 teeth)
15	778127PA	Gear, Spur (25 teeth)
16	786071	Spacer
18	776135	Shaft, Input
19	778113A	Bevel pinion, Input
20	786047	Sprocket (8 teeth)
21	790003	Disk, Brake
22	790013	Lever, Brake
23	790005	Holder, Brake pad
24	790006	Pad, Brake
25	790007	Plate, Brake pad
26	786026	Pin, Dowel
27	780105A	Bushing, Flanged
28	786081	Chain, Roller (No. 41 chain, 24 links)
29	780072	Race, Thrust
30	780086	Bearing, Needle
31	792072	Ring, Retaining
32	792035	Ring, Retaining
33	780109	Washer
34	788040	Ring, Retaining
35	784270	Rod & Fork Assy., Shift
36	792073	Screw, Hex hd. taptite, 1/4-20X1-1/4
37	792089A	Key
38	792075	Nut, Lock, 5/16-24
39	792076	Washer, Flat, 5/16
40	792077	Ball, Steel, 5/16"
41	792078	Screw, Set, 3/8-16X3/8
42	792079	Spring
43	780108	Washer, Thrust
44	792001	"O" Ring

**WIRING DIAGRAM ILLUSTRATION
AND PARTS LIST**

**FACTORY MODEL NO. 4-25113X1C
CUSTOMER MODEL NO. MOM7101A4E**



D-4509

KEY NO.	PART NO.	DESCRIPTION
1	23665PA	Stop Switch & Key
2	21268	Grommet
3	24527	Limit Switch
4	32618	Tie Strap
5	24837	Wiring Harness
6	15X49Z	Hex Nut
8	21361	Control Module
9	19X1	Shakeproof Washer
10	26X185	Screw