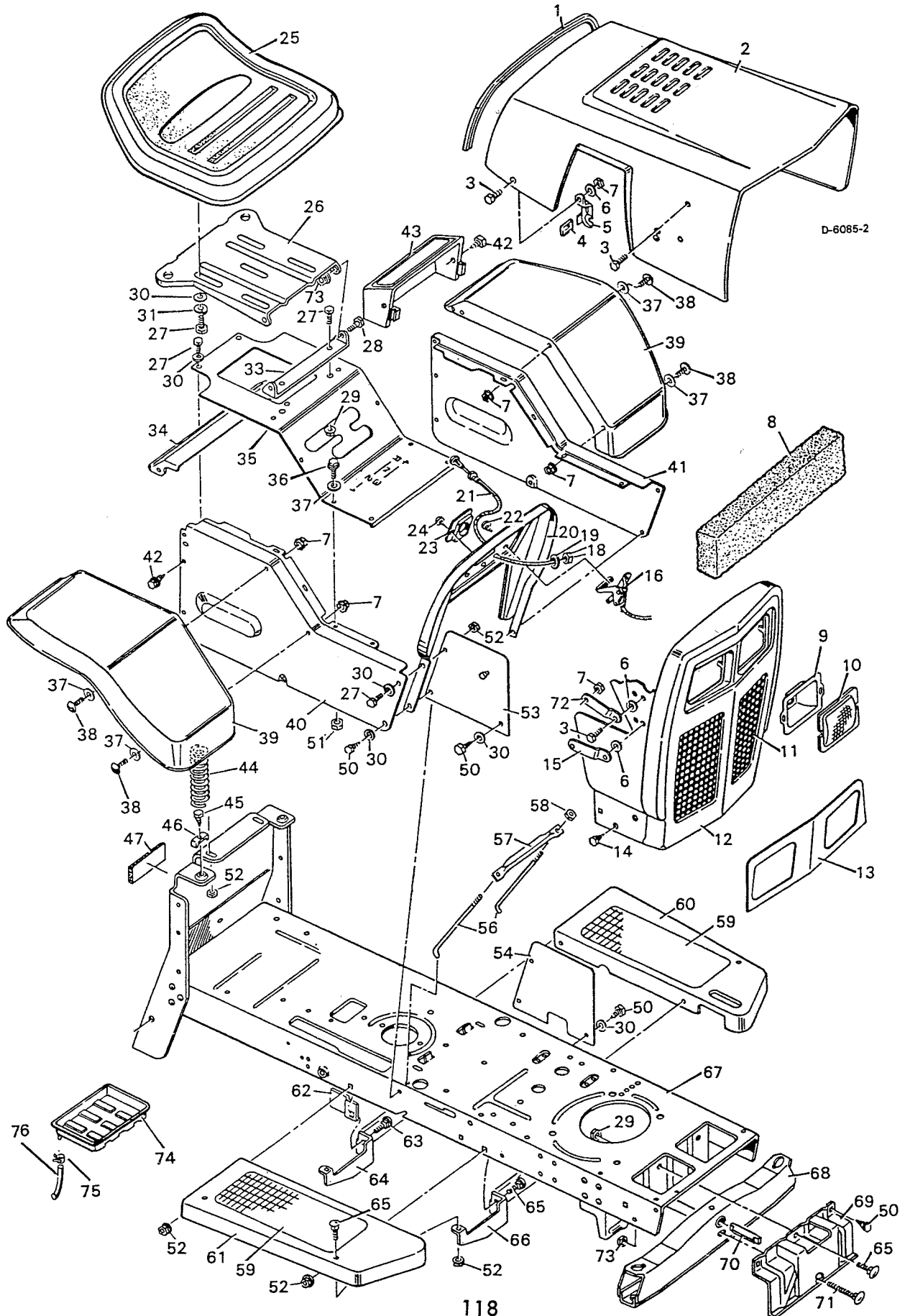


MODEL NO. 9-39004

18 H.P.

BODY & CHASSIS



**BODY & CHASSIS**

**18 H.P.**

**MODEL NO.  
9-39004**

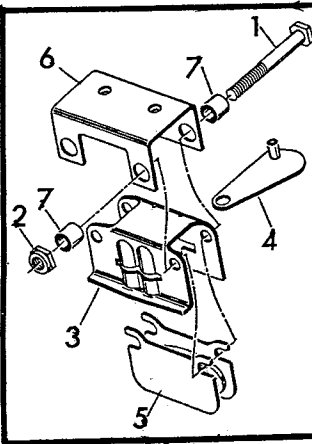
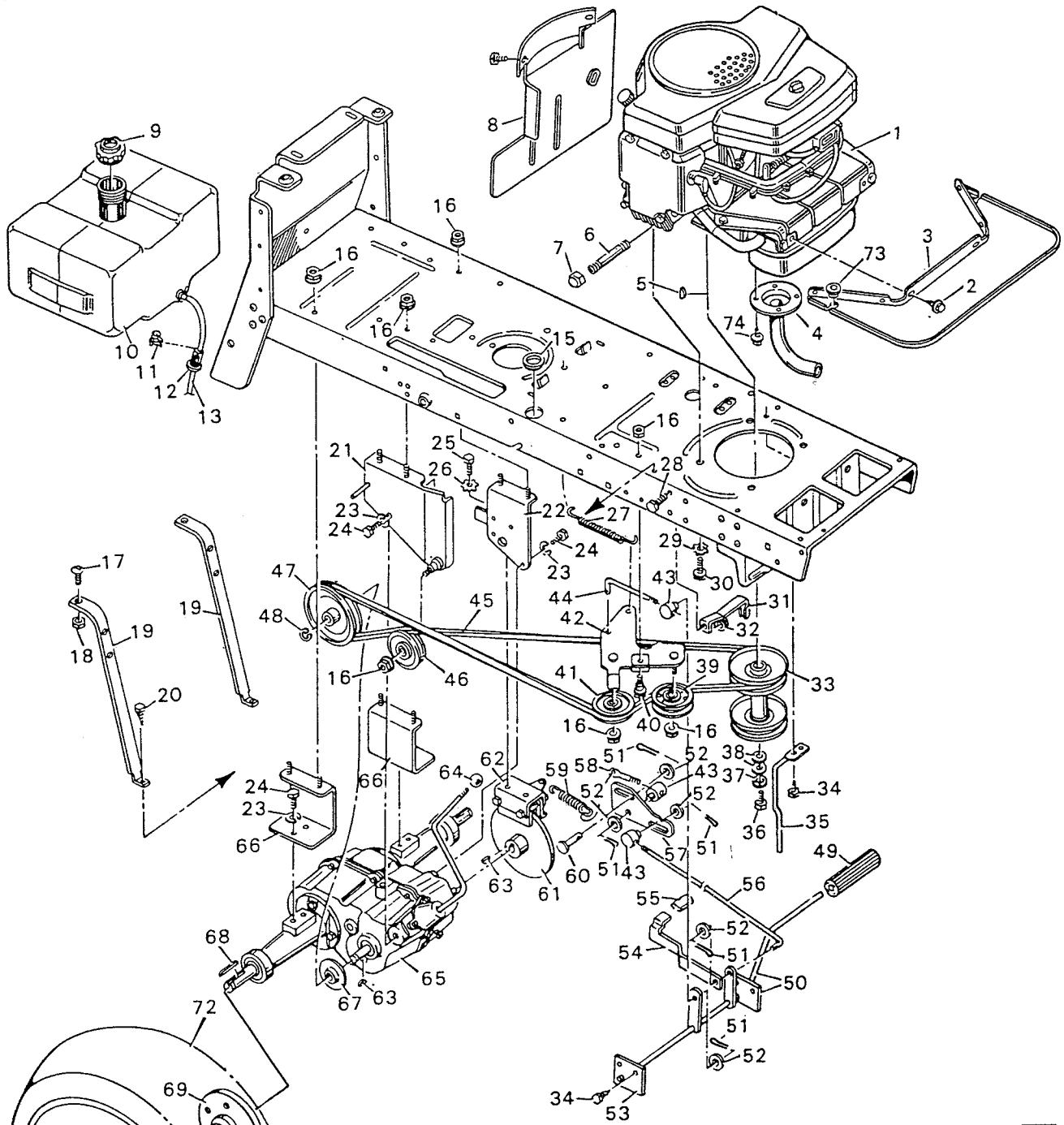
KEY NO.	DESCRIPTION	PART NO.	KEY NO.	DESCRIPTION	PART NO.
1	Edge Trim, Hood*	21765	40	Panel, Left Side	90661F200
2	Hood Assembly	24084F200	42	Screw, Tap	26x214
3	Screw, Machine No. 24x <sup>5</sup> / <sub>8</sub> "*	4x21Z	43	Cover, Battery	407310
4	Grip, Hood Latch*	21434	44	Seat Spring	164x17F200
5	Latch, Right Hood*	24081	45	Screw	26x49
—	Latch, Left Hood*	24080	46	Spring Retainer	90014F200
6	Washer*	17x17Z	47	Reflector, Rear	23069
7	Nut, Hex No. 10-24*	15x81	50	Screw	26x197
8	Baffle, Foam Heat	403154	51	Keps Nut 1/4"-20	15x66
9	Reflector, Headlight	90009C	52	Flange Nut 5/16"-18	15x79Z
10	Lens	90082	53	Right Side Plate	23292F200
11	Screen, Left Grille	24254E701	54	Left Side Plate	23293F200
—	Screen, Right Grille	24089E701	56	Rod, Battery Clamp	21762Z
12	Grille Assembly	90668F200	57	Clamp, Battery	21761Z
13	Trim, Headlight	90654C	58	Locknut, Flange 1/4"-20	15x82
14	Screw, Hex Head Tap	26x202	59	Mat, Running Board	91902
15	Pivot Bar*	23046	60	Left Running Board	23823F200
16	Throttle Control	91991	61	Right Running Board	23822F200
18	Nut, Hex 3/8"-24	15x33	62	Wiring Shield	24321F200
19	Lockwasher	18x31	63	Bolt, Carriage 5/16"-18x <sup>3</sup> / <sub>4</sub> "	2x64
20	Panel, Control	91580F200	64	Running Board Support Assembly	24253F200
21	Choke & Cable	23780	65	Bolt, Carriage 5/16"-18x5/8"	2x53
22	Screw, Tap	26x159	66	Running Board Support	24105F200
23	Bearing, Steering Post	21707	67	Frame Channel	402054
24	Screw, Tap	26x186	68	Front Axle Assembly	21441F200
25	Seat	91453	69	Axle Hanger Assembly	23845F200
26	Support, Seat	91295F200	70	Pivot Pin	21469
27	Bolt, Hex 5/16"-18x5/8"	1x45	71	Bolt, Carriage 3/8"-16x3"	2x60
28	Bolt, Shoulder	9x17	72	Pivot Bar Assembly*	23088
29	Locknut, Flange 5/16"-18	15x88	73	Locknut, Flange 3/8"-16	15x84
30	Washer	17x47Z	74	Tray, Battery	91895
31	Lockwasher	18x16	75	Clamp, Drain Tube	91565
33	Pivot Bracket, Seat	90663F200	76	Tube, Battery Drain	91566
34	Rear Insert	23026F200	—	Assembly Parts Bag, Tractor	91579
35	Panel, Top	90662E701	—	Assembly Parts Bag, Mower Deck	24494
36	Bolt, Hex <sup>1</sup> / <sub>4</sub> "-20x5/8"	1x38	—	Instruction Book, Tractor	F-89713
37	Washer	17x37Z	—	Repair Parts Book, Tractor	F-89710
38	Screw, Machine No. 24x <sup>3</sup> / <sub>4</sub> "	4x67	—	Instruction Book, Mower Deck	F-88716
39	Fender	23006F200			
40	Panel, Right Side	90660F200			

\* NOTE: Parts shown with an asterisk (\*) in the description are included when ordering key number 2.

**MODEL NO. 9-39004**

**18 H.P.**

**DRIVE SYSTEM**



KEY NO.	DESCRIPTION	PART NO.
1	Bolt, Hex	40200
2	Locknut	40200
3	Bracket	40200
4	Lever Assembly	40200
5	Stator Assembly	40200
6	Bracket	40200
7	Spacer	40200
-	Disc Brake, Complete	23019

**DRIVE SYSTEM**

**MODEL NO. 9-39004**

KEY NO.	DESCRIPTION	PART NO.	KEY NO.	DESCRIPTION	PART NO.
1	Engine***	---	40	Shoulder Bolt	9x12
2	Screw	25x2	41	Idler Pulley, Clutch	91178
3	Heat Baffle, Front	91571E701	42	Idler Bracket Assembly	24250
4	Exhaust Pipe Assembly	23743E701	43	Adjustable Nut	21920
5	Woodruff Key No. 6	20062	44	Clutch Rod	21918Z
6	Oil Drain Extension	23783	45	Drive Belt	37x26
7	Oil Drain Cap	21651	46	Backside Idler Pulley	23238
8	Heat Baffle, Rear	91372E701	47	Drive Pulley	23052
9	Fuel Cap	23787	48	Retainer Ring	11x5
10	Fuel Tank, Complete	23396	49	Pedal, Clutch & Brake	21544
11	Hose Clamp (Filter) Red	23713	50	Lever Assembly, Clutch & Brake	91333
	Hose Clamp Tank-Yellow	91174	51	Cotter Pin	30x20
12	Fuel Filter	24159	52	Washer	17x53Z
13	Fuel Line	23714	53	Support Bracket	23358
15	Grommet	21268	54	Parking Brake Arm	24245Z
16	Flange Locknut 3/8"-16	15x84	55	Grip, Parking Brake	24235
17	Carriage Bolt 1/4"-20x3/4"	2x67	56	Brake Rod	23728Z
18	Flange Locknut 1/4"-20	15x89	57	Link Plate, Brake	24432
19	Fuel Tank Support	24331E701	58	Adjuster Rod	23735Z
20	Screw	26x197	59	Spring, Brake	165x41
21	Right Front Transaxle Bracket	24244F200	60	Pin	108x16
22	Left Front Transaxle Bracket	23023F200	61	Disc & Hub Assembly	23013
23	Lockwasher	18x31	62	Disc Brake Unit	23019
24	Hex Bolt 3/8"-16x3/4"	1x85	63	Woodruff Key No. 9	20697
25	Hex Bolt 5/16"-24x5/8"	1x63	64	Knob, Shift Lever	20844
26	Star Washer	19x6	65	Transaxle** Peerless Model No. 2348A	---
27	Spring, Drive Idler	165x22	66	Rear Transaxle Bracket	23005F200
28	Hex Bolt 1/4"-20x5/8"	1x38	67	Extruded Washer	23041Z
29	Star Washer	19x8	68	Square Key 1/4"	24039
30	Hex Bolt, Engine Mount	25x6	69	Wheel Hub	23020
31	Belt Guide	23826Z	70	Retainer Ring	11x6
32	Keps Nut 1/4"-20	15x66	71	Hex Bolt 7/16"-20x1	1x80
33	Stack Pulley Assembly	23725Z	72	Wheel Only	407226
34	Screw	26x49	—	Tire Only: For 23x9.50-12*	407920
35	Belt Guide, Stack Pulley	23789Z	—	Tube Only	407051
36	Hex Bolt 3/8"-24x1"	1x20	—	Valve Stem & Cap	400162
37	Internal Tooth Lockwasher	19x39	73	Bushing	23857
38	Washer	10851Z	74	Screw No. 8x1/2"	26x203
39	Idler Pulley	91179			

\*NOTE: For replacement parts, always give the name on the tire so that the tread pattern will match.

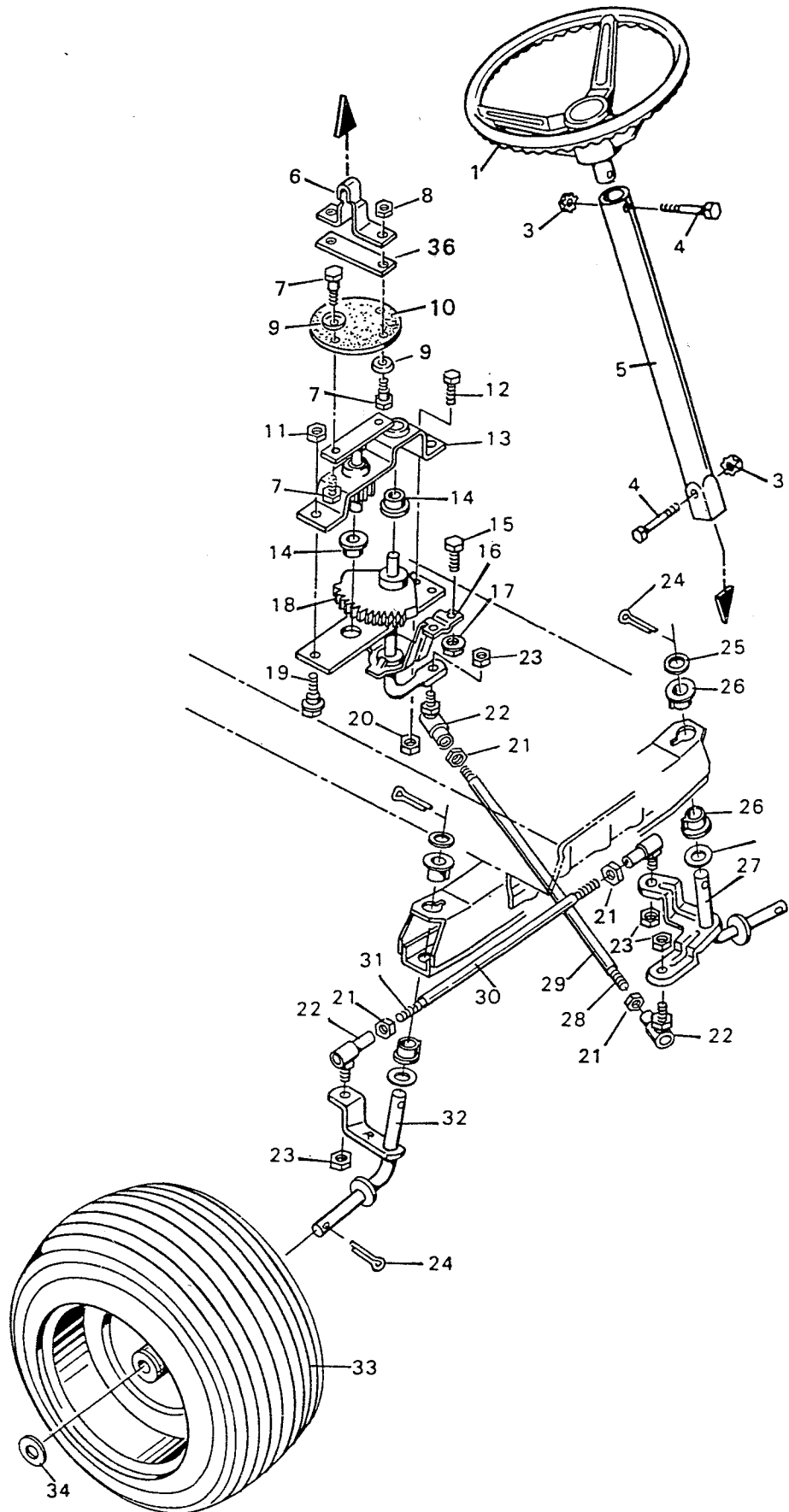
\*\*NOTE: Replacement parts for the transaxle are available from a Tecumseh Authorized Service Center. See the yellow pages under, "Engines, Gasoline" or "Gasoline Engines", in the telephone directory.

\*\*\*NOTE: The engine model, type, and code numbers are on the engine. Replacement parts for the engine are available from a Briggs & Stratton Authorized Service Center. See the yellow pages under, "Engines, Gasoline" or "Gasoline Engines", in the telephone directory.

MODEL NO. 9-39004

18 HP

STEERING PAIR

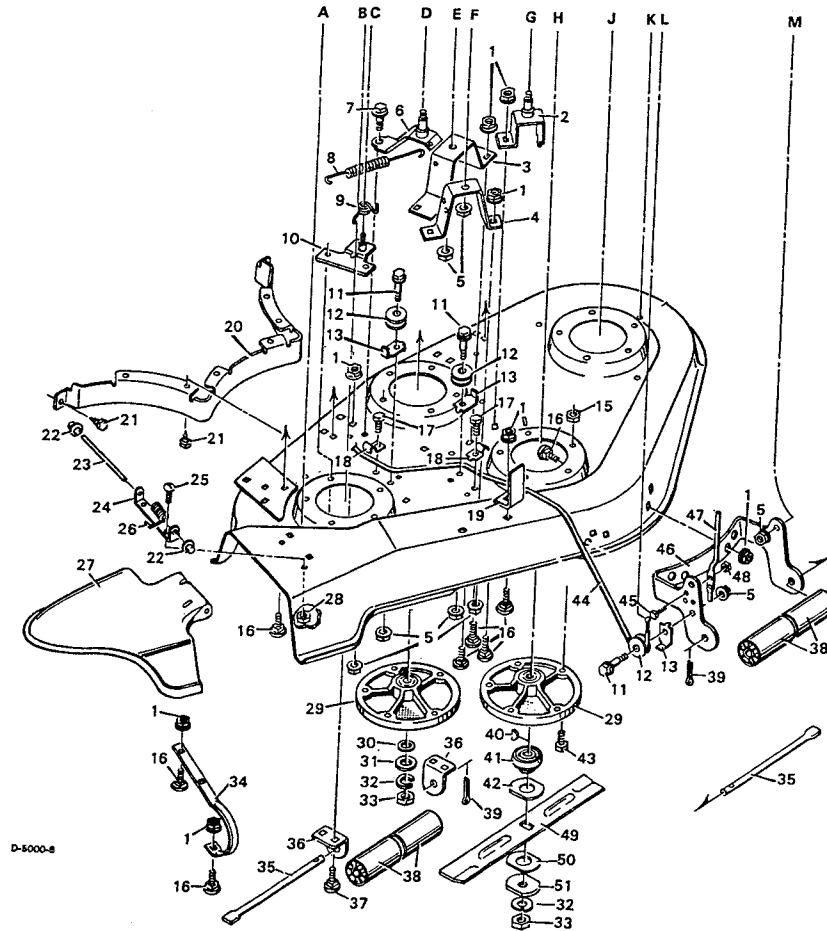


**STEERING PARTS****18 HP****MODEL NO. 9-39004**

KEY NO.	DESCRIPTION	PART NO.
1	Steering Wheel	91837
3	Keps Nut 5/16"-18	15x76
4	Hex Bolt 5/16"-18x1-3/4"	1x75
5	Steering Post	24345C
6	Upper Steering Coupling	21489F200
7	Shoulder Bolt	9x37
8	Flange Locknut 1/4"-20	15x89
9	Formed Washer	91530
10	Steering Disc	91529
11	Flange Locknut 3/8"-16	15x84
12	Hex Bolt 5/16"-15x5/8"	1x45
13	Steering Gear Bracket Assembly	21492F200
14	Bearing	20587
15	Hex Bolt 5/16"-15x5/8"	1x45
16	Steering Bracket	21693F200
17	Flange Locknut 5/16"-18	15x79
18	Steering Gear Assembly	21692F200
19	Hex Bolt 3/8"-16x3/4"	1x85
20	Flange Locknut 5/16"-18	15x88
21	Hex Nut	15x61
22	Steering Ball Joint	21031
23	Flange Locknut 3/8"-24	15x87
24	Cotter Pin	30x49
25	Washer	17x83Z
26	Spindle Bearing	23820
27	Left Spindle Assembly	23149F200
28	Drag Link Rod	21482F200
29	Sleeve, Drag Link Rod - 10" Long	156x1F200
30	Sleeve, Tie Rod - 14" Long	156x2F200
31	Tie Rod	21475F200
32	Right Spindle Assembly	23148F200
33	Wheel Only	24413
-	Tire Only*	24410
-	Valve Stem & Cap	24373
-	Wheel Bearing	91334
-	Tire Tube	407048
34	Washer	17x83Z
36	Coupling Plate	21490F200

\*NOTE: For replacement parts, always give the name on the side of the tire so that the tread pattern of the tires will match.

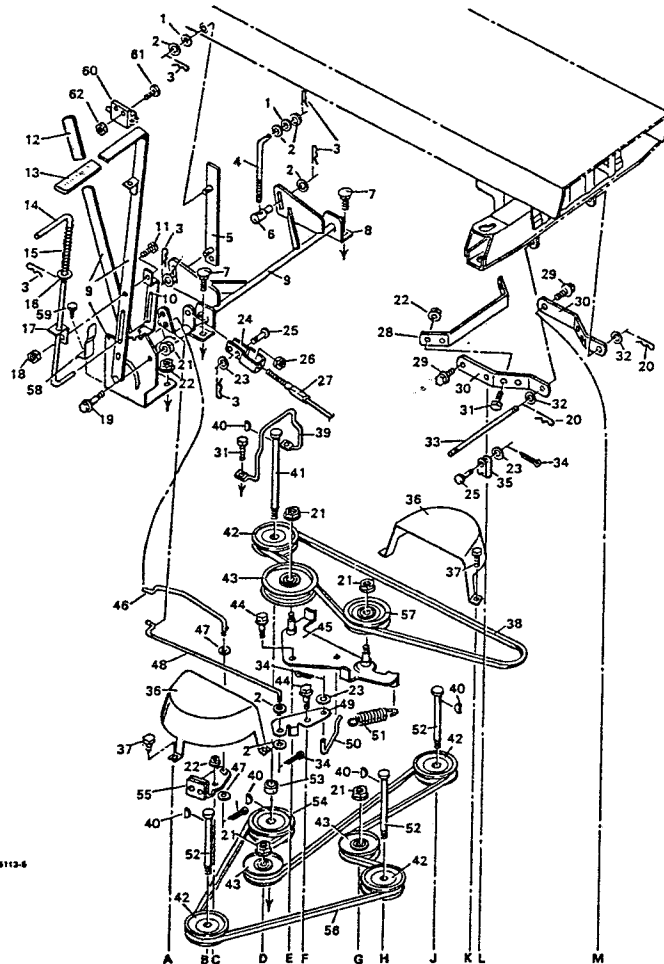
## 42" MOWER HOUSING ILLUSTRATION FOR 9-38219, 9-38211, 9-38222, 9-39004



KEY NO.	DESCRIPTION	PART NO.	KEY NO.	DESCRIPTION	PART NO.
1	Nut, Flange 5/16"-18	15x79	27	Deflector, Mower Housing	23224
2	Idler Assembly, Fixed	23177	28	Locknut, Hex No. 10-24	15x81
3	Support, Idler*	23240	29	Housing, Mandrel	90905
4	Support, Engagement Link	23241	30	Washer	17x140
5	Locknut, Flange 3/8"-16	15x84	31	Washer	17x141
6	Idler Assembly, Cross Drive	23178Z	32	Lockwasher	18x27
7	Bolt, Shoulder 3/8"-16x7/8"	9x15	33	Nut, Hex 1/2"-20	15x72
8	Spring, Cross Drive	165x60	34	Skid	24070
9	Spring, Blade Brake Torsion	166x29	35	Axle, Roller	23186Z
10	Bracket & Pin Assembly	91591Z	36	Support, Rear Roller	23208
11	Bolt, Shoulder 3/8"-16	9x13	37	Bolt, Carriage 5/16"-18x2-5/8"	2x53
12	Pulley, Nylon	23187	38	Roller	23203
13	Guide, Cable	23191Z	39	Pin, Cotter	30x49
15	Locknut, Flange 5/16"-18	15x88	40	Key, Woodruff No. 6	20062
16	Bolt, Carriage 5/16"-18x3/4"	2x64	41	Adapter, Blade	54211
17	Screw, Tap	26x214	42	Washer	24614Z
18	Guide, Cable	21953Z	43	Bolt, Hex 5/16"-18x3/4"	1x84
19	Deck Stop	23782	44	Cable, Lifter	24470
20	Baffle, Mower Housing	23207	45	Bolt, Hex 1/4"-20x7/8"	1x76
21	Screw	26x195	46	Support, Front Roller	24009
22	Cap, Push On	28x23	47	Guide, Curved Belt	24071Z
23	Rod, Deflector	23173Z	48	Locknut, Flange 1/4"-20	15x89
24	Bracket, Deflector	23172	49	Blade (3 required)	24458HT
25	Screw, Machine No. 10-24x5/8"	4x21	50	Washer	21673Z
26	Spring, Torsion	166x4	51	Washer, Blade	20663Z
			-	Housing Complete, Mower	403134

# 42" MOWER HOUSING ILLUSTRATION

## 9-38219, 9-38211, 9-38222, 9-39004



F-88718

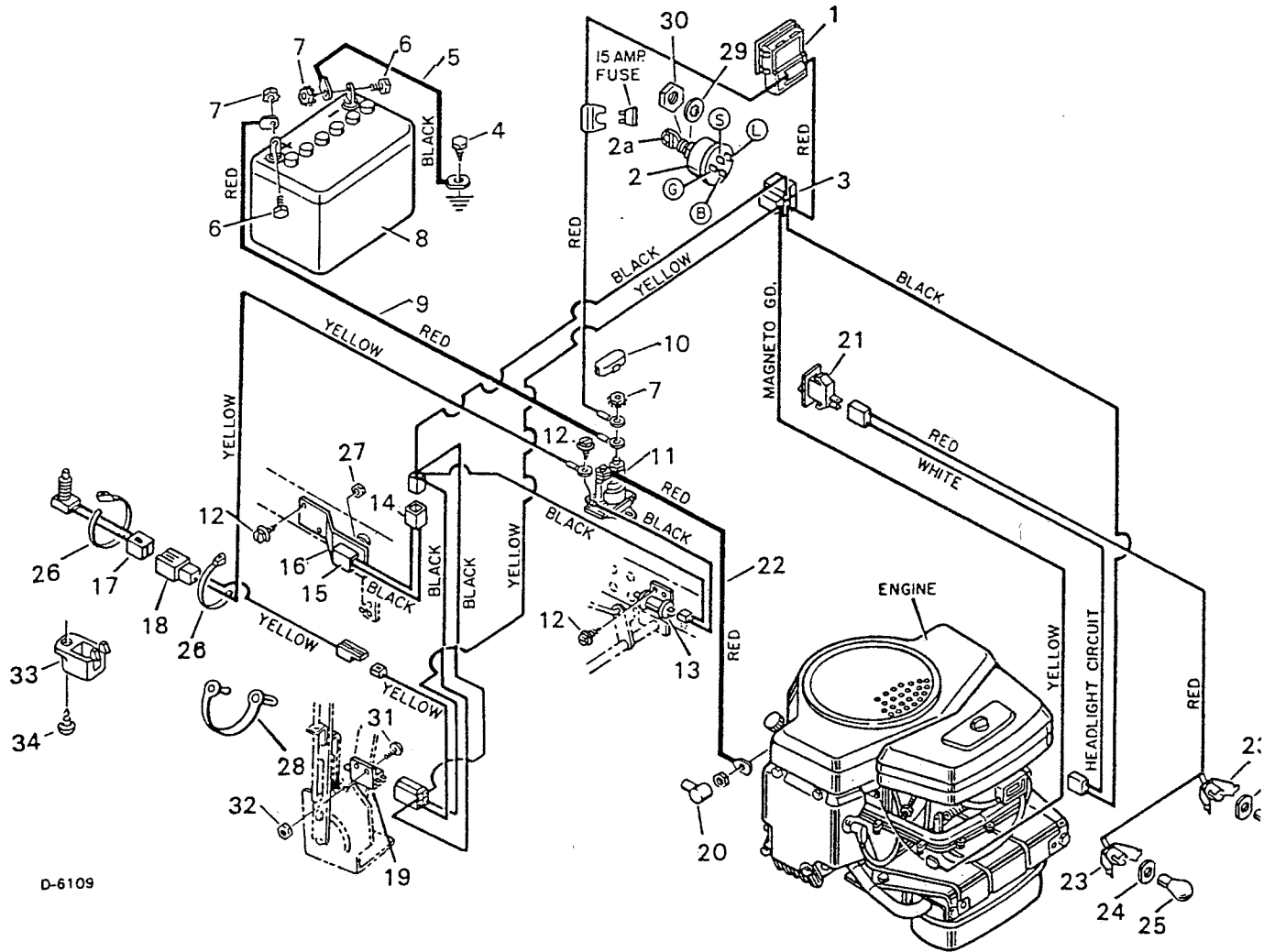
KEY NO.	DESCRIPTION	PART NO.	KEY NO.	DESCRIPTION	PART NO.
1	Washer	10851Z	28	Brace, Hanger	24472
2	Washer	17x124	29	Bolt, Shoulder	9x14
3	Pin, Hair	31x6	30	Arm, Support	23185
4	Rod, Adjuster 7-5/16" Long — For 23 inch Diameter Rear Wheels	23824	31	Bolt, Hex 5/16"-18x1"	1x84
4a	Rod, Adjuster 6-1/4" Long — For 18 to 20 inch Diameter Rear Wheels	23275Z	32	Washer	17x57Z
5	Bracket, Right Hanger 6-3/8" Long** — For 23 inch Diameter Rear Wheels	23204Z	33	Pin, Pull	21912Z
5a	Bracket, Right Hanger 5-1/2" Long** For 18 to 20 inch Diameter Rear Wheels	23188Z	34	Pin, Cotter	30x20
6	Nut, Adjustable	21920	35	Clevis	24073
7	Bolt, Carriage*	2x64	36	Cover, Pulley	23231
8	Support, Lifter*	23184	37	Screw, Tap	26x214
9	Lifter Assembly*	91482	38	Belt, Blade Drive	37x40
10	Bracket, Guide	23192	39	Guide, Belt	23751Z
11	Bolt, Hex 1/4"-20x7/8"	1x95	40	Key, Woodruff No. 6	20062
12	Grip, Engagement Lever	91573	41	Mandrel	23180
13	Grip, Lifter Latch	23222	42	Pulley, Mandrel	20615
14	Latch, Lifter	23194Z	43	Pulley, Backside Idler	23238
15	Spring, Lifter	164x4	44	Bolt, Shoulder 3/8"-16x7/8"	9x12
16	Washer	17x53	45	Idler Assembly, Blade Drive	23179
17	Bracket, Lifter Guide	23193Z	46	Rod, Brake	91593Z
18	Nut, Keps 1/4"-20	15x66	47	Washer	17x46
19	Bolt, Shoulder 3/8"-16	9x13	48	Rod Assembly, Link	23232Z
20	Pin, Hair	31x6	49	Link, Engagement	23226Z
21	Locknut, Flange 3/8"-16	15x84	50	Rod, Engagement Link	23228Z
22	Locknut, Flange 5/16"-18*	15x88	51	Spring, Blade Drive	165x43
23	Washer	17x47Z	52	Mandrel, Short	20616
24	Clevis, Adjusting	24471Z	53	Spacer	23213Z
25	Pin, Clevis	29x93	54	Pulley, Mandrel	23739
26	Nut, Hex 5/16"-18	15x2	55	Pad Assembly, Brake	91592
27	Cable, Lifter	24470	56	Belt, Cross Drive	37x22
			57	Pulley, Idler	23211
			58	Spring, Actuator	91480
			59	Screw	25x2
			60	Switch, Limit	91299
			61	Screw, Machine #10-24x5/8"	3x141
			62	Nut, Hex #10-24	15x102

\*\* NOTE: These parts are measured from weld pin to weld pin.



**MODEL NO. 9-39004**

**WIRING DIAGRAM**



D-6109

KEY NO.	DESCRIPTION	PART NO.	KEY NO.	DESCRIPTION	PART NO.
1	Ammeter Assembly	90729	16	Leaf Spring, Switch	91561
2	Switch, Ignition	21064	17	Switch, Seat Sensor	91031SE
2a	Key Only	20729	18	Wire Harness -Seat Switch	250x10
—	Fuse, Auto Type	54212	19	Switch, Mower Housing	91299
—	Holder, Fuse	407078	20	Boot Cable	24196
3	Wire Harness	250x9	21	Switch, Light	90647
4	Screw	26x49	22	Cable (Solenoid to Engine)	24x13
5	Cable, Battery Ground	24x6	23	Socket Assembly, Light	90155
6	Bolt, Hex 1/4"-20x5/8"	1x38	24	Washer, Light Socket	90228
7	Nut, Keps 1/4"-20	15x66	25	Bulb, Lamp	90084
8	Battery U1-9	21075	26	Strap, Tie	32618
—	Acid, Battery (Electrolyte)	90665	27	Nut, Hex 3/8"-24	15x33
9	Cable, Battery (Solenoid to battery)	24x25	28	Clamp, Wire	21980
10	Cover, Solenoid	56049	29	Washer, Ignition Switch	19x40
11	Solenoid	24285	30	Nut, Hex	15x105
12	Screw, No. 10 x 1/2"	26x233	31	Screw, Machine #10-24x5/8"	3x141
13	Switch, Clutch Limit	21549	32	Nut, Hex #10-24	15x102
14	Switch, Attachment	91070	33	Cover, Seat Switch	56062
15	Shield, Switch	91071	34	Screw	26x159