

BY

FRAME & BODY

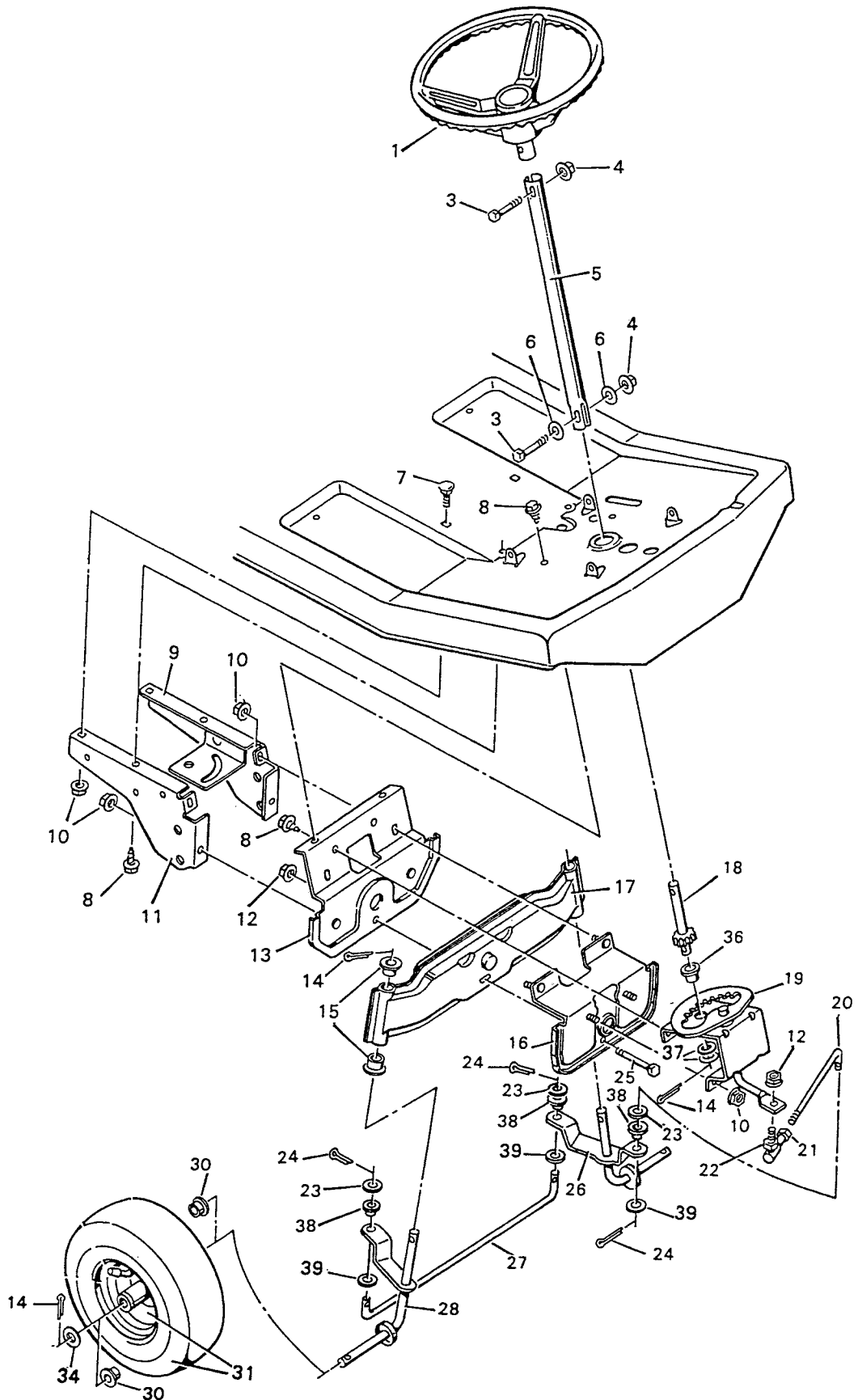
MODEL NO. 9-25501C

KEY NO.	DESCRIPTION	PART NO.
1	Seat	91446
2	Washer	17x47Z
3	Bolt, Hex	1x45
5	Screw	26x49
6	Bracket, Seat	55770F200
7	Washer	18x16
8	Seat Support	55741F200
13	Engine*	- - - -
16	Washer, Shakeproof	19x8
17	Bolt, Engine Mount	25x6
18	Woodruff Key #6	20062
19	Control & Cable	91993
20	Rear Body Assembly, without light	55679E700
21	Nut, Tinnerman ¼"-20	28x18
22	Frame Channel	55940F200
24	Screw	26x201
27	Screw, Tapping	26x159
28	Screw, Tapping	26x214
30	Bushing	21268
31	Bolt, Hex ¼"-20x ⁵ / ₈ "	6x74
32	Mat, Right Running Board	56106
33	Mat, Left Running Board	56107
34	Console Plate	55023F200
35	Bearing, Steering Post	56022
36	Console Assembly, without light	55931F200
39	Screw, Machine ¼"-20x½"	4x24
40	Washer	19x6
47	Rear Body Support	55017F200
48	Screw	1x74
50	Locknut, Stover	15x90Z
51	Console Tray, Optional	55212
--	Assembly Parts Bag	55926
--	Instruction Book	F-89503
--	Repair Parts Book	F-89500
--	Decal Rear Body Right	58x852
--	Decal Rear Body Left	58x853
--	Decal Console Right	43x278
--	Decal Console Left	53x277

* The engine model, type, and code numbers are on the engine. All parts to the engine are available from a Briggs & Stratton Authorized Service Center. See "Engines, Gasoline" or "Gasoline Engines" in the yellow pages of the telephone directory.

MODEL NO. 9-25501C

STEERI



STEERING

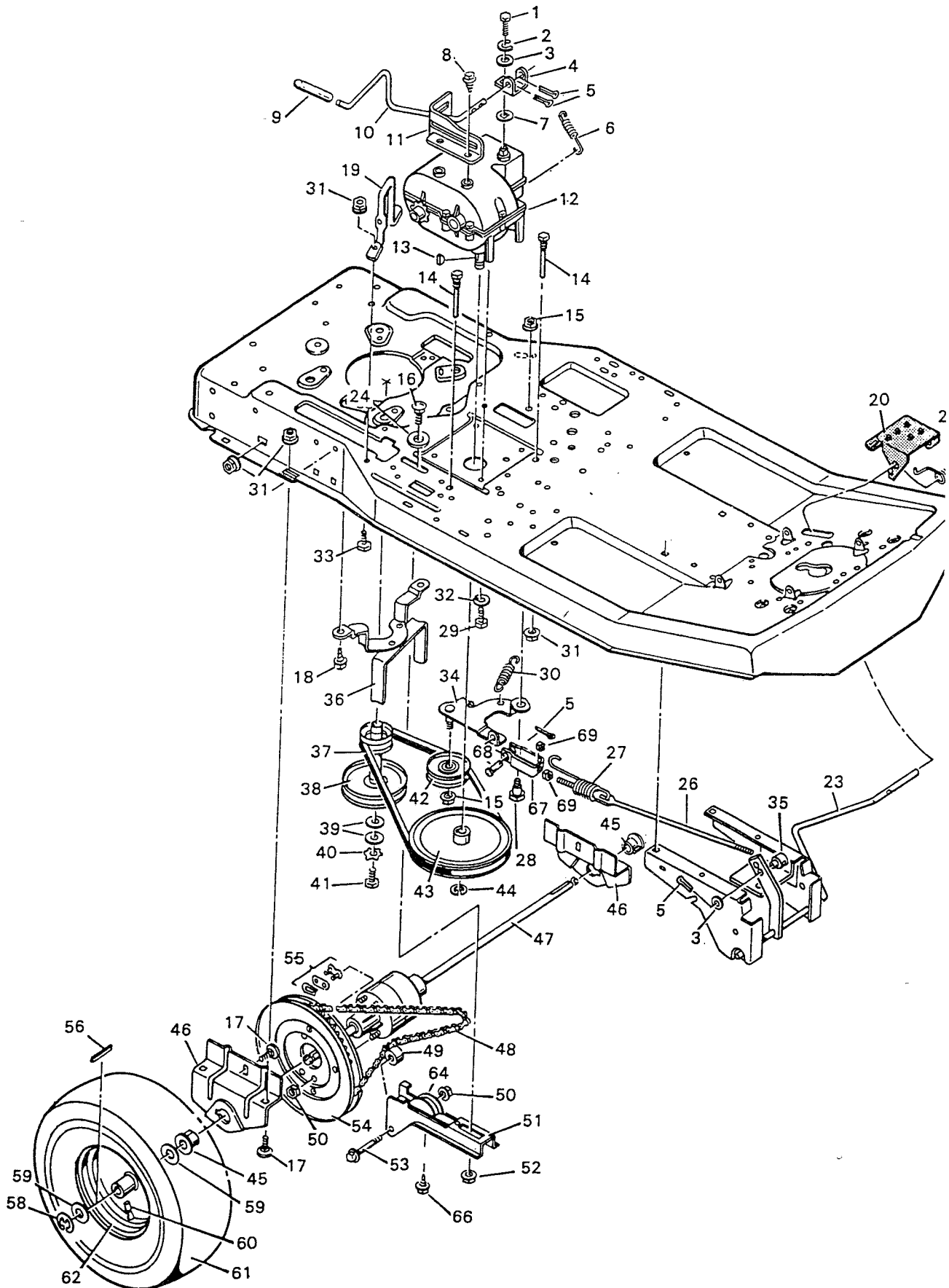
MODEL NO. 9-25501C

KEY NO.	DESCRIPTION	PART NO.
1	Steering Wheel	91836
3	Hex Bolt $\frac{5}{16}$ "-18x1 $\frac{1}{2}$ "	1x102
4	Locknut, Flange $\frac{5}{16}$ "-13	15x88
5	Steering Post	91444C
6	Washer	17x47Z
7	Carriage Bolt $\frac{5}{16}$ "-18x $\frac{5}{8}$ "	2x64
8	Screw, Tapping	26x49
9	Suspension Plate, Left	55385F200
10	Hex Nut, Flange	15x79Z
11	Suspension Plate, Right	56023F200
12	Locknut, Flange $\frac{3}{8}$ "-24	15x87Z
13	Front Axle Support Assembly	55937F200
14	Cotter Pin	30x49
15	Spindle Bearing	55003
16	Front Axle Hanger Assembly	55655F200
17	Front Axle Assembly	55024F200
18	Pinion Gear	56057
19	Sector Assembly	55746F200
20	Drag Link	55046F200
21	Hex Nut $\frac{3}{8}$ "-24	15x61Z
22	Steering Ball Joint	21031
23	Washer	17x53Z
24	Cotter Pin	30x20
25	Hex Bolt $\frac{3}{8}$ "-24x2 $\frac{3}{8}$ "	1x69
26	Left Spindle Assembly	55381F200
27	Tie Rod	55026F200
28	Right Spindle Assembly	55380F200
30	Bearing	56105
31	Wheel & Tire Assembly**	54249
34	Washer	24583
36	Bearing	55168
37	Washer	17x87
38	Bushing, Nylon	55547
39	Washer	17x161

** When you order a tire, make sure to give the brand name of the tire so that the tread pattern on the tire will match.

MODEL NO. 9-25501C

MOTION DRI



MOTION DRIVE

MODEL NO. 9-25501C

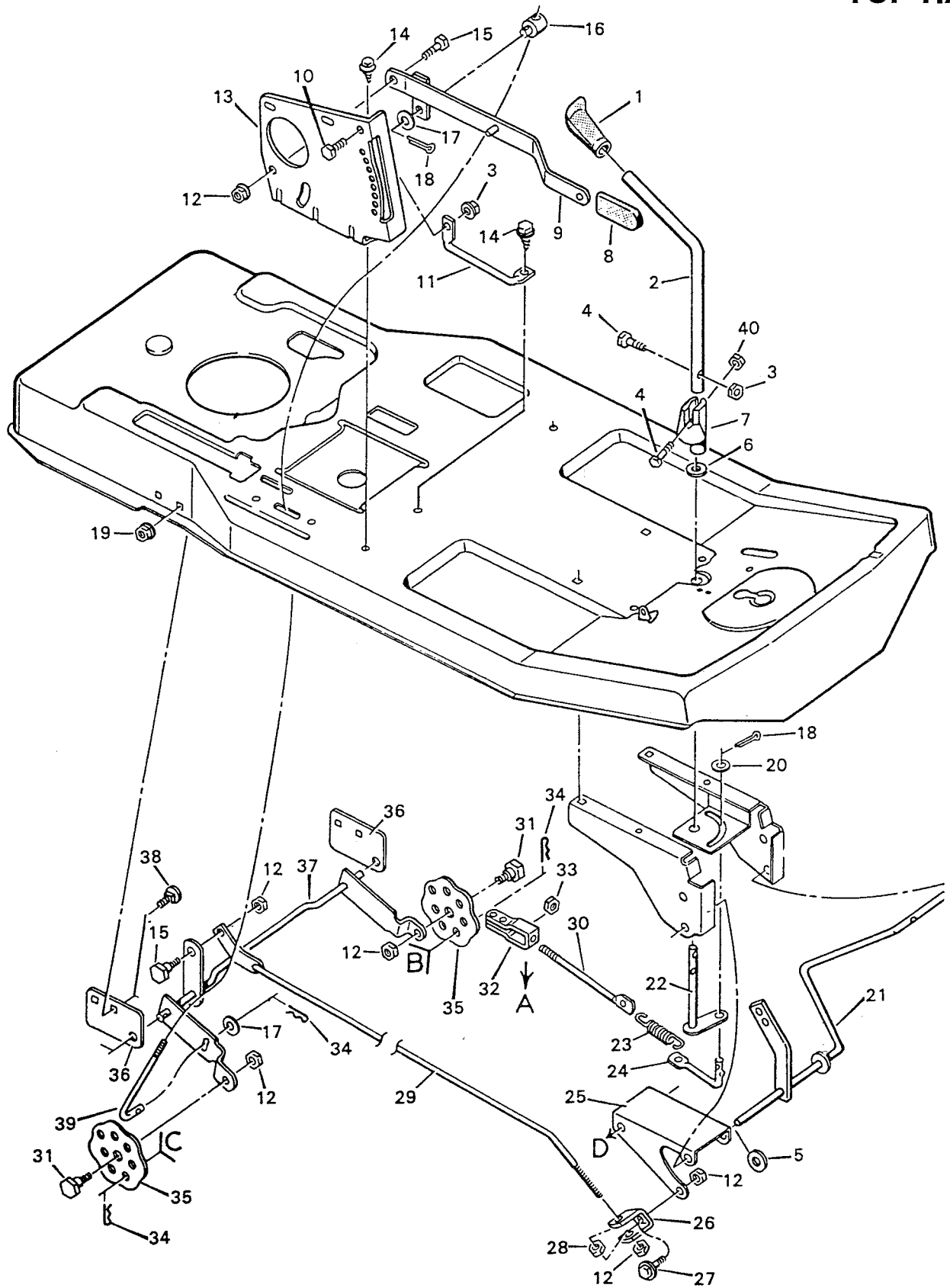
KEY NO.	DESCRIPTION	PART NO.	KEY NO.	DESCRIPTION	PART NO.
1	Hex Bolt 1/4"-20x5/8"	1x82	35	Adjustable Nut	55002
2	Spring Lockwasher	18x32	36	Belt Guide Assembly	55053Z
3	Washer	17x37Z	37	Drive Belt, Traction	37x38
4	Transmission Yoke	55262Z	38	Stack Pulley Assembly	55112Z
5	Cotter Pin	30x20	39	Washer	10851Z
6	Extension Spring, Brake Return	165x28	40	Washer	19x39
7	Washer	17x148	41	Hex Bolt 7/16"-20x1"	1x20
8	Screw, Tapping	26x207	42	Idler Pulley	91178
9	Grip	55321	43	Pulley, Transmission	55101
10	Shift Lever	55121Z	44	Retainer Ring	11x7
11	Transmission Gate	56128Z	45	Axle Bearing, Flange	55597
12	Transmission, J.B. Foote		46	Bracket, Rear Axle	55063F200
13	Woodruff Key #9	20697	47	Differential, Peerless 100-055	
14	Guide Screw	20619	48	Roller Chain	55114
15	Locknut, Flange 3/8"-16	15x84	49	Roller**	90176
16	Carriage Bolt 3/8"-16x3/4"	2x56	50	Locknut, Flange 5/16"-18**	15x88
17	Carriage Bolt 5/16"-18x5/8"	2x53Z	51	Chain Adjustment Bracket	55194F200
18	Screw, Tapping	26x49	52	Hex Nut, Flange 3/8"-16	15x68Z
19	Chain Guide	55264Z	53	Shoulder Bolt 5/16"-18x1.72***	9x22
20	Pedal, Clutch/Brake	55395E701	54	Sprocket & Chain Guard, 40-T	55761
21	Torsional Spring, Pedal	166x18	55	Connecting Link	407059
23	Lever Assembly, Brake/Clutch	55656F200	56	Key, Square 3/16"	21553
24	Washer	17x67Z	58	E-Ring	11x3
25	Washer	17x47Z	59	Washer	17x115
26	Rod, Brake/Clutch	55737Z	60	Valve Stem & Cap	24373
27	Extension Spring, Brake	165x51	61	Tire Only*	24379
28	Shoulder Bolt 3/8"-16x7/8"	9x30	62	Wheel Only	91631E804
29	Screw	26x207	64	Guide Block**	23403
30	Extension Spring, Clutch	165x39	66	Screw, Tapping**	26x214
31	Hex Nut, Flange 5/16"-18	15x79Z	67	Clevis	21915Z
32	Lockwasher	18x15	68	Clevis Pin	29x99
33	Hex Bolt 5/16"-18x5/8"	1x45	69	Hex Nut	15x2
34	Idler Arm Assembly	55067Z			

* For replacement parts, always give the name on the side of the tire so that the tire pattern will be the same.

** These parts are included with the chain adjusting bracket, Key No: 51.

MODEL NO. 9-25501C

MOWER HOUSING
TOP HALF

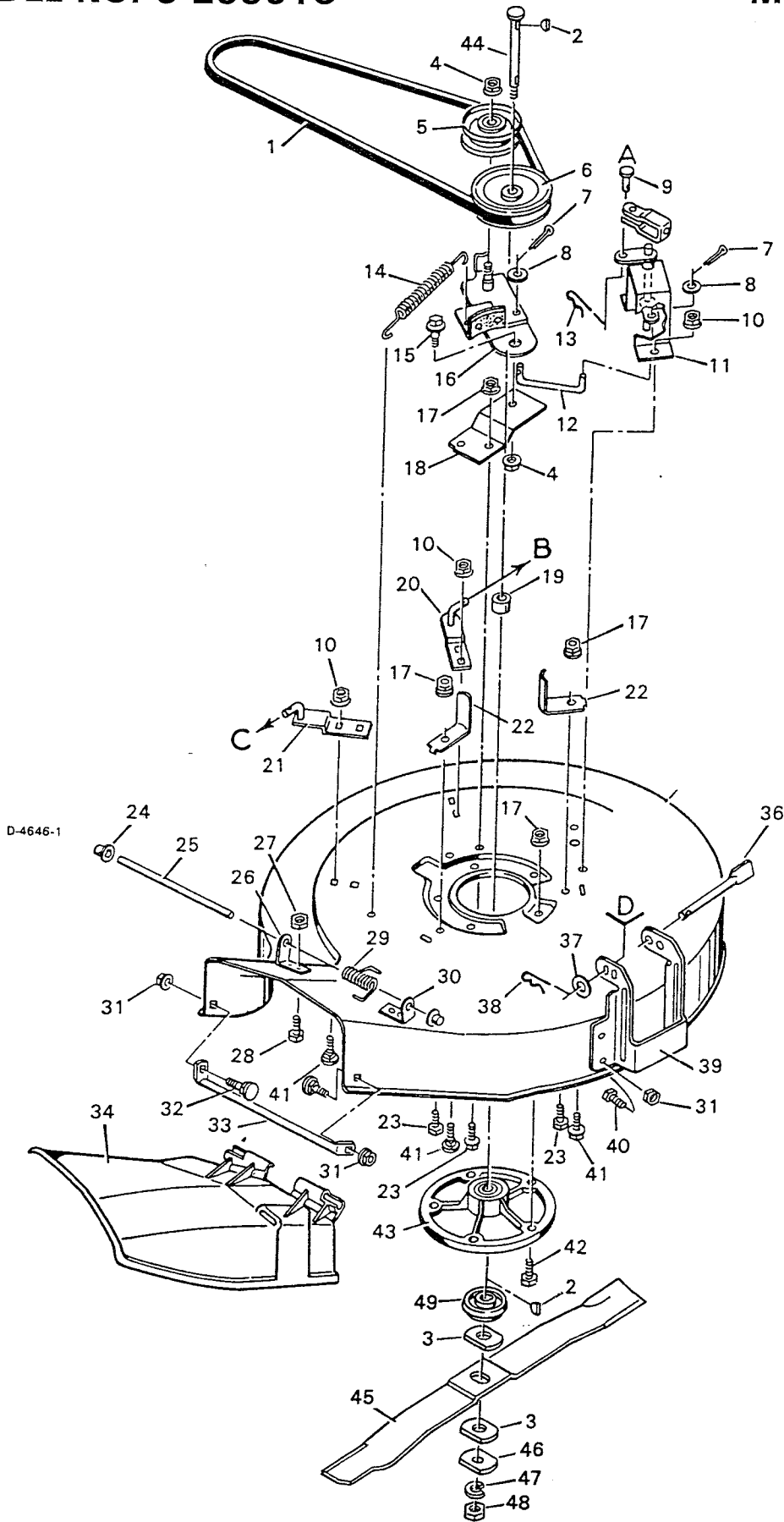


**MOWER HOUSING
TOP HALF**
MODEL NO. 9-25501C

KEY NO.	DESCRIPTION	PART NO.
1	Grip, Blade Control Lever	55449
2	Lever, Blade Control	55927Z
3	Locknut, Flange ¼"-20	15x89
4	Bolt, Hex ¼"-20	1x76
5	Washer	17x122Z
6	Washer	17x67Z
7	Cam, PTO	55853
8	Grip, Lifter	91573
9	Lever Assembly, Lifter	56031F200
10	Bolt, Hex ¼"-20x ³ / ₈ "	1x38
11	Strut	55348F200
12	Locknut, Flange ³ / ₈ "-16	51x84
13	Plate, Index	55365F200
14	Screw	26x49
15	Bolt, Shoulder ³ / ₈ "-16	9x9Z
16	Nut, Adjuster	21920
17	Washer	17x53Z
18	Pin, Cotter	30x20
19	Nut, Hex Flange ⁵ / ₁₆ "-18	15x88
20	Washer	17x48
21	Lever Assembly	55656F200
22	Rod & Arm Assembly	55929F200
23	Spring, Extension	165x7
24	Link, Front Deck	55179F200
25	Bracket, Front Suspension	55139F200
26	Clevis	55298F200
27	Bolt, Shoulder ³ / ₈ "-16	9x17
28	Nut, Hex Jam ³ / ₈ "-16	15x73
29	Rod Assembly	55283F200
30	Link	55219Z
31	Bolt, Shoulder	9x4
32	Clevis, Adjuster	21915Z
33	Nut, Hex ⁵ / ₁₆ "-18	15x2
34	Hairpin	31x4
35	Plate, Adjuster	55344E701
36	Plate, Mounting	55270F200
37	Rod Assembly, Suspension	55346F200
38	Bolt, Carriage	2x64
39	Rod, Lifter	24839F200
40	Nut, Locknut	15x66

MODEL NO. 9-25501C

MOWER HOUS



G
MOWER HOUSING
MODEL NO. 9-25501C

KEY NO.	DESCRIPTION	PART NO.
1	Belt, Blade Drive	37x12
2	Key, Woodruff	20062
3	Washer	21673Z
4	Locknut $\frac{3}{8}$ "-16	15x84
5	Pulley, Idler	91178
6	Pulley	23538
7	Pin, Cotter	30x20
8	Washer	17x53Z
9	Pin, Clevis	29x99
10	Locknut $\frac{5}{16}$ "-18	15x79
11	Pivot Rod and Arm Assembly	55071E701
12	Idler Link	55094Z
13	Pin, Hair	31x6
14	Spring, Extension	165x43
15	Bolt, Shoulder	9x15
16	Blade Idler Assembly	55077E701
17	Locknut $\frac{5}{16}$ "-18	15x88
18	Bracket, Idler Support	55095E701
19	Spacer	24533Z
20	Hanger Assembly, Left Rear	55340E701
21	Hanger Assembly, Right Rear	55339E701
22	Belt Guide	55096Z
23	Bolt, Hex $\frac{5}{16}$ "-18x $\frac{5}{8}$ "	1x45
24	Cap, Push On	28x23
25	Rod, Deflector	21197Z
26	Bracket, Rear Deflector	21181E701
27	Nut, Hex #10-24	15x51
28	Screw, Machine #10-24x $\frac{5}{8}$ "	4x21
29	Spring, Torsional	166x4
30	Bracket, Front Deflector	21186E701
31	Locknut $\frac{1}{4}$ "-20	15x89
32	Bolt, Carriage	2x39
33	Horn Guard	20581E701
34	Chute Deflector	56091
36	Pin	55142Z
37	Washer	17x67Z
38	Pin, Hair	31x4
39	Bracket, Front	55302E701
40	Bolt, Hex $\frac{1}{4}$ "-20x $\frac{5}{8}$ "	1x38
41	Bolt, Carriage	2x53
42	Bolt, Hex $\frac{5}{16}$ "-18x1"	1x84
43	Mandrel Housing	90905
44	Mandrel	24578
45	Blade, 25"	20083HT
46	Washer	20663Z
47	Lockwasher	18x27
48	Hex Nut	15x72
49	Adapter, Blade	54211
1-49	Mower Housing, Complete	403207

