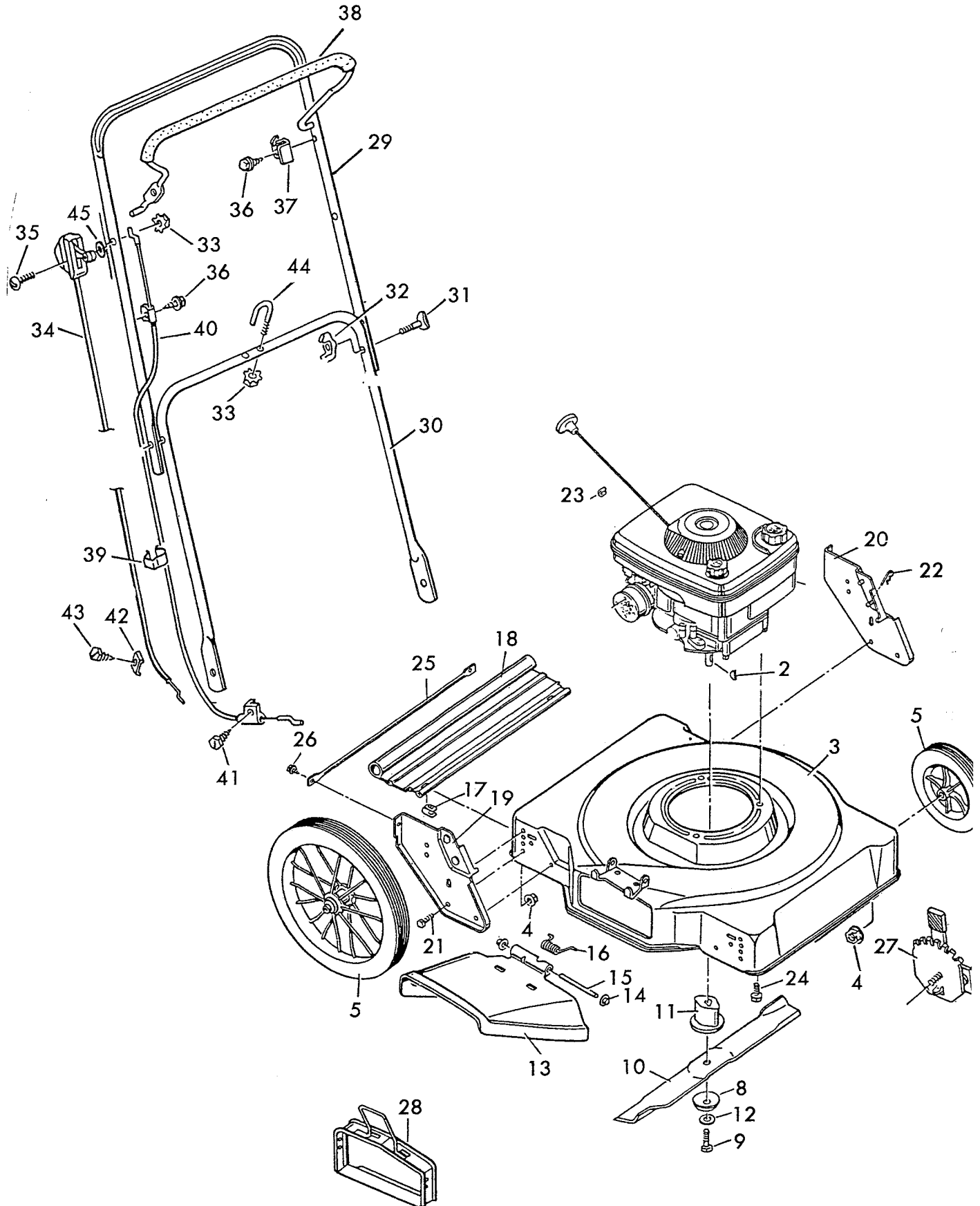


MODEL NO. 9-22541
4 HP MAX BRIGGS & STRATTON

22" MOWER INSTALLATION



22" MOWER PARTS LIST**MODEL NO. 9-22541**

KEY NO.	DESCRIPTION	PART NO.
1	Engine*	----
2	Woodruff Key	20062
3	Housing	70102
4	Nut, Hex	15X68Z
5	Wheel and Tire, Front	43273
	Wheel and Tire, Rear	70106
	Rear Wheel Bearing	043407
8	Washer, Blade	17X137
9	Bolt, Hex	1X68
10	Blade	20046HT
11	Blade Adapter	42734
12	Washer	17X124
13	Deflector, Chute	42919
14	Push On Cap	28X42
15	Pin, Pivot	215X11Z
16	Spring	166X5
17	Retainer	42743
18	Deflector, Rear	43405
19	Bracket, Right Wheel	43398
20	Bracket, Left Wheel	43399
21	Bolt, Hex	1X85
22	Pin, Hair	31X5
23	Stop, Rope	42189
24	Bolt, Engine	25X6
25	Brace	43404
26	Screw	26X214
27	Height Adjuster	----
	Right Front	401008
	Left Front	401007
	Right Rear	401019
	Left Rear	401018
	Grip	43394
28	Frame Assembly, Grass Bagger #9-24065	43248Z
29	Handle, Upper - Standard	43311E701
30	Handle, Lower	43395E701
31	Bolt	6X73
32	Wing Nut	14X83
33	Locknut	15X66
34	Throttle Control	42877
35	Bolt	3X140
36	Screw	26X220
37	Stop	42765V701
38	Lever, Engine Stop	43304
39	Cable Tie	43525
40	Engine Stop Cable	42943
41	Screw	26X234
42	Clamp	42294
43	Screw	26X237
44	U Bolt	42896
45	Washer	17X32Z
46	Nut Hex	15X84
	Parts Bag	43465
	Instruction Book	F-89405

* The engine model, type, and code numbers are on the engine. All parts to the engine are available from a Briggs & Stratton Authorized Service Center. See "Engines, Gasoline" or "Gasoline Engines" in the yellow pages of the telephone directory.