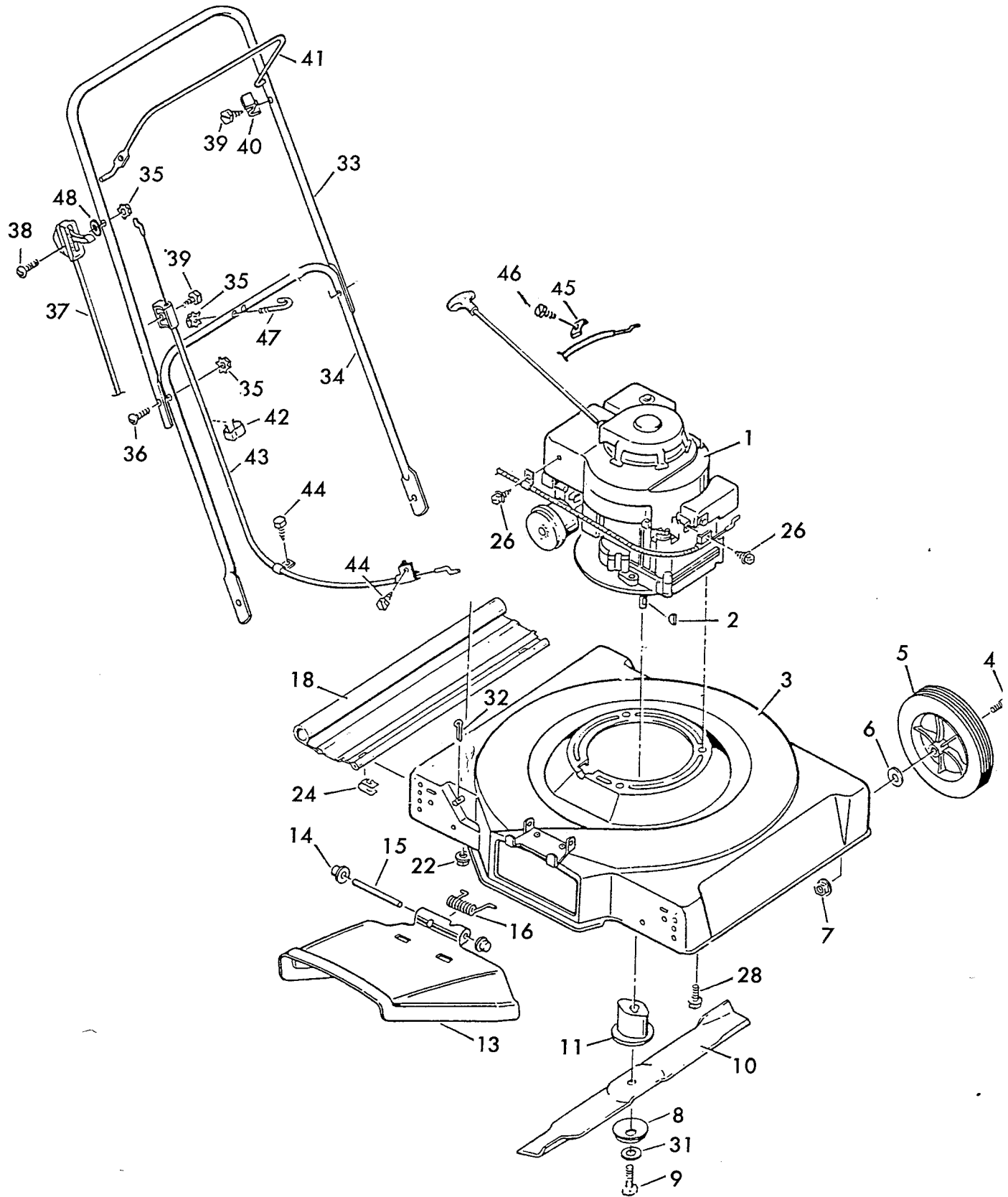


MODEL NO. 9-20211

20" MOWER ILLUSTRATION  
3.5 HP B & S



**20" MOWER PARTS LIST**

**MODEL NO. 9-20211**

KEY NO.	DESCRIPTION	20" PART NO.
1	Engine*	_____
2	Key, Woodruff	20062
3	Housing, For Fixed Handle	70100
4	Bolt, Axle	9x10
5	Wheel and Tire	20270
6	Washer	10851Z
7	Locknut, Flange	15x68Z
8	Washer	17x137
9	Bolt, Hex	1x68
10	Blade	20045HT
11	Adapter, Blade	42734
13	Chute Deflector	42919
14	Push On Cap	28x42
15	Pivot Pin	215x11Z
16	Spring	166x5
18	Rear Deflector	42746
24	Retainer	42743
26	Screw	26x234
28	Bolt, Engine	25x6
31	Washer	17x124
32	Pin, Cotter	30x35
33	Handle, Upper Standard	43300E701
34	Handle, Lower	43270E701
35	Locknut	15x66
36	Bolt	3x136
37	Throttle Control	42949
38	Bolt	3x105
39	Screw	26x220
40	Stop, Lever	42765V701
41	Lever, Engine Stop - Standard	42763E701
42	Cable Tie	43525
43	Engine Stop Cable, For Fixed Handle	42569
44	Bolt	26x234
45	Clamp	20073
46	Bolt	26x181
47	U Bolt	42896
48	Washer	17x32Z
	Parts Bag	43462
	Instruction Book	F-89402

*lower handle is incorrect  
in micro-fiche*

\* The engine model, type, and code numbers are on the engine. All parts to the engines are available from a Briggs & Stratton Authorized Service Center. See "Engines, Gasoline" or "Gasoline Engines" in the yellow pages of the telephone directory.