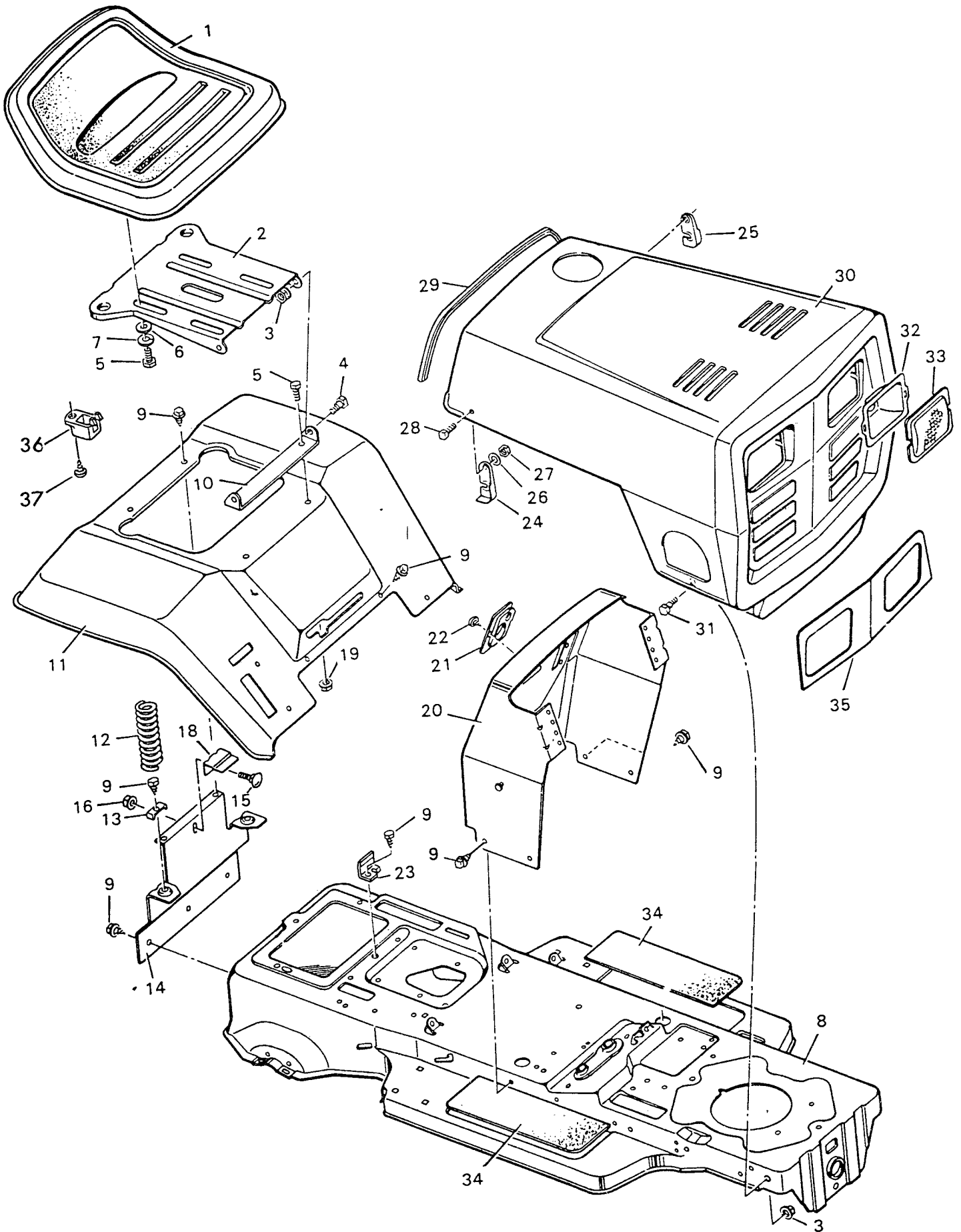


MODEL NO. 8-40713

CHASSIS & HOOD



**CHASSIS & HOOD****MODEL NO. 8-40713**

KEY NO.	DESCRIPTION	PART NO.
1	Seat	91450
2	Support, Seat	91044E
3	Locknut, Flange 3/8"-16	15X84
4	Bolt, Shoulder 3/8"-16X5/8"	9X17
5	Bolt, Hex 5/16"-18X5/8"	1X45
6	Washer	17X47Z
7	Lockwasher	18X16
8	Frame Channel	90001E
9	Screw	26X49
10	Bracket, Seat Pivot	90031E
11	Seat Deck	90186E
12	Spring	164X17E
13	Spring Retainer	90014
14	Support, Seat Deck	90633E
15	Bolt, Carriage	2X53Z
16	Locknut 5/16"-18	15X76
18	Battery Clamp	90632Z
19	Locknut, Flange 5/16"-18	15X88
20	Dashboard Assembly	90737E
21	Bearing, Steering Post	90081
22	Screw	26X186
23	Battery Clip	55149E
24	Latch, Right Hood*	90464Z
25	Latch, Left Hood*	90465Z
26	Washer*	17X17
27	Hex Nut #10-24*	15X81
28	Machine Screw #10-24X½"*	4X20Z
29	Edge Trim*	90240
30	Hood & Grille Assembly	91119E
31	Bolt, Shoulder 3/8"-16X7/8"	9X14Z
32	Reflector, Headlight	90009C
33	Lens, Headlight	90082
34	Mat	90148
35	Trim, Headlight	90159C
36	Seat Switch Cover	56062
37	Screw	26X159
--	Assembly Parts Bag	91418
--	Instruction Book	F-88708
--	Repair Parts Book	F-88709
--	Decal Left Hood	58X841
--	Decal Right Hood	58X842
--	Decal Grille	58X845
--	Decal Left Seat Deck	43X261
--	Decal Right Seat Deck	43X262

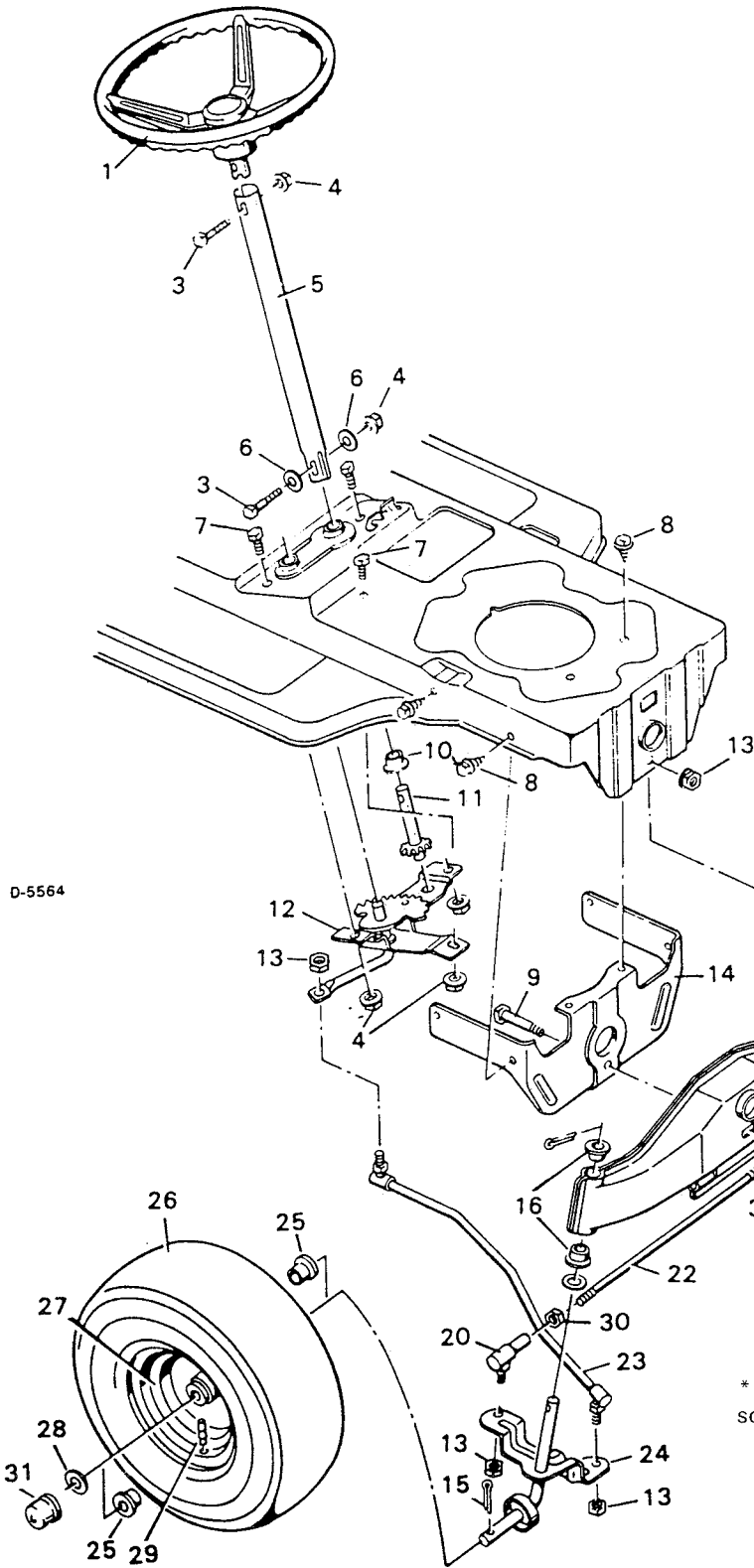
\*Part Number included with key no. 30.

—When ordering painted parts see page 3.

MODEL NO. 8-40713

STEERING

D-5250



KEY NO.	DESCRIPTION	PART NO.
1	Steering Wheel	90576
3	Hex Bolt 5/16''-18X1 1/2''	1X102
4	Locknut	15X88
5	Steering Post	91444C
6	Washer	17X47Z
7	Hex Bolt 5/16''-18X5/8''	1X45
8	Screw	26X49
9	Bolt, Hex 3/8''-24X3 1/4''	1X101
10	Bearing	90035
11	Pinion Gear & Shaft	91445
12	Sector Gear Assembly	90025
13	Locknut, Flange 3/8''-24	15X87
14	Support, Front Axle	90002E
15	Cotter Pin	30X49
16	Bearing	90035
17	Axle Assembly	90034E
18	Washer	17X113
19	Spindle, Left	91463E
20	Ball Joint	21031
22	Tie Rod	21475
23	Drag Link Assembly	90041
24	Spindle, Right	91462E
25	Bearing	91334
26	Tire Only**	24376
--	Inner Tube	407047
27	Wheel Only	24488E
28	Washer, Hub Caps Only	17X115Z
--	Washer, Without Hub Caps	17X83Z
29	Valve Stem & Cap	24373
30	Nut, Hex 3/8''-24	15X61
31	Hub Cap, Optional	21662

D-5564

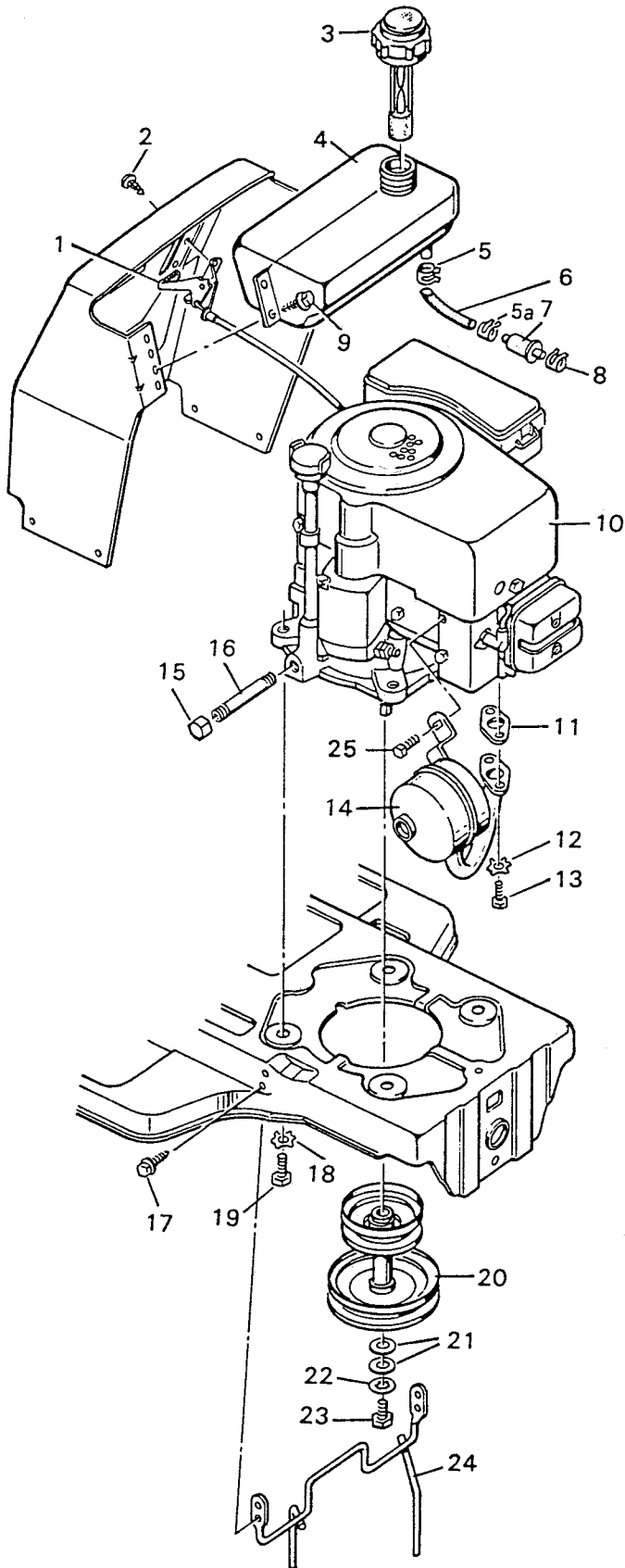
\*\*When you order a tire, make sure to give the brand name of the tire so that the tread pattern on the tire will match.

S-1035

# ENGINE MOUNT

# MODEL NO. 8-40713

D-5554-1



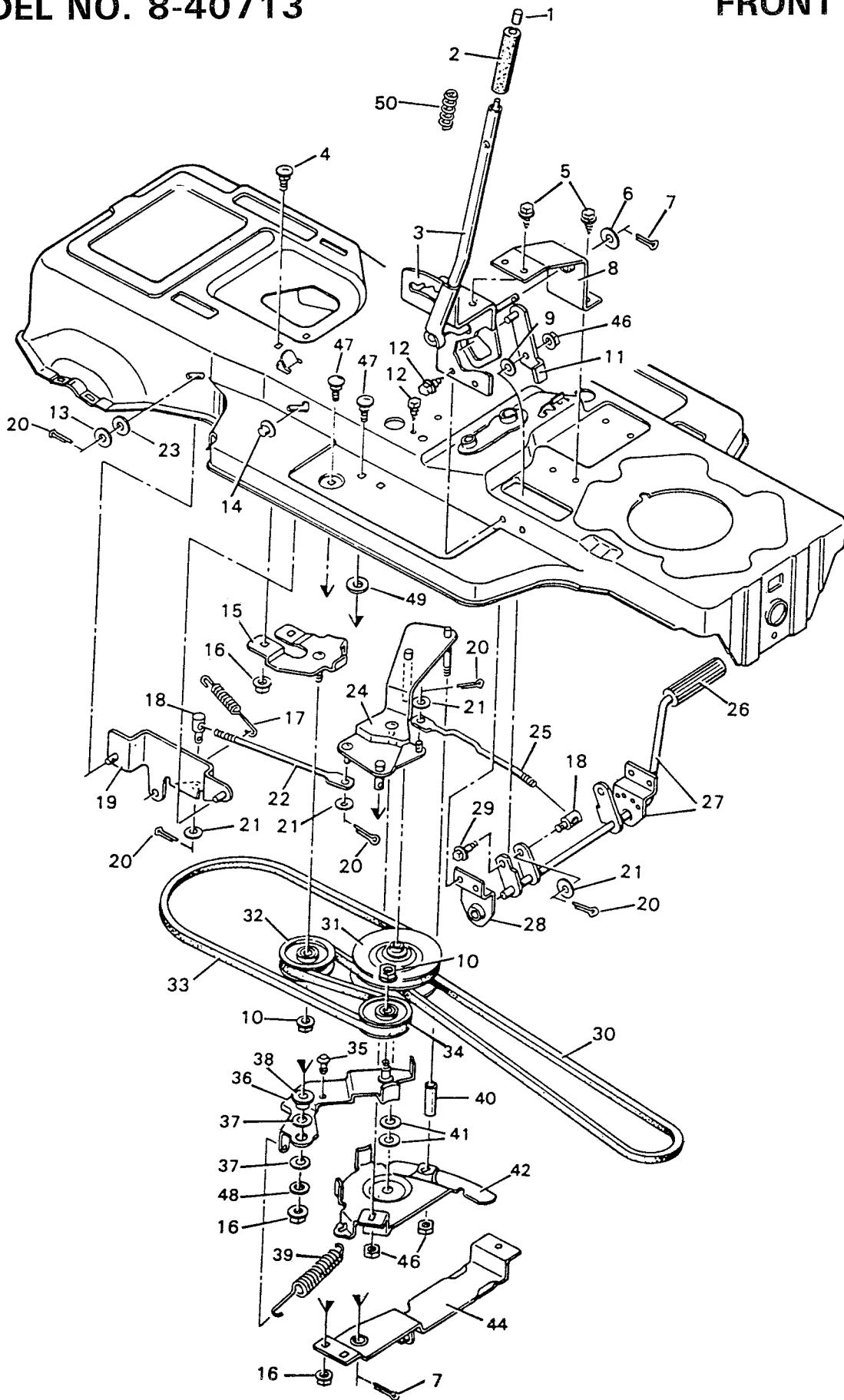
KEY NO.	DESCRIPTION	PART NO.
1	Throttle Control	91104
2	Screw	26X201
3	Fuel Cap	23711
--	Fuel Cap with Gauge	24064
4	Fuel Tank	23300
5	Hose Clamp	91174
5a	Hose Clamp	23713
6	Fuel Line	91022
7	Filter, Fuel	90840
8	Hose Clamp	91053
9	Screw	26X214
10	Engine*	----
11	Gasket	91101
12	Star Washer	19X6
13	Bolt, Hex 5/16''-18X3/4''	1X91
14	Muffler	91100
15	Cap, Oil Drain	21651
16	Oil Drain Extension	24066
17	Screw	25X2
18	Washer	19X8
19	Bolt, Engine Mount	25X6
20	Stack Pulley Assembly	91557Z
21	Washer	17X103
22	Lockwasher	19X35
23	Bolt, Hex 7/16''-20X1''	1X80
24	Belt Guide, Stack Pulley	90866Z
25	Bolt (Included with engine)*	----

\*The engine model number is on the engine. All parts to the engine are available from a Tecumseh Authorized Service Center. See "Engines, Gasoline" or "Gasoline Engines" in the yellow pages of the telephone directory.

# MODEL NO. 8-40713

# FRONT DRIVE

D-5355-5



S-1035

## FRONT DRIVE

## MODEL NO. 8-40713

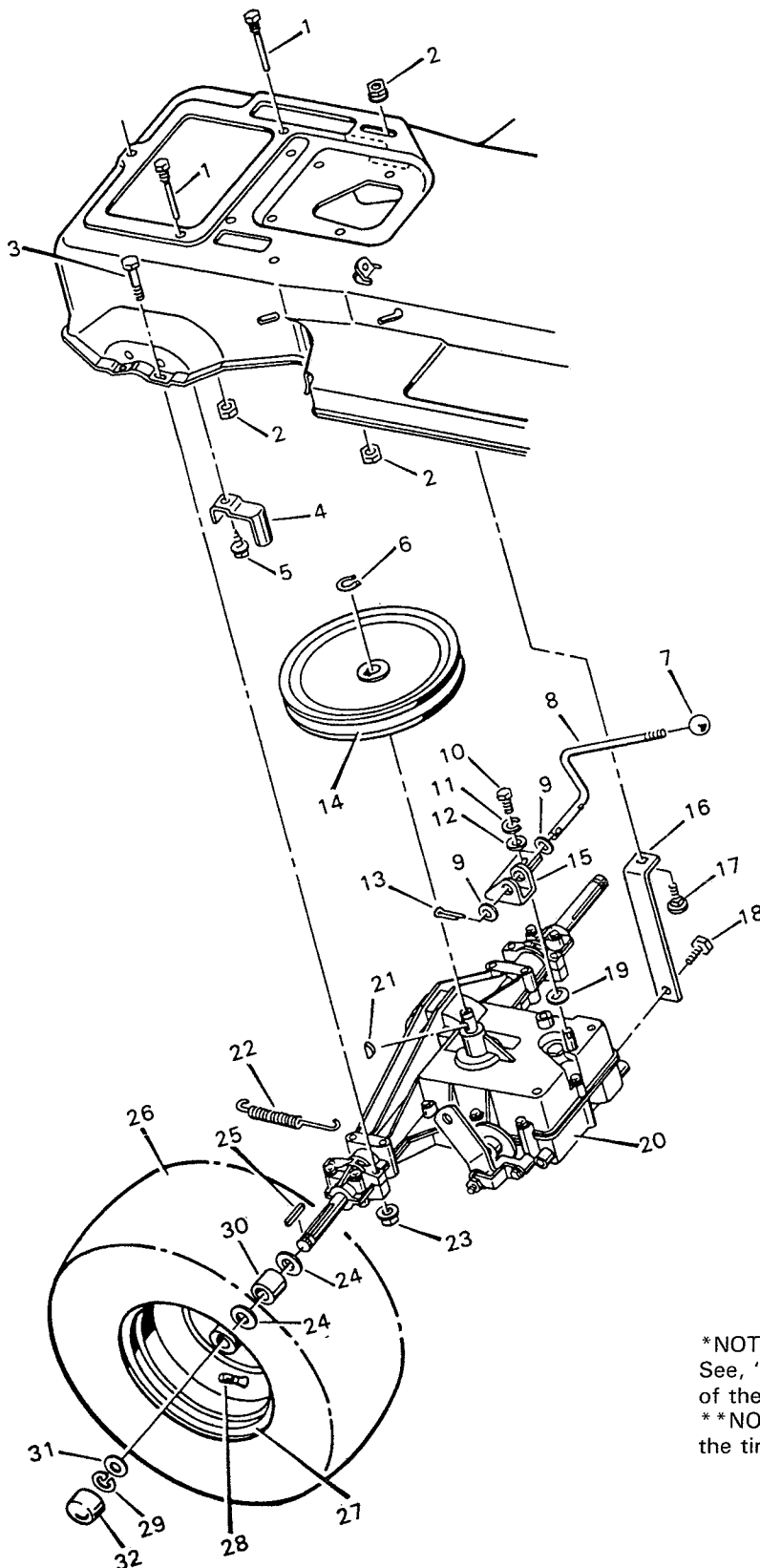
KEY NO.	DESCRIPTION	PART NO.
1	Button, Steel**	91261
2	Grip, Speed Selector	91398
3	Speed Selector Assembly	90919SE
4	Bolt, Carriage 5/16''-18X5/8''	2X64
5	Screw	26X49
6	Washer	17X87Z
7	Cotter Pin	30X49
8	Bracket, Speed Selector	90519E
9	Washer	17X90
10	Locknut, Flange 3/8''-16	15X84
11	Speed Selector Link Assembly	90529E
12	Screw	26X197
13	Washer	17X116Z
14	Retainer Cap	28X48
15	Idler Bracket Assembly	90705
16	Nut, Flange 5/16''-18	15X79
17	Spring, Extention Brake	165X45
18	Nut, Adjustable	21920
19	Brake Plate Assembly	90527E
20	Cotter Pin	30X20
21	Washer	17X53Z
22	Rod, Brake Link	90538Z
23	Washer	17X47Z
24	Support Assembly, Upper	90543
25	Rod, Clutch/Brake Link	90525Z
26	Clutch/Brake Pedal	21544
27	Pedal Lever Assembly	90532
28	Support Bracket	90013
29	Bolt, Shoulder	9X8
30	Belt, Primary Drive*	400285
31	Variator Pulley Assembly	90564
32	Pulley, Backside Idler	91179
33	Belt, Secondary Drive*	400285
34	Pulley, "V" Idler	91178
35	Slide Button	90506
36	Idler Bracket Assembly	90534Z
37	Thrust Washer	17X142
38	Spacer, Idler Bracket	90508
39	Spring, Extension	165X44
40	Spacer, Variator Support	121X74Z
41	Washer, Thrust	17X139
42	Variator Support, Lower	90540E
44	Pivot Support Assembly	90657E
46	Locknut, Flange 5/16''-18	15X88
47	Bolt, Carriage 5/16''-18X1''	2X72
48	Washer	17X146Z
49	Washer	10851Z
50	Spring**	164X21
--	Grease, Variator	407061

\*NOTE: This part number (400285) includes both the Primary and the Secondary Drive Belts. Both belts must be replaced even if only one of the belts is damaged.

\*\*NOTE: These parts are included when ordering key number 3.

**MODEL NO. 8-40713**

**REAR DRIVE**



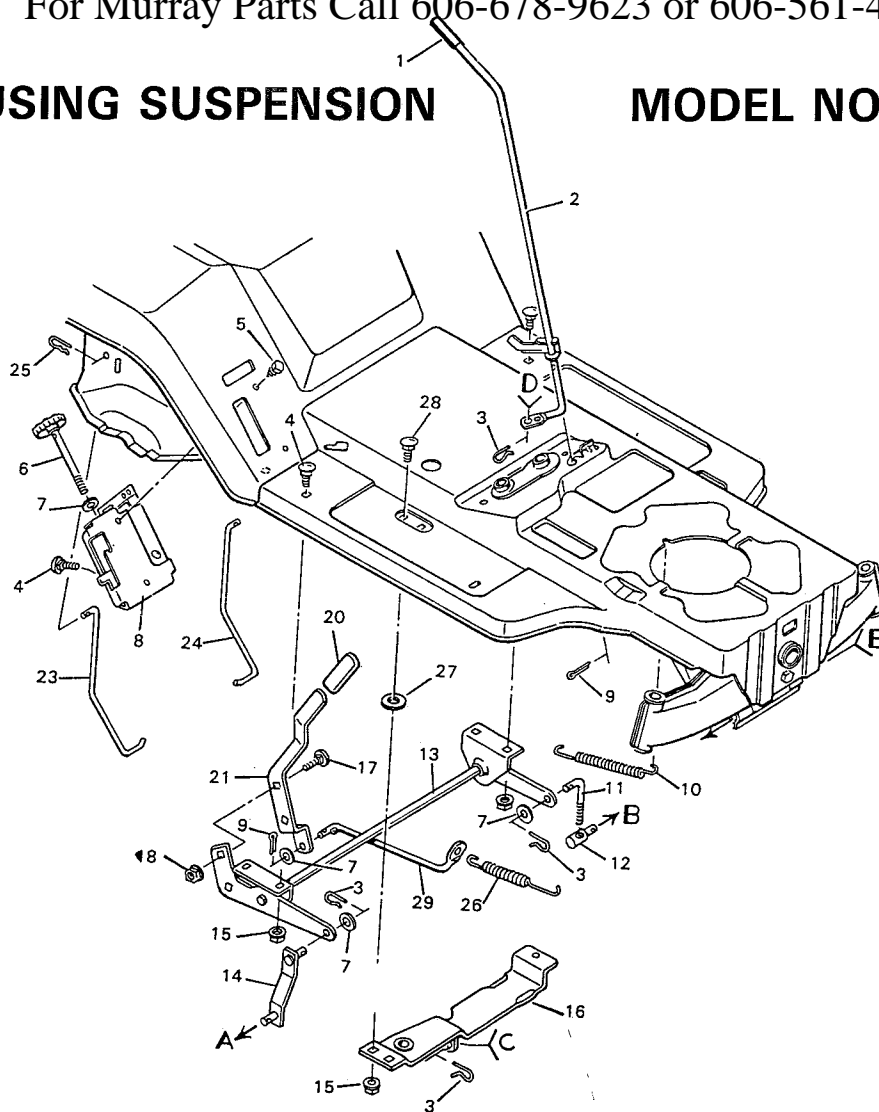
KEY NO.	DESCRIPTION	PART NO.
1	Bolt, Belt Guide	20619
2	Nut, Flange 5/16''-18	15X79Z
3	Bolt, Hex 5/16''-18X1 7/8''	1X98
4	Belt Guide	90693
5	Screw	26X49
6	Retainer Ring	11X7
7	Knob, Shift Lever	20739
8	Lever, Shift	90670Z
9	Washer	17X102
10	Bolt, Hex 1/4''-28X5/8''	1X82
11	Lockwasher	18X32
12	Washer	17X37Z
13	Cotter Pin	30X20
14	Pulley, Input Drive	90706
15	Shifter Yoke	90669Z
16	Support Transaxle	90687Z
17	Bolt, Carriage 5/16''-18X3/4''	2X53Z
18	Screw	26X207
19	Washer	17X134
20	Transaxle, Peerless Model 900-027*	---
21	Woodruff Key #9	20697
22	Spring, Brake	165X34
23	Locknut, Flange 5/16''-18	15X88
24	Washer, Transaxle	17X160
25	Square Key 3/16''X2''	21553
26	Tire Only**	90807
--	Inner Tube	407049
27	Wheel Only	24351E
28	Valve Stem and Cap	24373
29	E-Ring	11X3
30	Spacer	91394
31	Washer	17X115
32	Hub Cap, Optional	21662

\*NOTE: Parts are available from a Tecumseh Authorized Service Center. See, "Engines, Gasoline" or "Gasoline Engines" in the yellow pages of the telephone directory.

\*\*NOTE: When you order a tire, make sure to give the brand name of the tire so that the tread pattern on the tire will match.

# BLADE HOUSING SUSPENSION

# MODEL NO. 8-40713

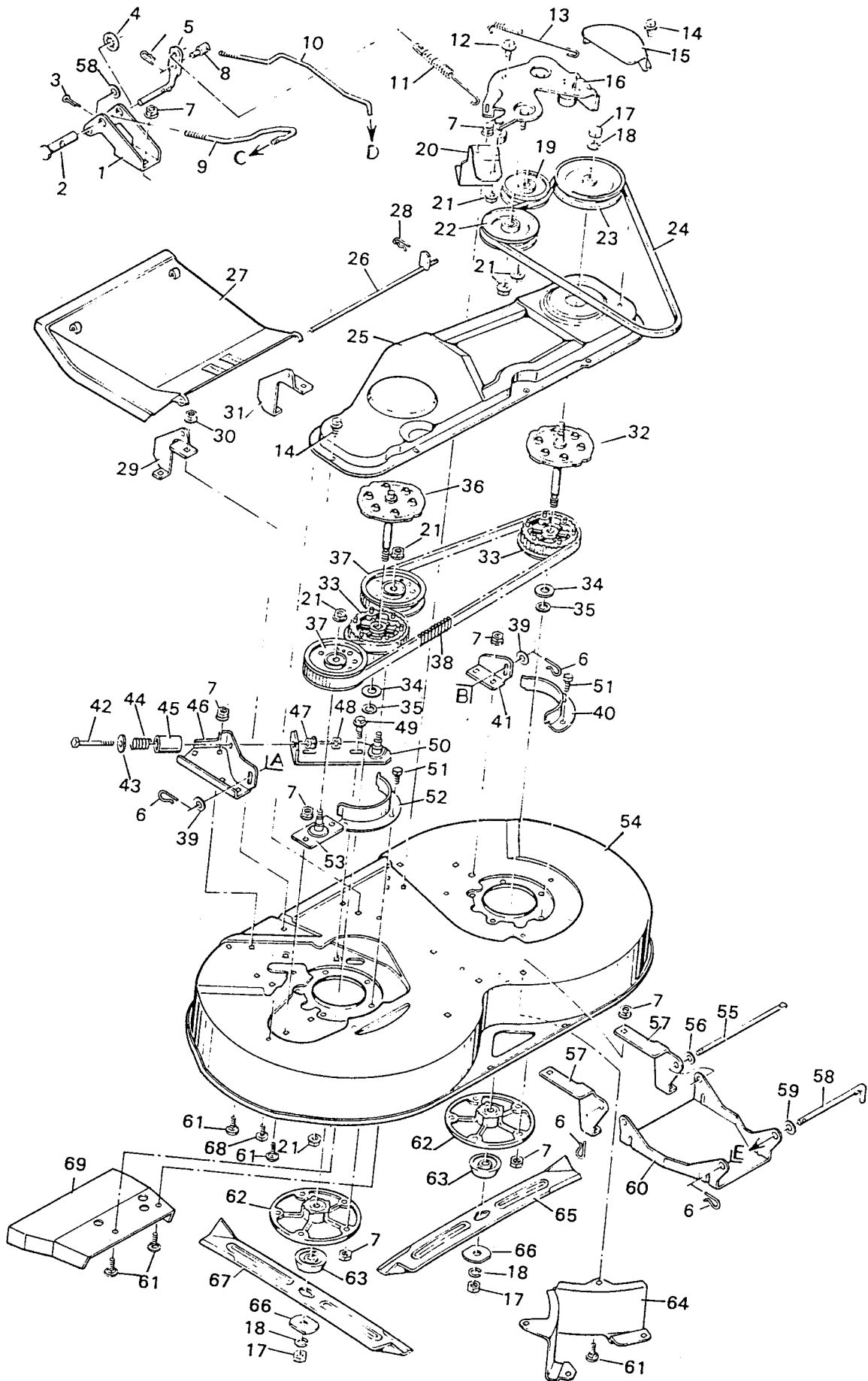


KEY NO.	DESCRIPTION	PART NO.
1	Grip, Blade Engagement Control	20476
2	Lever, Blade Engagement Control	90030Z
3	Hair Pin*	31X4
4	Bolt, Carriage	2X64
5	Screw	26X49
6	Adjuster Screw Assembly	90078Z
7	Washer*	17X53Z
8	Bracket Assembly, Adjuster	404063
9	Cotter Pin	30X20
10	Spring, Blade Engagement Control*	165X32
11	Rod, Adjuster*	23704Z
12	Nut, Adjustable*	21920
13	Lifter Assembly	90825
14	Link Assembly*	90754Z
15	Nut, Hex 5/16''-18	15X79
16	Support, Channel	90537
17	Bolt, Carriage	2X57
18	Locknut 3/8''-16	15X84
20	Grip, Lifter Handle	91573
21	Handle, Lifter	90801E
23	Rod, Right Deflector*	90888Z
24	Rod, Left Deflector*	90889Z
25	Hair Pin*	31X6
26	Spring, Lifter Extension	165X60
27	Washer	10851Z
28	Bolt, Carriage	2X72
29	Rod	90797Z



# MODEL NO. 8-40713

# MOWER HOUSING



D-8069

S-1035

**MOWER HOUSING****MODEL NO. 8-40713**

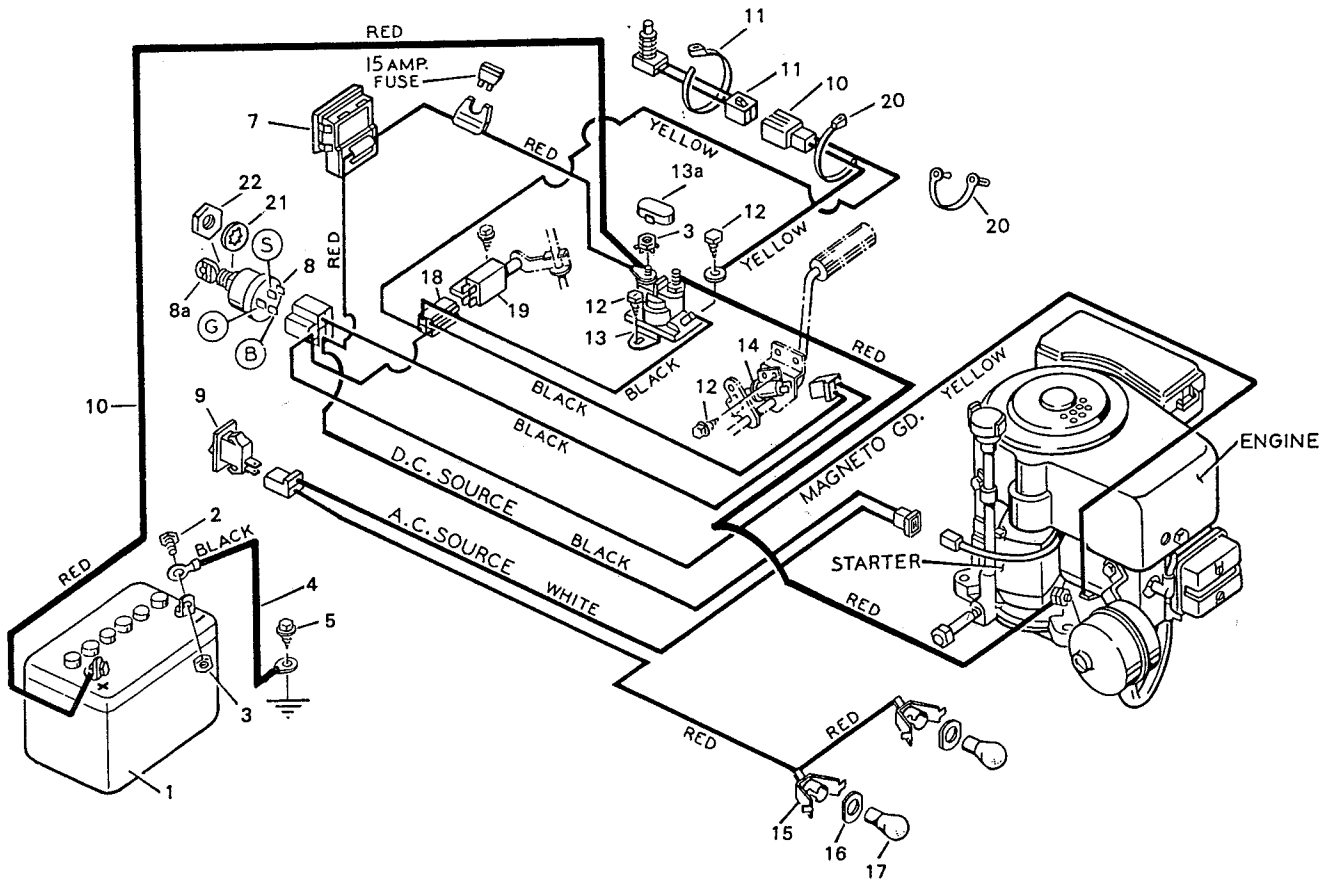
KEY NO.	DESCRIPTION	PART NO.	KEY NO.	DESCRIPTION	PART NO.
1	Bracket, Rear Hanger*	90881	37	Pulley, Flat Idler	90865
2	Bar, Adjusting	90907	38	Belt, 8mm HTD Cross Drive	37X54
3	Pin, Cotter	30X20	39	Washer	17X53Z
4	Nut, Push	28X54	40	Guide, Left Belt	90893Z
5	Lever, Deck Pivot	90339Z	41	Bracket, Lifter*	90103
6	Pin, Hair	31X4	42	Bolt, Hex 3/8''-16X4''	1X123
7	Nut, Hex 5/16''-18*	15X79Z	43	Washer	17X158
8	Nut, Adjustable	21920	44	Spring, Compression	164X18
9	Rod, Link	90544Z	45	Absorber	90895
10	Rod, Control	90885Z	46	Bracket, Idler & Deck Lift*	90894
11	Spring, Extension	165X63	47	Nut, Jam 3/8''-16	15X73
12	Bolt, Shoulder	9X12	48	Locknut, Flange 3/8''-16	15X68
13	Spring, Extension	165X61	49	Bolt, Shoulder	9X14
14	Screw	26X214	50	Bracket Assembly, Idler	90880Z
15	Guard, Pulley	90858E	51	Bolt, Hex 5/16''-18X1''	1X84
16	Brake Assembly, Idler and	407076	52	Guide, Right Belt	90892Z
17	Locknut 9/16''-18	15X101	53	Bracket Assembly, Idler*	91412
18	Lockwasher	18X33	54	Blade Housing-See Note	91222
19	Pulley, Idler	23238	55	Rod, Hanger	90107Z
20	Bracket, Idler Support*	90859	56	Washer	17X57Z
21	Locknut 3/8''-16	15X84	57	Bracket, Front Hanger*	90854
22	Pulley, V-Idler	90315	58	Pin, Pull	90827Z
23	Pulley	90872	59	Washer	17X122Z
24	Belt, Blade Drive	37X40	60	Hanger, Front	90106E
25	Cover, Blade Drive	90898E	61	Bolt, Carriage*	2X53Z
26	Pin, Deflector Pivot	91219Z	62	Housing, Mandrell	90905
27	Deflector	91399	63	Adapter, Blade	90891
28	Pin, Hair	31X6	64	Baffle, Front*	91211
29	Bracket, Right Chute*	90863	65	Blade, Left	91213HT
30	Locknut 5/16''-18*	15X88	66	Washer	20663Z
31	Bracket, Left Chute*	90864	67	Blade, Right	91212HT
32	Shaft Assembly, Left Spline	90882	68	Bolt, Hex 5/16''-18X5/8''*	1X45
33	Sprocket, HTD	91443	--	Mower Housing-complete +	403221
34	Washer	17X157	69	Plate, Deflector	91214
35	Washer	17X149			
36	Shaft Assembly, Rt. Spline	90883			

\*NOTE: Parts with an asterisk (\*) are included with key number 54.

+NOTE: The mower housing complete includes this page and the parts that are indicated with 2 asterisks (\*\*) on the suspension page.

**MODEL NO. 8-40713**

**WIRING DIAGRAM**



KEY NO.	DESCRIPTION	PART NO.
1	Battery Type U1-9	21075
—	Electrolyte (Battery Acid)	90665
—	Battery Caps	400262
2	Hex Bolt 1/4"-20X5/8"	1X38
3	Keps Nut 1/4"-20	15X66
4	Battery Cable, Black	24X9
5	Screw	26X49
6	Fuse	54212
6a	Fuse Holder	407078
7	Ammeter Assembly	90829
8	Ignition Switch	21064
8a	Key Only	20729
9	Light Switch	90647
10	Wire Harness	250X3
11	Switch, Seat	S91031
12	Screw	26X233
13	Solenoid	24285
13a	Cover, Solenoid	90565
14	Switch, Limit	21549
15	Light Socket Assembly	90155
16	Washer, Light Socket	90228
17	Headlight Bulb	90084
18	Wiring Harness	250X1
19	Switch, PTO	91299
20	Tie Strap	32618
21	Washer	19X40
22	Hex Nut	15X105
	Battery Tray	24157