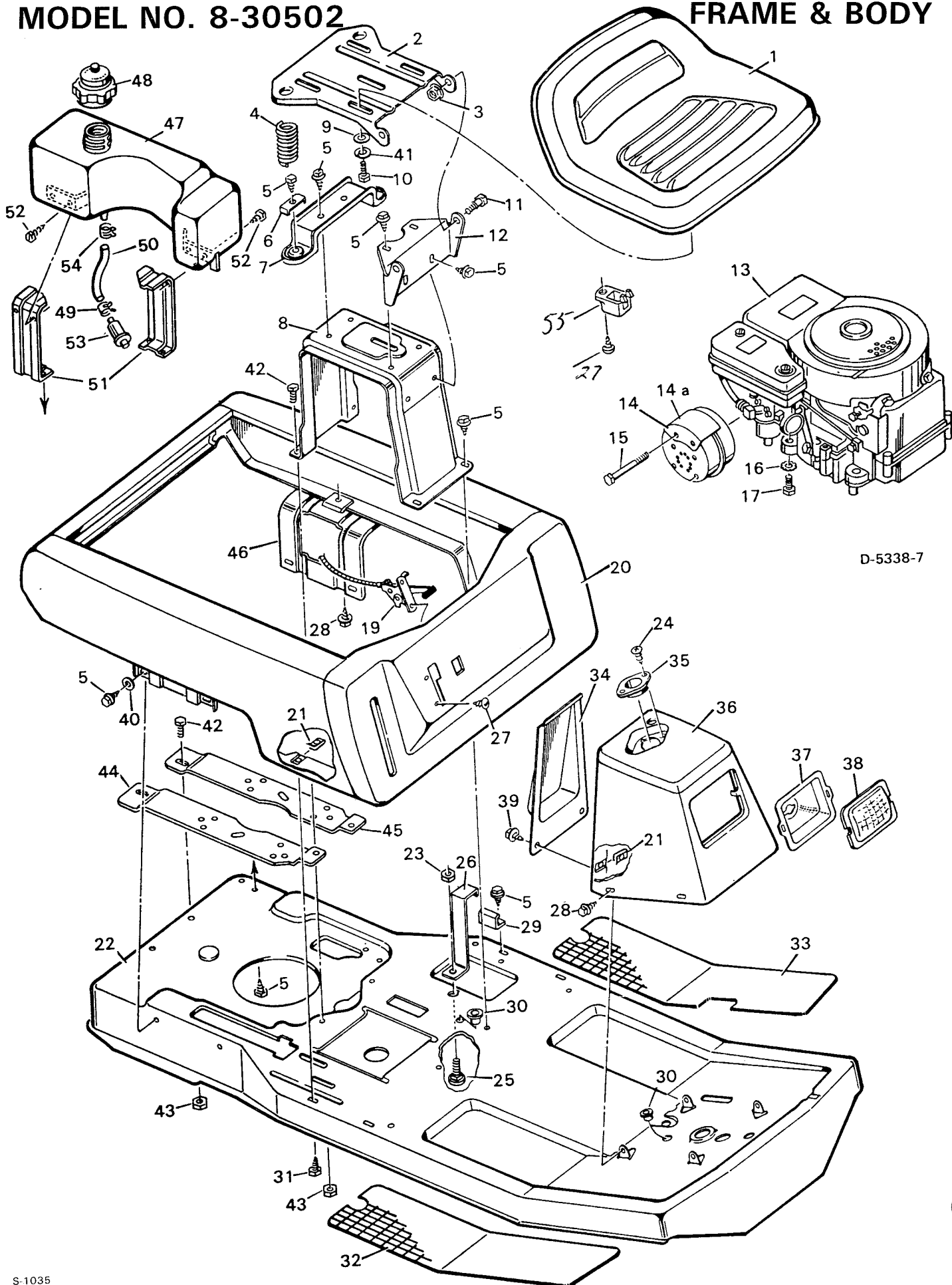


MODEL NO. 8-30502

FRAME & BODY



D-5338-7

FRAME & BODY

MODEL NO. 8-30502

KEY NO.	DESCRIPTION	PART NO.	KEY NO.	DESCRIPTION	PART NO.
1	Seat	91450	33	Mat, Running Board (L.H.)	55103
2	Seat Mount	55765E	34	Console Plate	55023E
3	Locknut, Flange 3/8"-16	15X84	35	Bearing, Steering Post	56022
4	Seat Spring	164X17	36	Console Assembly, with light*	55932E
5	Screw	26X49	37	Reflector*	90009C
6	Spring Retainer	90014E	38	Lens*	90082
7	Spring Hanger	55062E	39	Screw Machine 1/4"-20X1/2"	4X24
8	Seat Support	55741E	40	Washer	19X6
9	Washer	17X47Z	41	Lockwasher	18X16
10	Hex Bolt 5/16"-18X5/8"	1X45	42	Hex Bolt	1X91
11	Shoulder Bolt 3/8"-16X7/8"	9X30	43	Locknut Flange	15X88
12	Seat Hinge	55061E	44	Engine Strap, Right	55205
13	Engine	+	45	Engine Strap, Left	55206
14	Muffler	90331	46	Rear Body Support	55017Z
14a	Heat Shield, Muffler	90333	47	Tank, Fuel	55805
15	Hex Bolt 1/4"-20X3/4"	1X117	48	Cap, Fuel	55990
16	Washer, Shakeproof	19X8	49	Clamp, Hose	23713
17	Bolt, Engine Mount	25X6	50	Fuel Line	91022
19	Control & Cable	55330PA	51	Bracket, Tank	55806E
20	Rear Body Assembly, with light	55678E	52	Screw	26X213
21	Nut, Tinnerman 1/4"-20	28X18	53	Filter	+
22	Frame Channel	55941	54	Clamp, Hose	91174
23	Nuts, Keps 1/4"-20	15X66	55	Seat Switch Cover	56062
24	Screw, Tapping	26X201	--	Assembly Parts Bag	55964
25	Bolt, Carriage	2X67	--	Instruction Book	F-88502
26	Clamp, Battery	55210Z	--	Repair Parts Book	F-88503
27	Screw, Tapping	26X159	--	Decal, Console (Front)	58X939
28	Screw, Tapping	26X214	--	Decal, Console (Right)	43X276
29	Battery Clip	55149Z	--	Decal, Console (Left)	43X275
30	Grommet	21268	--	Decal, Rear Body (Right)	58X852
31	Bolt, Hex 1/4"-20X5/8"	6X74	--	Decal, Rear Body (Left)	58X853
32	Mat, Running Board (R.H.)	55102			

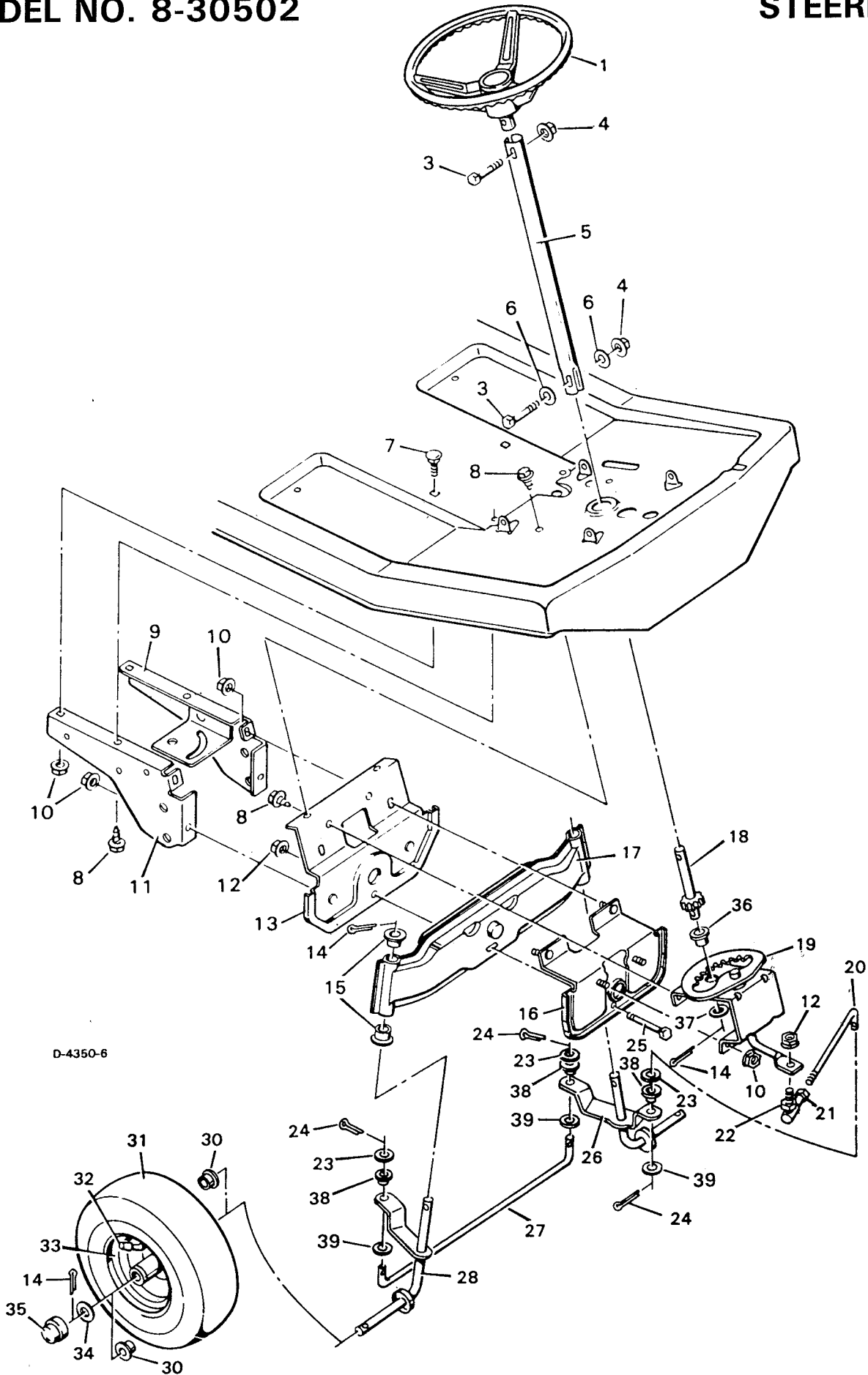
+ NOTE: The engine model, type, and code numbers are on the engine. All parts for the engine are available from a Briggs & Stratton Authorized Service Center. See "Engines, Gasoline" or "Gasoline Engines" in the yellow pages of the telephone directory.

*Part only used on models with lights.

—When ordering painted parts see page 3.

MODEL NO. 8-30502

STEERING



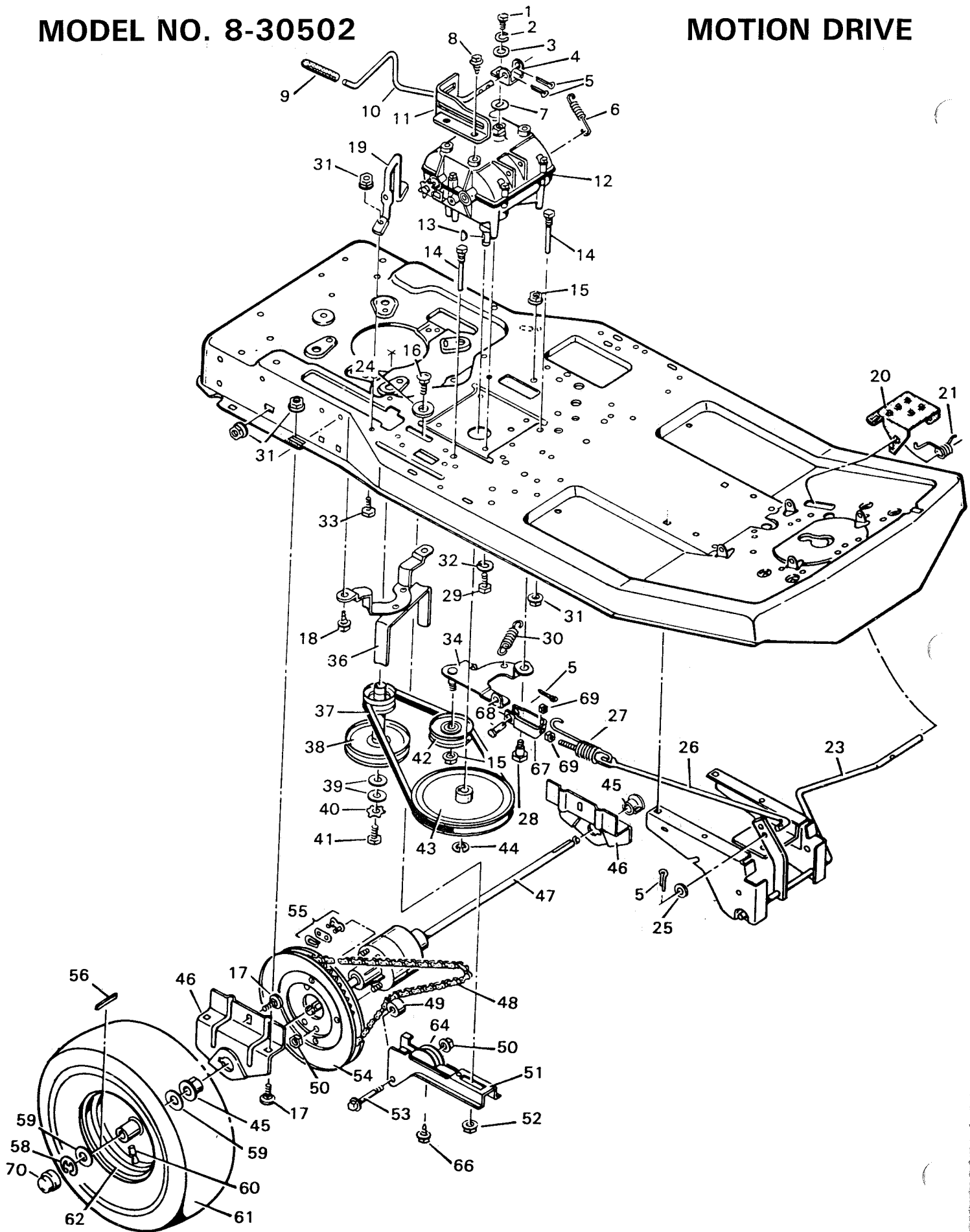
STEERING**MODEL NO. 8-30502**

KEY NO.	DESCRIPTION	PART NO.
1	Steering Wheel	90576
3	Hex Bolt 5/16''-18X1 1/2''	1X102
4	Locknut, Flange 5/16''-13	15X88
5	Steering Post	91444C
6	Washer	17X47Z
7	Carriage Bolt 5/16''-18X 3/4''	2X64
8	Screw, Tapping	26X49
9	Suspension Plate, Left	55384E
10	Hex Nut, Flange	15X79Z
11	Suspension Plate, Right	56023E
12	Locknut, Flange 3/8''-24	15X87Z
13	Front Axle Support Assembly	55937E
14	Cotter Pin	30X49
15	Spindle Bearing	55003
16	Front Axle Hanger Assembly	55655E
17	Front Axle Assembly	55024E
18	Pinion Gear	56057
19	Sector Assembly	55746
20	Drag Link	55046
21	Hex Nut 3/8''-24	15X61Z
22	Steering Ball Joint	21031
23	Washer	17X53Z
24	Cotter Pin	30X20
25	Hex Bolt 3/8''-24X2 3/8''	1X69
26	Left Spindle Assembly	55381E
27	Tie Rod	55026
28	Right Spindle Assembly	55380E
30	Bearing	55598
31	Tire Only*	24394
32	Valve Stem & Cap	24373
33	Wheel Only	24364E
34	Washer	24583
35	Hub Cap, Optional	24582
36	Bearing	55168
37	Washer	17X100Z
38	Bushing, Nylon	55547
39	Washer, Cup	17X161

*When ordering replacement parts, specify the brand name of the tire to insure that tread patterns on the tire match.

MODEL NO. 8-30502

MOTION DRIVE



S-1035

MOTION DRIVE

MODEL NO. 8-30502

* ON

8-30502 + 92

FOOTE MOD

TRANS 4100-12

KEY NO.	DESCRIPTION	PART NO.	KEY NO.	DESCRIPTION	PART NO.
1	Hex Bolt ¼"-20X5/8"	1X82	36	Belt Guide Assembly	55983Z
2	Spring Lockwasher	18X32	37	Drive Belt, Traction	37X38
3	Washer	17X37Z	38	Stack Pulley Assembly	55960Z
4	Transmission Yoke	55710Z	39	Washer	17X103
5	Cotter Pin	30X20	40	Washer	19X35
6	Extension Spring, Brake Return	165X28	41	Hex Bolt 7/16"-20X1"	1X80
7	Washer	17X134	42	Idler Pulley	91178
8	Screw, Tapping	26X207	43	Pulley, Transmission	55101
9	Grip	55321	44	Retainer Ring	11X7
10	Shift Lever	55740Z	45	Axle Bearing, Flange	55597
11	Transmission Gate	55263Z	46	Bracket, Rear Axle	55065E
12	Transmission, Peerless 708C	+	47	Differential, Peerless 100-055	+
13	Woodruff Key +9	20697	48	Roller Chain	55115
14	Guide Screw	20619	49	Roller**	90176
15	Locknut, Flange 3/8"-16	15X84	50	Locknut, Flange 5/16"-18**	15X88
16	Carriage Bolt 3/8"-16X¼"	2X56	51	Chain Adjustment Bracket	55194
17	Carriage Bolt 5/16"-18X5/8"	2X53Z	52	Hex Nut, Flange 3/8"-16	15X68Z
18	Screw, Tapping	26X49	53	Shoulder Bolt 5/16"-18X1.72"***	9X22
19	Chain Clamp	23553Z	54	Sprocket & Chain Guard, 50 Tooth	55621
20	Pedal, Clutch/Brake	55395E	55	Connecting Link	407059
21	Torsional Spring, Pedal	166X18	56	Key, Square 3/16"	21553
23	Lever Assembly, Brake/Clutch	55656E	58	E-Ring	11X3
24	Washer	17X67Z	59	Washer	17X115Z
25	Washer	17X47Z	60	Valve Stem & Cap	24373
26	Rod, Brake/Clutch	55495Z	61	Tire Only*	24393
27	Extension Spring, Brake	165X42	62	Wheel Only	24391E
28	Shoulder Bolt 3/8"-16X5/8"	9X30	64	Guide Block**	23403
29	Hex Bolt 5/16"-18X¼"	1X91	66	Screw, Tapping**	26X214
30	Extension Spring, Clutch	165X39	67	Clevis	21915Z
31	Hex Nut, Flange 5/16"-18	15X79Z	68	Clevis Pin	29X99
32	Lockwasher	18X15	69	Hex Nut	15X2
33	Hex Bolt 5/16"-18X5/8"	1X45	70	Hub Caps, Optional	24582
34	Idler Arm Assembly	55067Z			

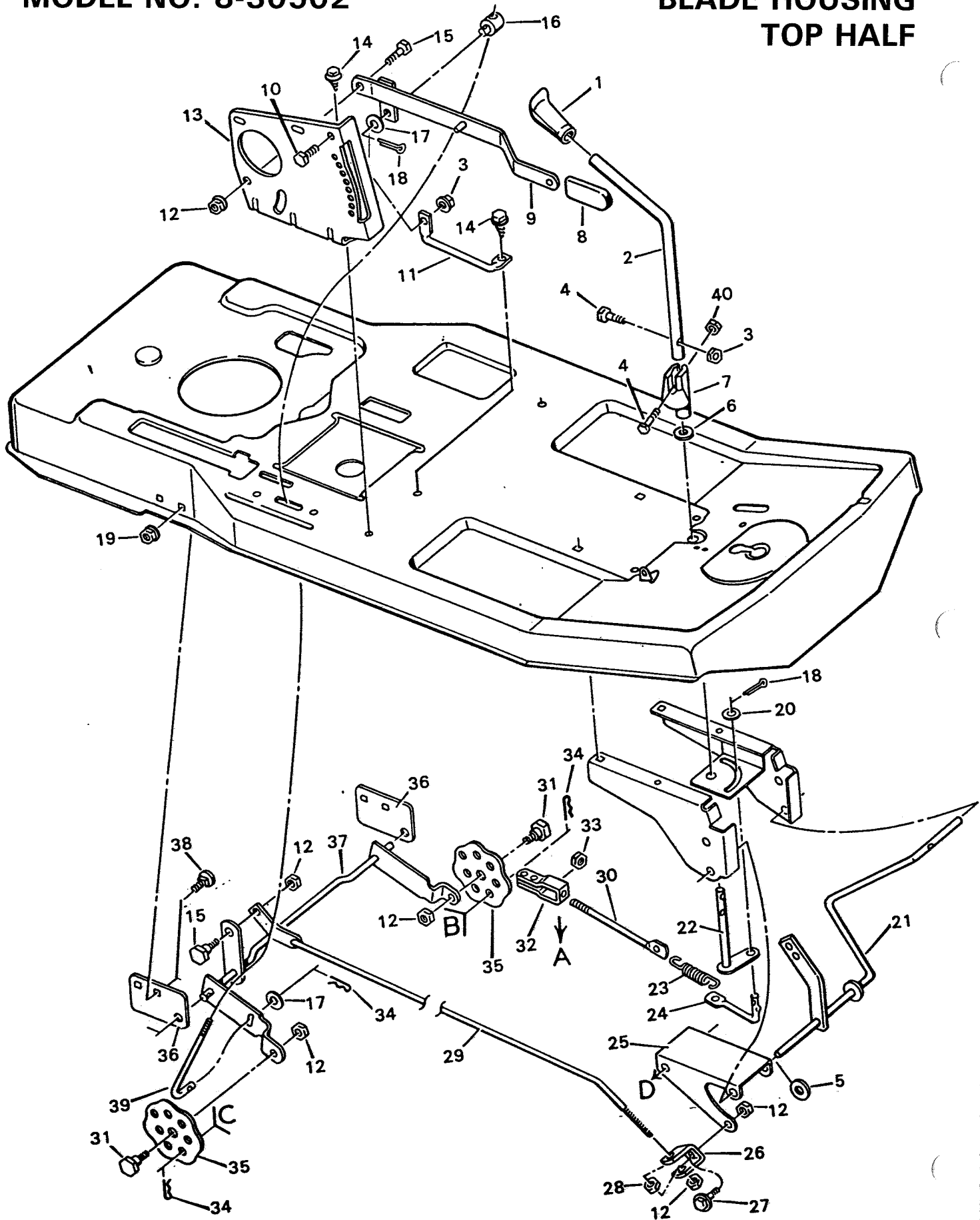
+ NOTE: Replacement parts for the transmission or differential are available from a Tecumseh Authorized Service Center. See "Engines, Gasoline" or "Gasoline Engines" in the yellow pages of the telephone directory.

* NOTE: For replacement parts, always give the name on the side of the tire so that the tire pattern will be the same.

** NOTE: These parts are included with the chain adjusting bracket, key no. 51.

MODEL NO. 8-30502

BLADE HOUSING TOP HALF



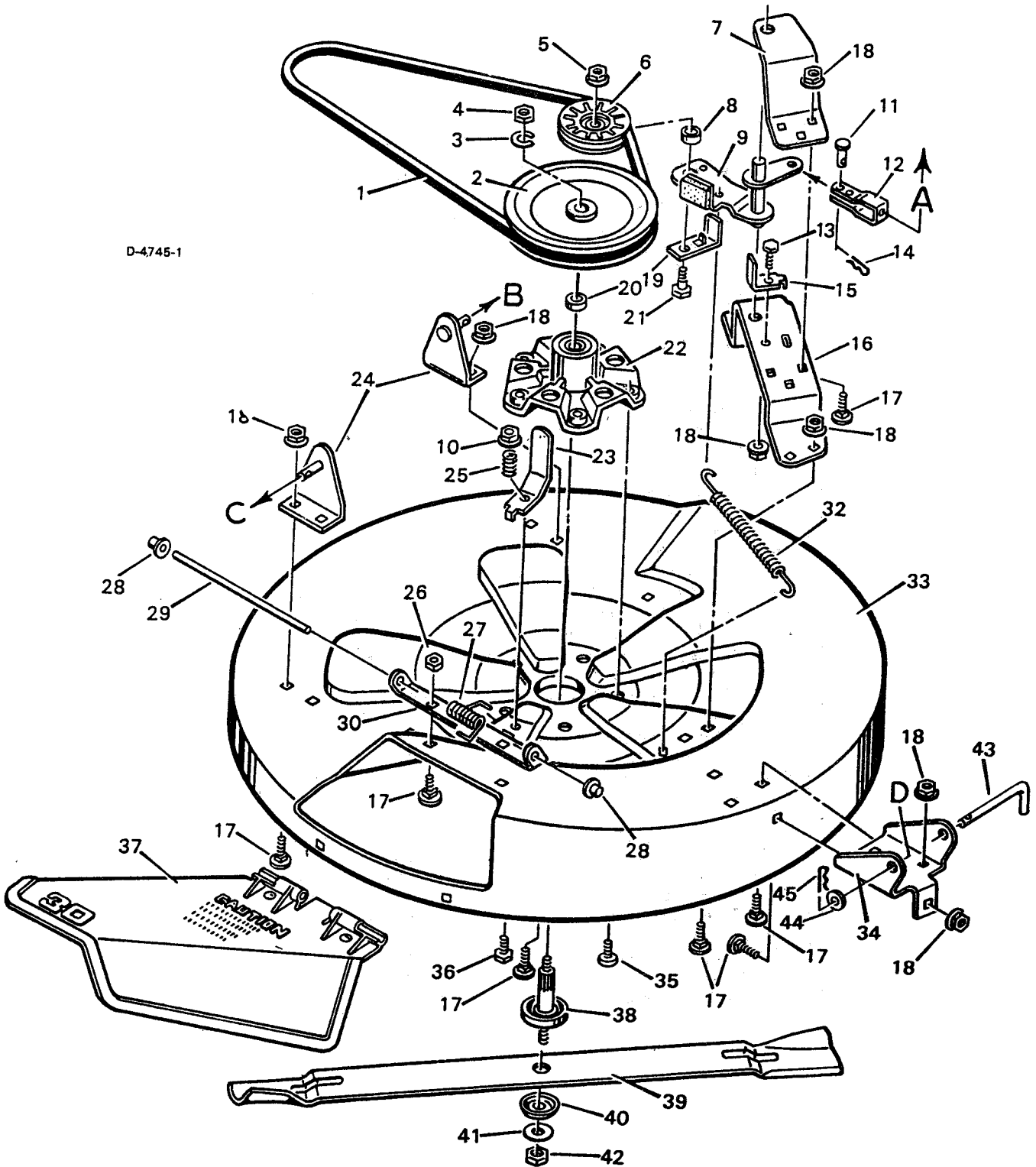
BLADE HOUSING TOP HALF

MODEL NO. 8-30502

KEY NO.	DESCRIPTION	PART NO.
1	Grip, Blade Control Lever	55449
2	Lever, Blade Control	55927Z
3	Locknut, Flange ¼"-20	15X89
4	Bolt, Hex ¼"-20	1X76
5	Washer	17X122Z
6	Washer	17X67Z
7	Cam, PTO	55853
8	Grip, Lifter	91573
9	Lever Assembly, Lifter	56031E
10	Bolt, Hex ¼"-20X5/8"	1X38
11	Strut	55348E
12	Locknut, Flange 3/8"-16	15X84
13	Plate, Index	55365E
14	Screw	26X49
15	Bolt, Shoulder 3/8"-16	9X9Z
16	Nut, Adjuster	21920
17	Washer	17X53Z
18	Pin, Cotter	30X20
19	Nut, Hex Flange 5/16"-18	15X88
20	Washer	17X48
21	Lever Assembly	55656E
22	Rod & Arm Assembly	55930
23	Spring, Extension	165X67
24	Link, Front Deck	55179
25	Bracket, Front Suspension	55139E
26	Clevis	55298
27	Bolt, Shoulder 3/8"-16	9X17
28	Nut, Hex Jam 3/8"-16	15X73
29	Rod Assembly	55957E
30	Link	55271Z
31	Bolt, Shoulder	9X4
32	Clevis, Adjuster	24471Z
33	Nut, Hex 5/16"-18	15X2
34	Hairpin	31X4
35	Plate, Adjuster	55344
36	Plate, Mounting	55270E
37	Rod Assembly, Suspension	55346E
38	Bolt, Carriage	2X64
39	Rod, Blade Brake	24839
40	Locknut, Keps	15X66

MODEL NO. 8-30502

**BLADE HOUSING
BOTTOM HALF**



D-4745-1

**BLADE HOUSING
BOTTOM HALF**

MODEL NO. 8-30502

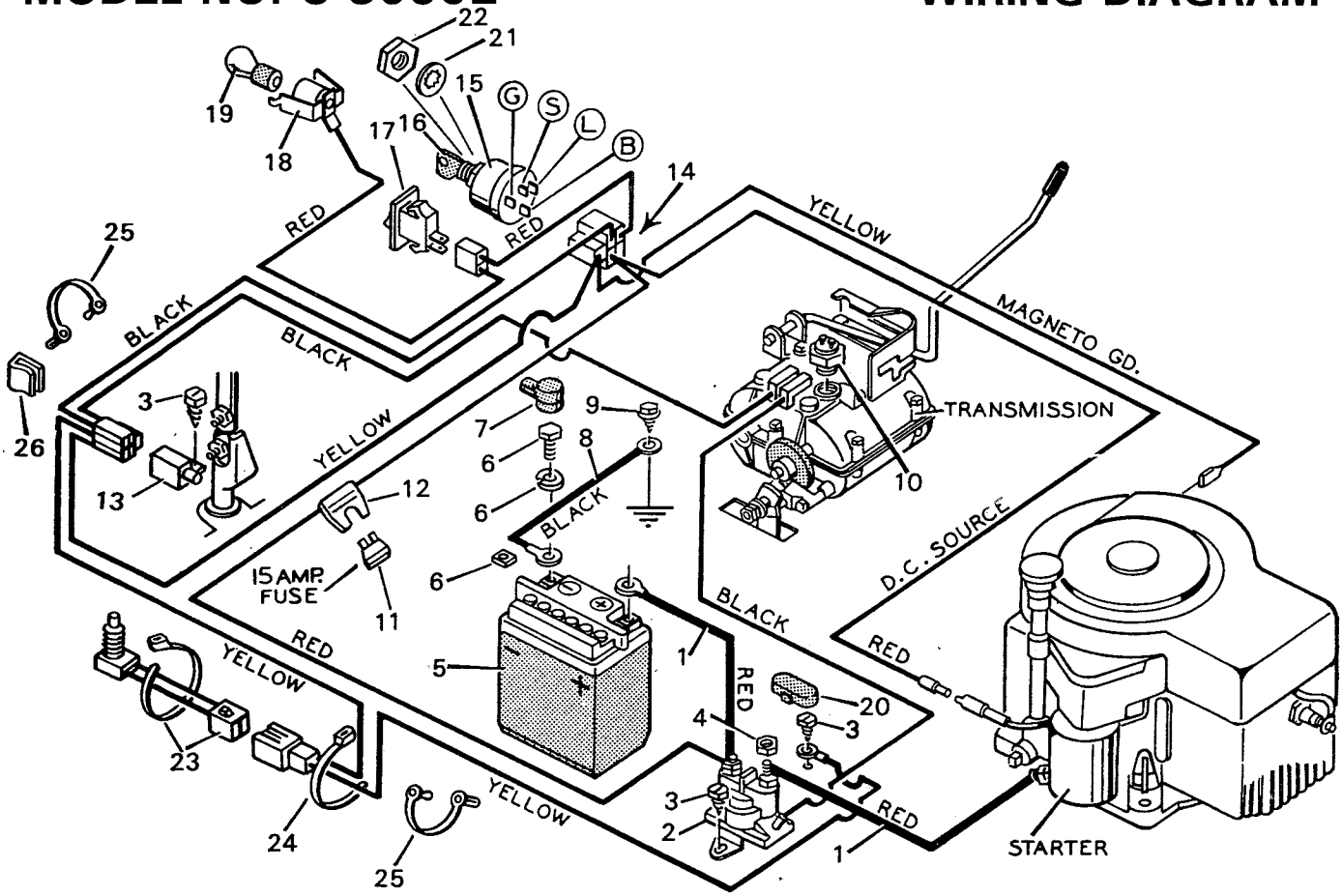
8-30502C
see Bulletin 82
3-1-88

KEY NO.	DESCRIPTION	PART NO.
1	Belt, Mower Drive	37X57
2	Pulley, Splined	55452
3	Lockwasher	18X33
4	Locknut 9/16X18	15X101
5	Nut, Hex	15X41
6	Pulley, Idler	91178
7	Bracket, Upper Idler	55921E
8	Spacer	55895
9	Assembly, Blade Idler	55979E
10	Locknut, Flange	15X88
11	Pin, Clevis	29X99
12	Clevis	24471
13	Bolt, Hex	1X45
14	Pin, Hair	31X6
15	Guide, Belt	55977
16	Bracket, Lower Idler	55920E
17	Bolt, Carriage*	2X53Z
18	Nut, Flange*	15X79Z
19	Guide, Belt	55894
20	Spacer	55273Z
21	Bolt, Hex	1X127
22	Housing, Mandrel	55962
23	Guide, Belt	55956Z
24	Bracket, Hander*	55974
25	Spring, Compression	164X1
26	Nut, Hex*	15X43Z
27	Spring, Torsional	166X4
28	Push On Cap	28X23
29	Rod	21197Z
30	Bracket, Chute Deflector*	55963
32	Spring, Extension	165X68
33	Housing, Blade*	56065E
34	Bracket, Front*	55916
35	Screw	26X216
36	Bolt, Hex 5/16"-18X7/8"	1X75
37	Deflector, Chute	55971
38	Mandrel	55445
39	Blade	56060
40	Washer, Belleville	17X155
41	Washer, Hardened	17X154
42	Nut, Hex 9/16"-18	15X100
43	Pin, Pull	90828Z
44	Washer	17X67Z
45	Pin, Hair	31X4
--	Mower Housing, Complete	403224

*NOTE: These parts are included with key number 33.

MODEL NO. 8-30502

WIRING DIAGRAM



KEY NO.	DESCRIPTION	PART NO.	KEY NO.	DESCRIPTION	PART NO.
1	Cable, Battery	24X12	14	Wiring Harness, with light	250X5
2	Solenoid	24285	15	Switch	21064
3	Screw	26X233	16	Key Only	20729
4	Nut, Locknut 1/4"-20	15X66	17	Light Switch +	90647
5	Battery Type 12N14-3A	23581	18	Light Socket +	90155
--	Electrolyte (Battery Acid)	55320	19	Light Bulb +	90084
6	Hardware, Battery	402012	20	Solenoid Cap	90565
7	Cover, Battery Terminal	24196	21	Washer, Shakeproof	19X40
8	Cable, Ground Battery	24X9	22	Nut, Hex	15X105
9	Screw	26X49	23	Switch, Seat Sensor	S91031
10	Limit Switch, Transmission	23479	24	Tie Strap	32618
11	Fuse, 15 AMP	54212	25	Clamp, Wire*	21980
13	Limit Switch	91032	26	Clip, Wire Adhesive*	55939

*Part is not shown.

+Part only used on models with lights.