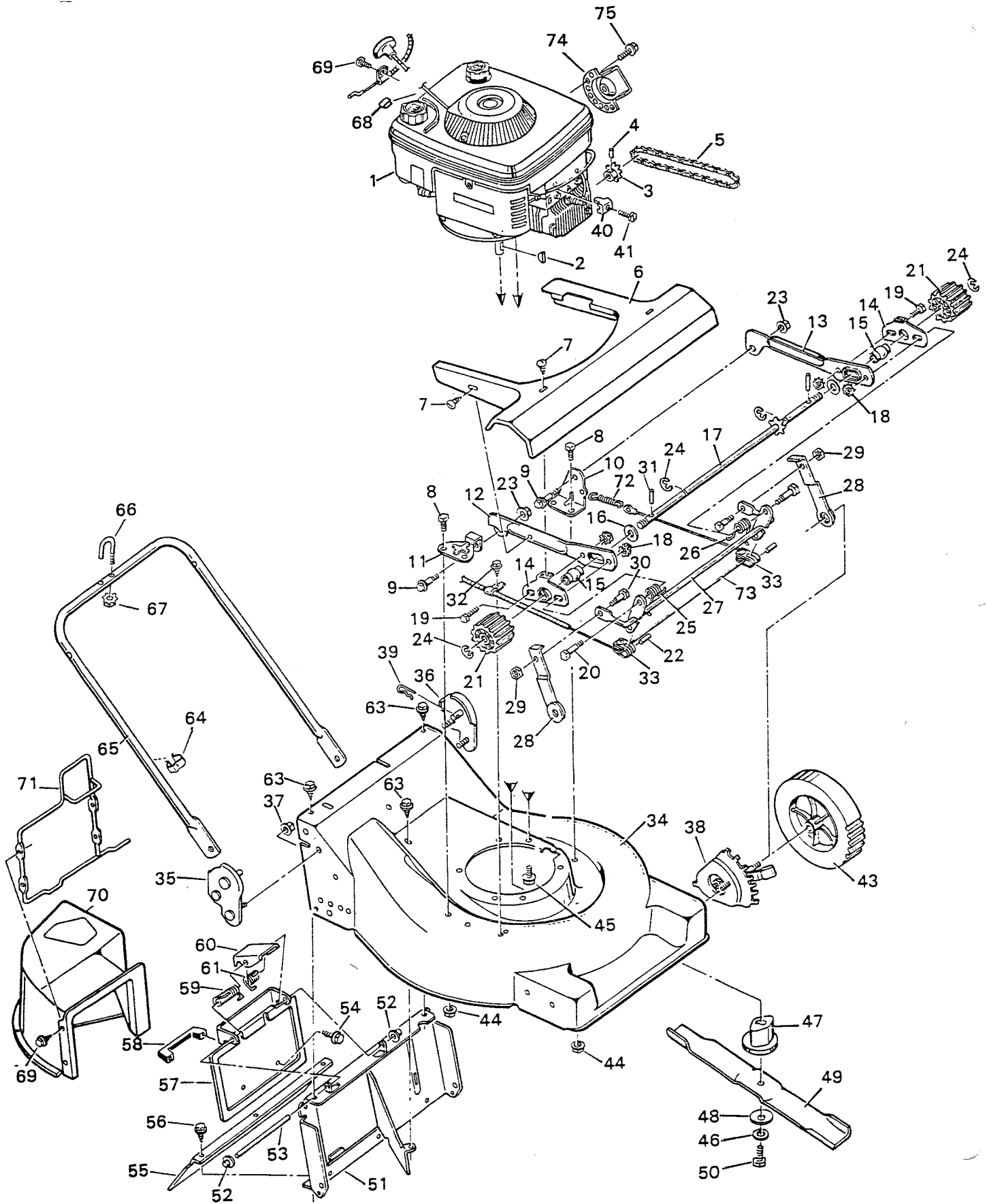


MODEL NO. 8-21951

REAR BAGGER



## REAR BAGGER PARTS LIST

MODEL 8-21951

KEY NO.	DESCRIPTION	PART NO.	KEY NO.	DESCRIPTION	PART NO.
1	Engine*	----	38	Height Adjuster***	----
2	Key, Woodruff	20062	39	Pin, Cotter Hair	31X5
3	Sprocket	42489	40	Clamp	42294
4	Pin, Spring	32X64	41	Screw	26X237
5	Chain, Drive	42488	42	Hub Cap, Optional	20107
6	Guard, Pinion	42490E701	43	Wheel and Tire**	----
7	Screw	26X185	44	Locknut, Flange	15X82
8	Bolt, Hex	1X38	45	Bolt, Engine Mount	25X6
9	Bolt, Shoulder	9X17	46	Washer	17X124
10	Bracket, Left Mounting	42481Z	47	Blade Adapter	42735
11	Bracket, Right Mounting	42482Z	48	Washer	17X137
12	Drive Arm, Right	42484Z	49	Blade	22860HT
13	Drive Arm, Left	42483Z	50	Bolt, Hex	1X69
14	Bracket, Bearing Retainer	42485Z	51	Plate, Rear	43247F200
15	Bearing	20048	52	Push On Cap	28X42
16	Washer	17X100Z	53	Pin, Pivot	215X13Z
17	Sprocket & Drive Shaft	42479Z	54	Screw	26X244
18	Locknut	15X76	55	Deflector, Rear	43263
19	Bolt, Hex	1X45	56	Screw	26X245
20	Bolt, Shoulder	9X1	57	Door, Rear	43261E701
21	Drive Pinion	20066	58	Handle, Door	43256
22	Pin, Spring	32X64	59	Spring, Torsion	166X31
23	Locknut, Flange	15X84	60	Latch	42004Z
24	Ring, Retainer	11X8	61	Spring, Torsion	166X30
25	Spring	166X14	63	Screw	26X214
26	Spring	166X15	64	Clamp	42950
27	Bracket, Tie Rod	42476Z	65	Handle, Lower	43189C
28	Lever, Wheel Connect	42486Z	66	U-Bolt	42896Z
29	Locknut, Flange	15X88	67	Locknut	15X66
30	Bolt, Shoulder	9X8	68	Rope Stop	42189
31	Pin, Spring	32X70	69	Screw	26X234
32	Screw, Tapping	26X195	70	Side Chute +	43019-701
33	Bracket, Pulley	22973	71	Frame Assembly +	43262
34	Housing Assembly	70104	72	Spring, Cable	165X8
35	Bracket, Right Handle	43192	73	Cable	404069
36	Bracket, Left Handle	43193	74	Deflector, Exhaust	43011Z
37	Locknut, Flange	15X79	75	Screw	26X208
			#	Parts Bag	43216
			#	Inst. Book & Parts List	F-88408
			#	Decal-Pinion Guard	43x281

\*The engine model, type, and code numbers are on the engine. All parts to the engine are available from a Briggs & Stratton Authorized Service Center. See "Engines, Gasoline" or "Gasoline Engines" in the yellow pages of the telephone directory.

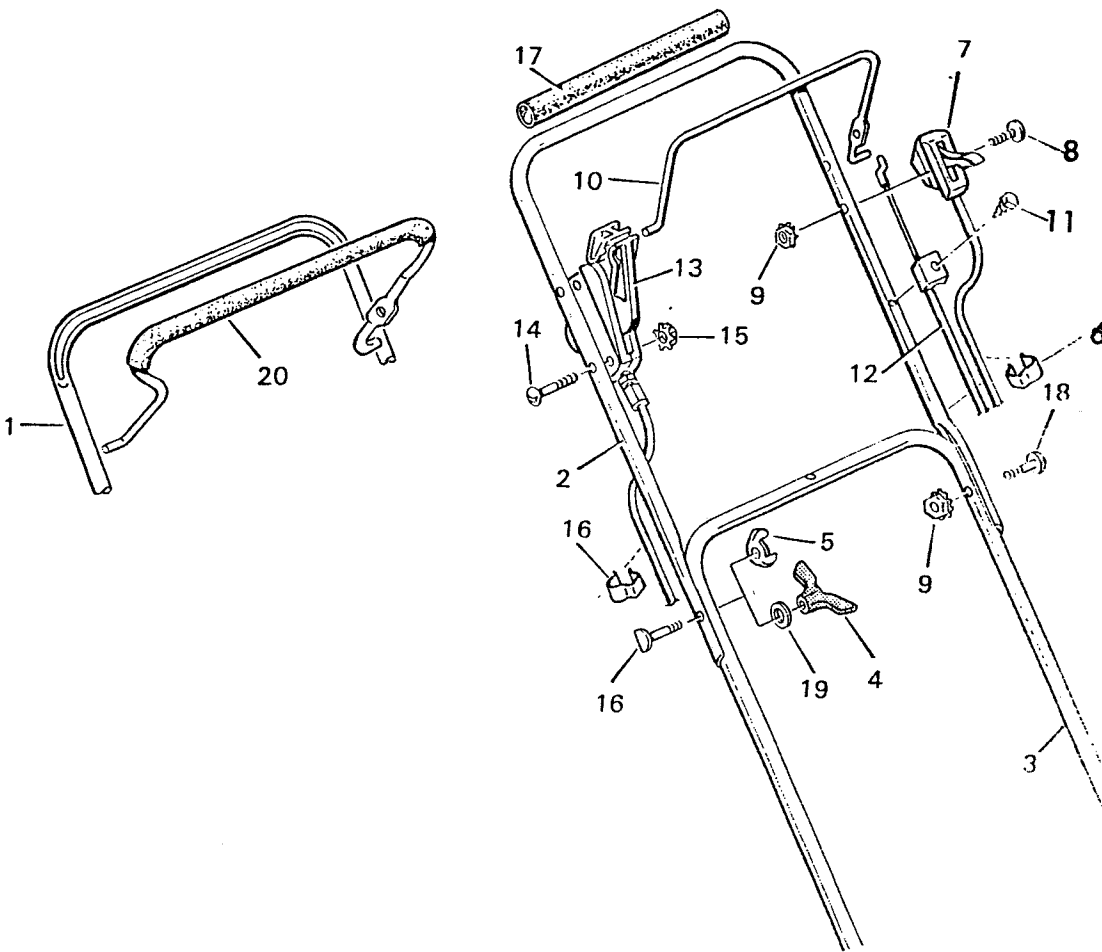
\*\* See the parts list page that shows the wheels and tires.

\*\*\* See the parts list page that shows the height adjuster.

+ Model 8-24071 Side chute conversion kit. This optional accessory gives you the option of discharging the grass to the side.

**MODEL NO. 8-21951**

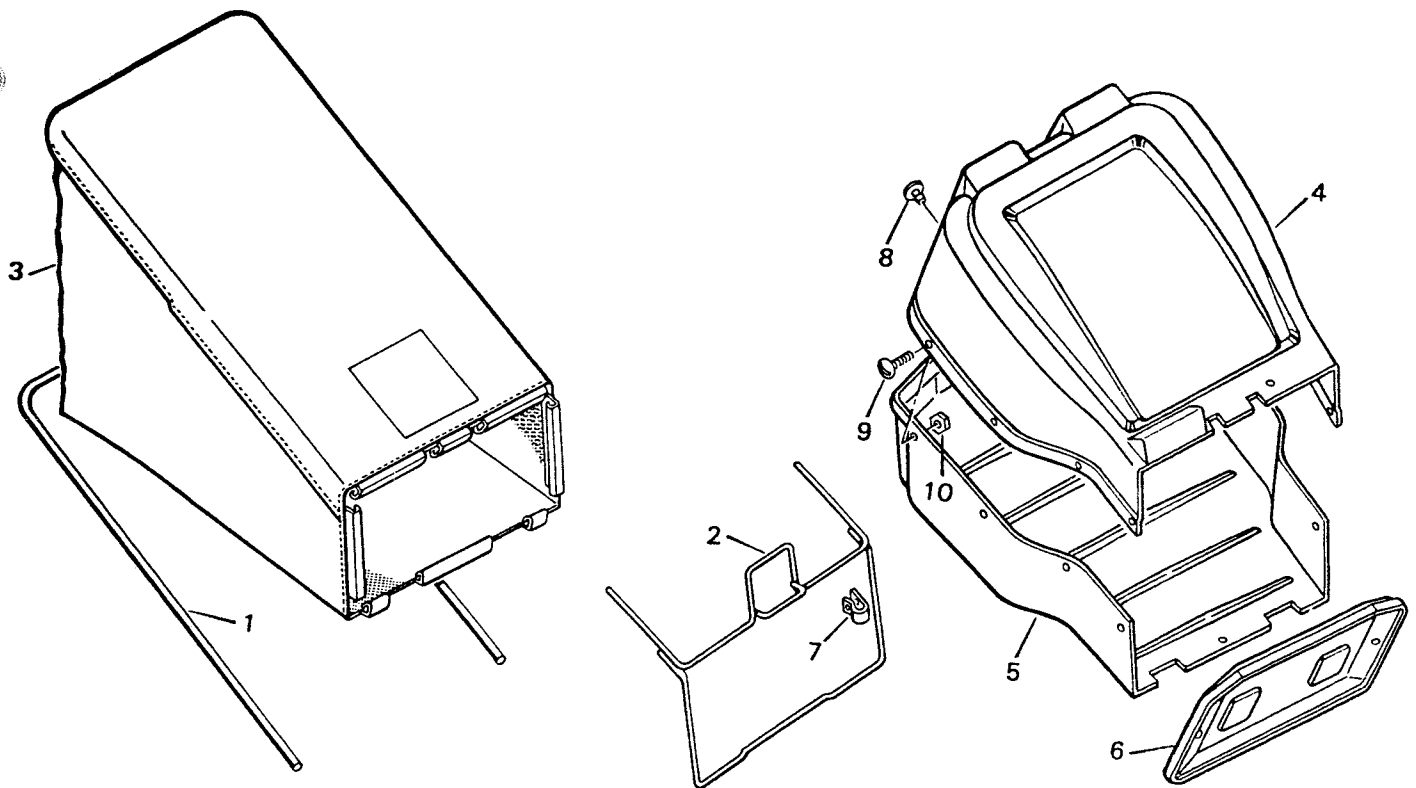
**HANDLE PARTS LIST**



KEY NO.	DESCRIPTION	PART NO.
1	Handle, Upper Deluxe	43309C
2	Handle, Upper-Standard	42428C
3	Handle, Lower	43189C
4	Knob, Plastic	42027
5	Nut, Wing	14X83
6	Clamp, Cable	42950
7	Throttle Control	42879
8	Bolt	3X105
9	Locknut	15x66
10	Lever, Engine Stop	42561C
11	Screw	26X220
12	Cable, Engine Stop	42941
13	Drive Control	42752
14	Bolt	3X147
15	Nut	15X71
16	Bolt	6X73
17	Grip, One Piece	42062
18	Hex Bolt	1X94
19	Washer	17X47Z
20	Lever, Engine Stop	43305

# GRASS BAGGERS

# MODEL NO. 8-21951



KEY NO.	DESCRIPTION	MODEL CLOTH BAG	MODEL HARD BAG
1	Tube, Upper Support	42432	----
2	Frame Assembly, Bag	43264	43299
3	Bag, Black	43296	----
4	Grass Catcher, Top Half	----	43266
5	Grass Catcher, Bottom Half	----	43265
6	Baffle	----	42935
7	Clip	----	192X1
8	Fastener, Panel	----	193X1
9	Screw	----	4X21
10	Nut, Hex	----	15X102