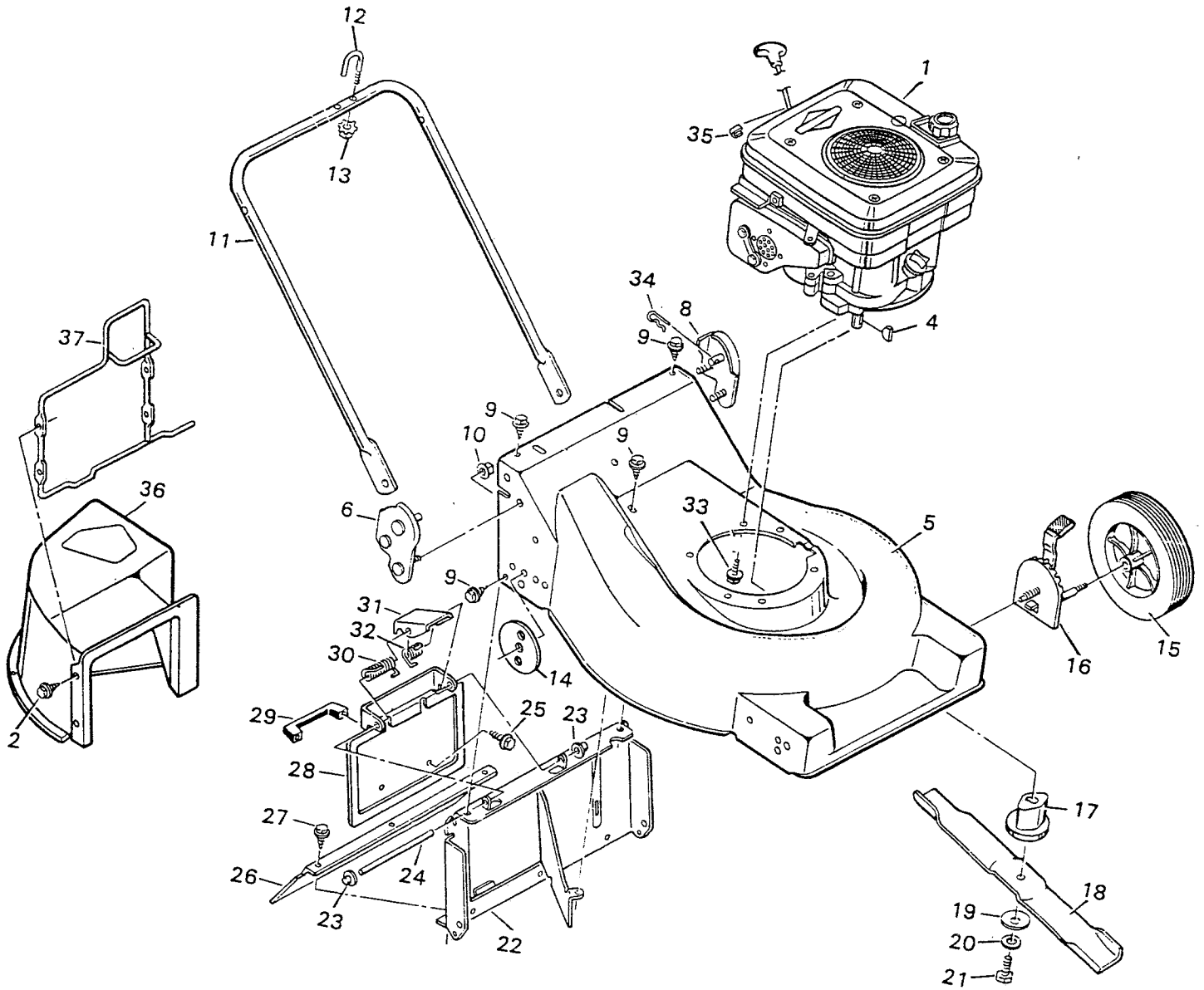


MODEL NO. 8-21861

REAR BAGGER



REAR BAGGER PARTS LIST

MODEL 8-21861

KEY NO.	DESCRIPTION	MODEL 21851	MODEL 21861	KEY NO.	DESCRIPTION	MODEL 21851	MODEL 21861
1	Engine*	----	----	20	Washer	17X124	17X124
2	Screw	26X234	26X234	21	Bolt, Hex	1X69	1X69
4	Key, Woodruff	20062	20062	22	Plate, Rear	43247F200	43247F200
5	Housing	70103	70103	23	Push On Cap	28X42	28X42
6	Bracket, Right Handle	43192	43192	24	Pin, Pivot	215X13Z	215X13Z
8	Bracket, Left Handle	43193	43193	25	Screw	26X244	26X244
9	Screw, Tapping	26X214	26X214	26	Deflector, Rear	43263	43263
10	Nut, Flange	15X79Z	15X79Z	27	Screw	26X245	26X245
11	Handle, Lower	43189C	43189C	28	Door, Rear	43261E701	43261E701
12	Locknut	15X66	15X66	29	Handle, Door	43256	43256
13	U-Bolt	42896Z	42896Z	30	Spring, Torsion	166X31	166X31
14	Spacer	43198	43198	31	Latch	42004Z	42004Z
15	Wheel and Tire**	----	----	32	Spring, Torsion	166X30	166X30
16	Height Adjuster Assy.***	----	----	33	Bolt, Engine Mounting	25X6	25X6
17	Blade Adapter	42735	42735	34	Hair Pin	31X5	31X5
18	Blade	22860HT	22860HT	35	Stop, Rope	----	42189
19	Washer, Blade	17X137	17X137	36	Side Chute+	43019	43019
				37	Frame Assembly +	43262	43262
				#	Inst. Book & Parts List		F-88407
				#	Parts Bag		43428
				#	Decal Front Deck		43X282

*The engine model, type, and code numbers are on the engine. All parts to the engine are available from a Briggs & Stratton Authorized Service Center. See "Engines, Gasoline" or "Gasoline Engines" in the yellow pages of the telephone directory.

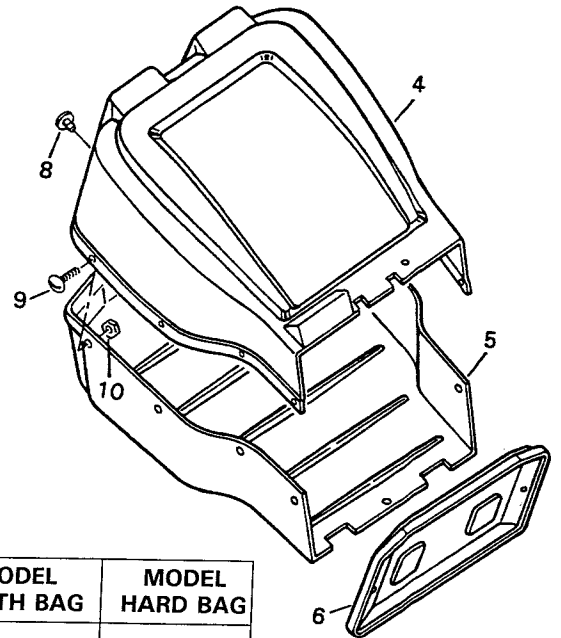
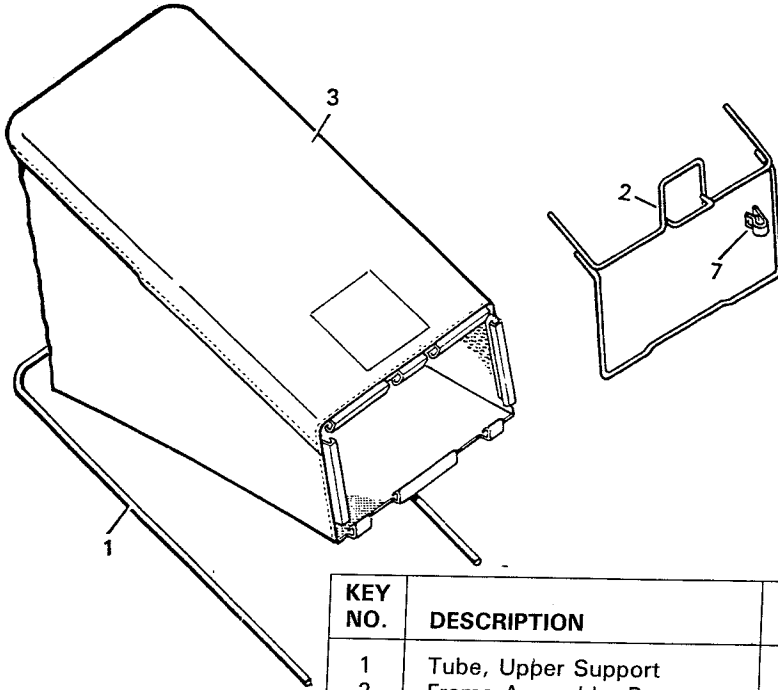
**See the "Wheel And Tire Parts List" page.

***See the "Height Adjuster Parts List" page.

+Model 8-24071 Side chute conversion kit. This optional accessory gives you the option of discharging the grass to the side.

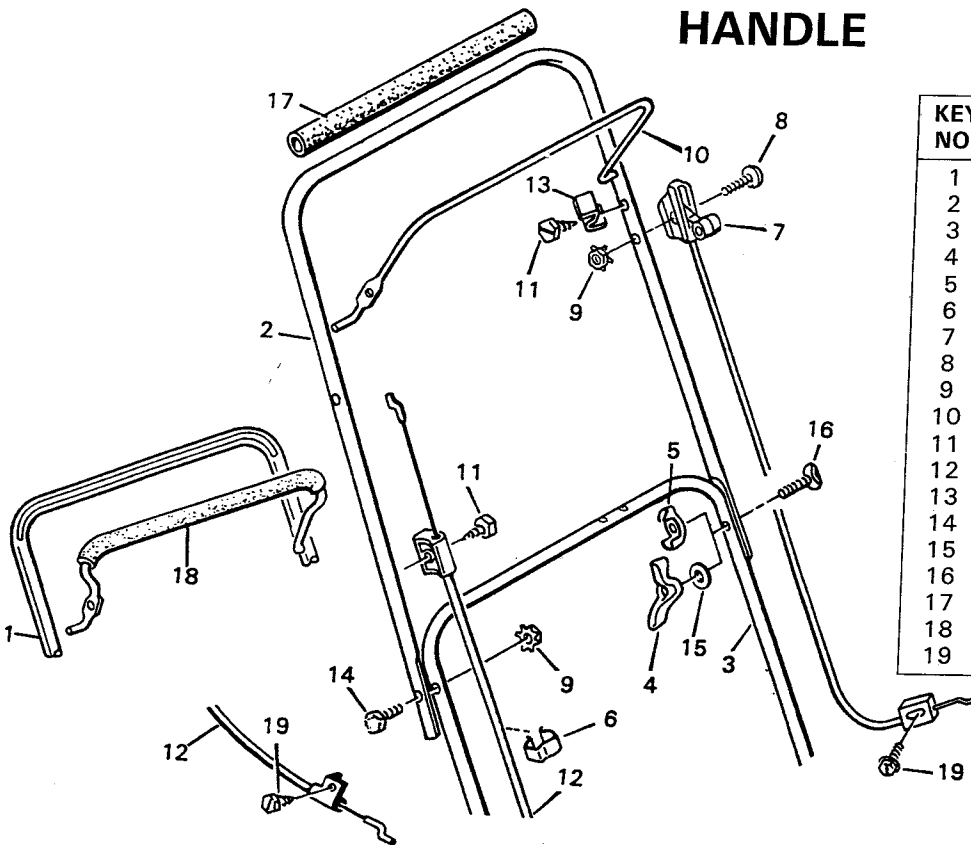
MODEL NO. 8-21861

GRASS BAGGERS



KEY NO.	DESCRIPTION	MODEL CLOTH BAG	MODEL HARD BAG
1	Tube, Upper Support	42432	----
2	Frame Assembly, Bag	43264	43299
3	Bag, Black	43267	----
4	Grass Catcher, Top Half	----	43266
5	Grass Catcher, Bottom Half	----	43265
6	Baffle	----	42935
7	Clip	----	192X1
8	Fastener, Panel	----	193X1
9	Screw	----	4X21
10	Nut, Hex	----	15X102

HANDLE



KEY NO.	DESCRIPTION	PART NO.
1	Handle, Upper Deluxe	43308C
2	Handle, Upper Standard	43301C
3	Handle, Lower	43189C
4	Knob, Plastic	42027
5	Nut, Wing	14X83
6	Clamp, Cable	42950
7	Throttle Control	43376
8	Screw	3X105
9	Locknut	15X66
10	Lever, Engine Stop	42763C
11	Screw	26X220
12	Cable, Engine Stop	43372
13	Stop, Lever	42765Z
14	Bolt	1X94
15	Washer	17X47Z
16	Bolt, Contour Head	6X73
17	Grip, Foam	42062
18	Lever, Deluxe Engine Stop	43303
19	Screw	6X95