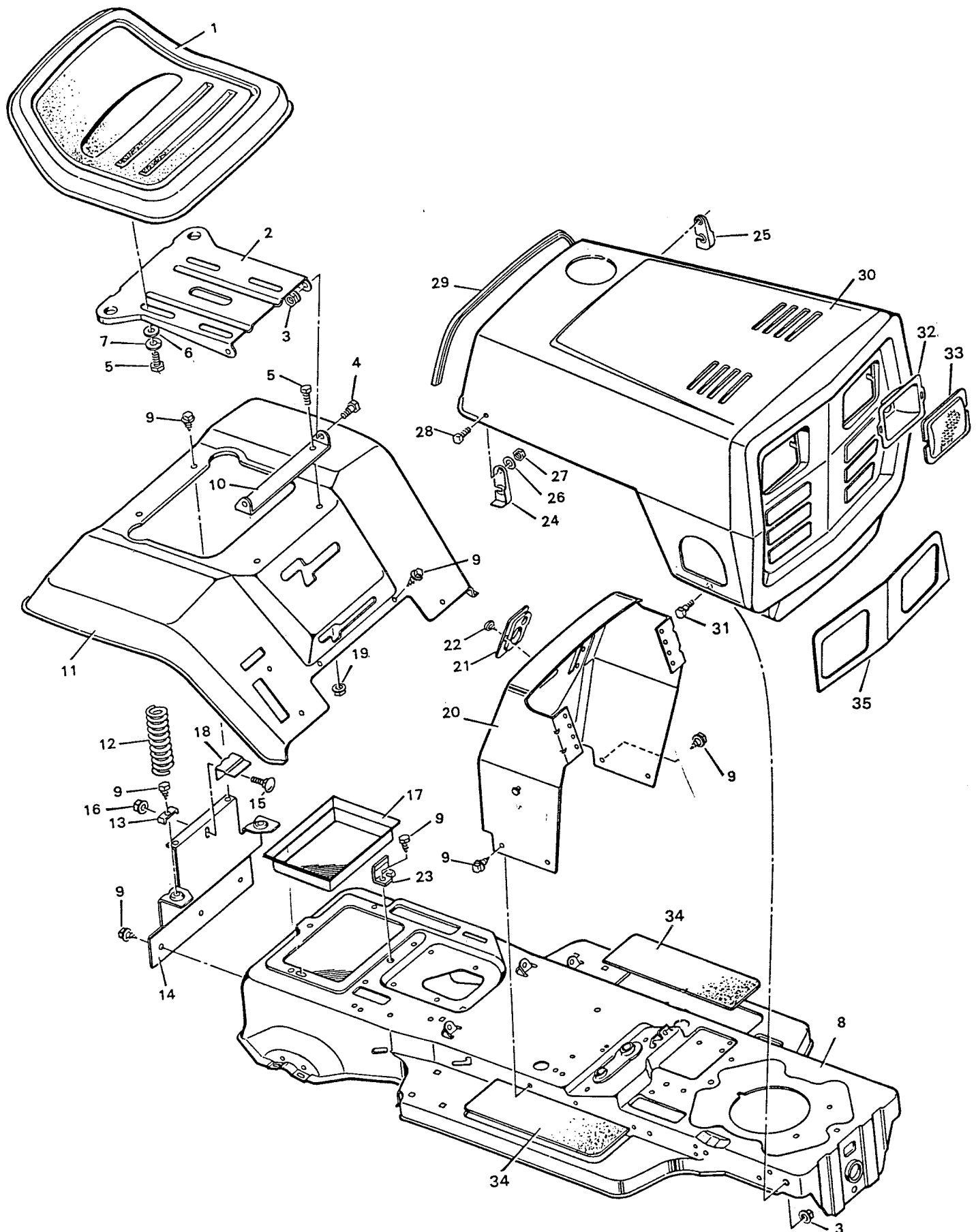


MODEL NO. 7-40713

CHASSIS & HOOD



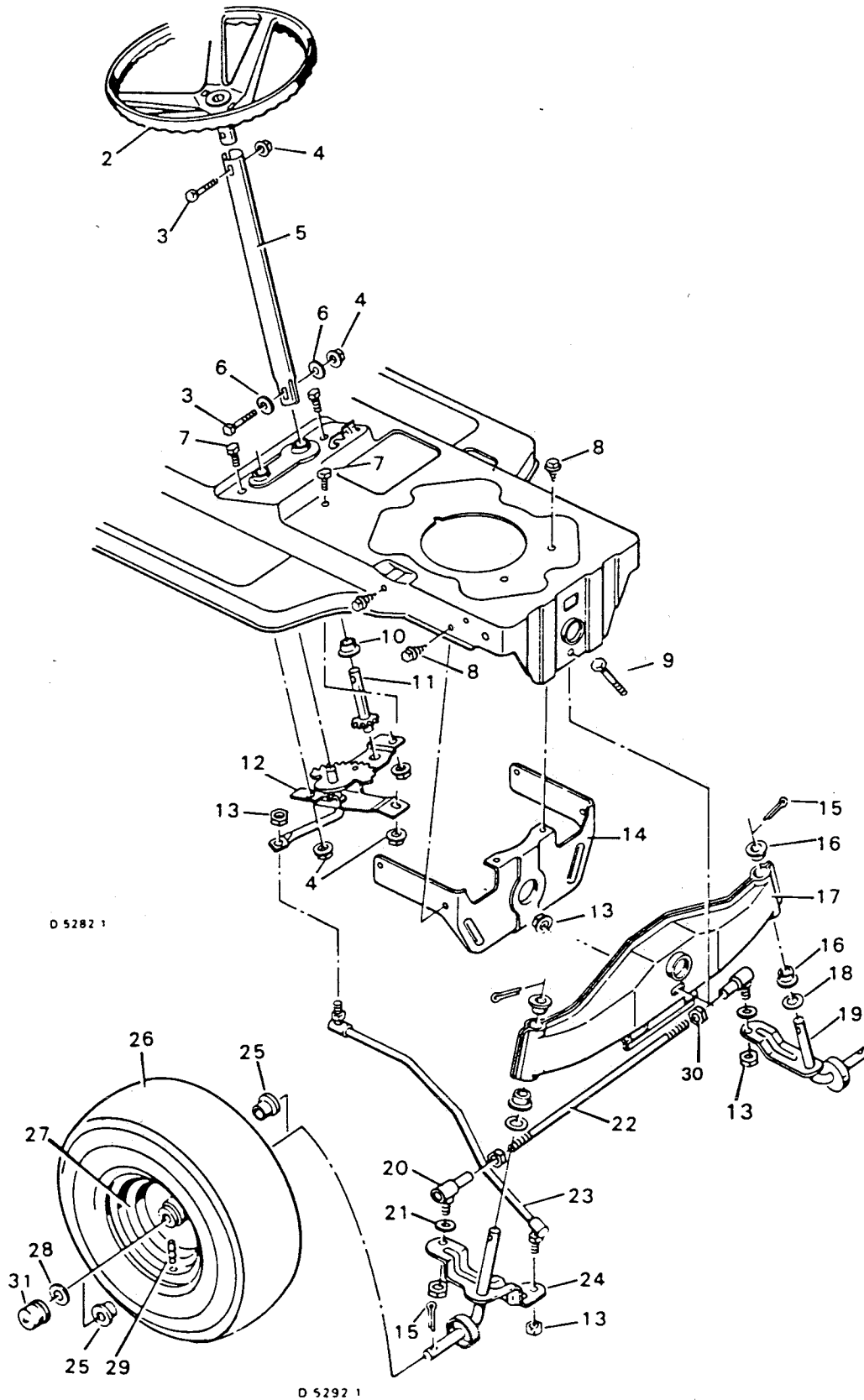
CHASSIS & HOOD**MODEL NO. 7-40713**

KEY NO.	DESCRIPTION	PART NO.
1	Seat	091039
2	Support, Seat	91044
3	Locknut, Flange 3/8''-16	15X84
4	Bolt, Shoulder 3/8''-16X7/8''	9X30
5	Bolt, Hex 5/16''-18X5/8''	1X45
6	Washer	17X47Z
7	Lock Washer	18X16
8	Frame Channel	90001
9	Screw	26X49
10	Bracket, Seat Pivot	90031
11	Seat Deck	90186
12	Spring	164X17
13	Spring Retainer	90014
14	Support, Seat Deck	90633
15	Bolt, Carriage	2X53
16	Locknut 5/16''-18	15X76
17	Battery Tray	24157
18	Battery Clamp	90632Z
19	Locknut, Flange 5/16''-18	15X88
20	Dashboard Assembly	90737
21	Bearing, Steering Post	90081
22	Screw	26X186
23	Battery Clip	55149
24	Latch, Right Hood*	90464Z
25	Latch, Left Hood*	90465Z
26	Washer*	17X17Z
27	Hex Nut #10-24*	15X81
28	Machine Screw #10-24x1/2''*	4X20Z
29	Edge Trim*	90240
30	Hood & Grill Assembly	91119
31	Bolt, Shoulder 3/8''-16x7/8''	9X14
32	Reflector, Headlight	90009C
33	Len, Headlight	90082
34	Mat	90148
35	Trim, Headlight	90159C
36	Screw	26X174
#	Parts Bag	090920
#	Instruction Book	F-87718
#	Parts List	F-87719
#	Decal-Hood RH	58X842
#	Decal-Hood LH	58X841
#	Decal-Seat Deck RH	58X844
#	Decal-Seat Deck LH	58X843
#	Decal-Grille	58X845

*Part Number included with key no. 30.

MODEL NO. 7-40713

STEERING



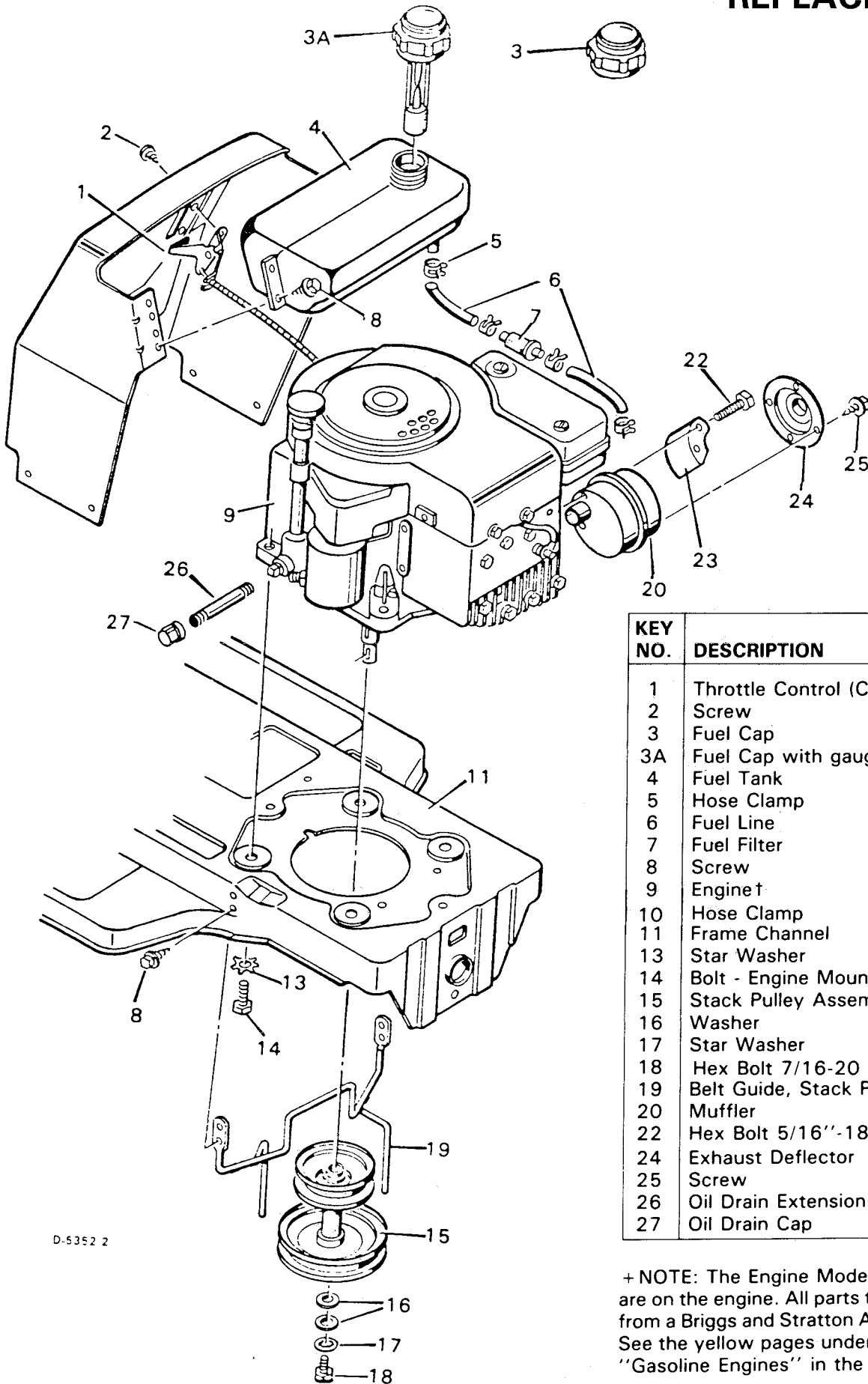
STEERING**MODEL NO. 7-40713**

KEY NO.	DESCRIPTION	PART NO.
2	Steering Wheel	090576
3	Bolt, Hex 5/16''-18X1 1/2''	1X102
4	Locknut	15X88
5	Steering Post	90130C
6	Washer	17X47Z
7	Bolt, Hex 5/16''-18X5/8''	1X45
8	Screw	26X49
9	Bolt, Hex 3/8''-24X3 1/4''	1X101
10	Bearing	90035
11	Pinion Gear & Shaft	90132
12	Sector Gear Assembly	90025
13	Locknut, Flange 3/8''-24	15X87
14	Support, Front Axle	90002
15	Cotter Pin	30X49
16	Bearing	90035
17	Axle Assembly	90034
18	Washer	17X113
19	Spindle, Left Hand	90139
20	Ball Joint	21031
21	Washer	17X124
22	Tie Rod	21475
23	Drag Link Assembly	90041
24	Spindle, Right Hand	90138
25	Bearing	55599
26	Tire Only*	24376
—	Inner Tube	407047
27	Wheel Only	24488E
28	Washer, Hub Caps Only	17X115
—	Washer, Without Hub Caps	17X83Z
29	Valve Stem & Cap	24373
30	Nut, Hex 3/8''-24	15X61
31	Hub Cap, Optional	21662

*When you order a tire, make sure to give the brand name of the tire so that the tread pattern on the tire will match.

MODEL NO. 7-40713

**ENGINE MOUNT
REPLACEMENT PARTS**



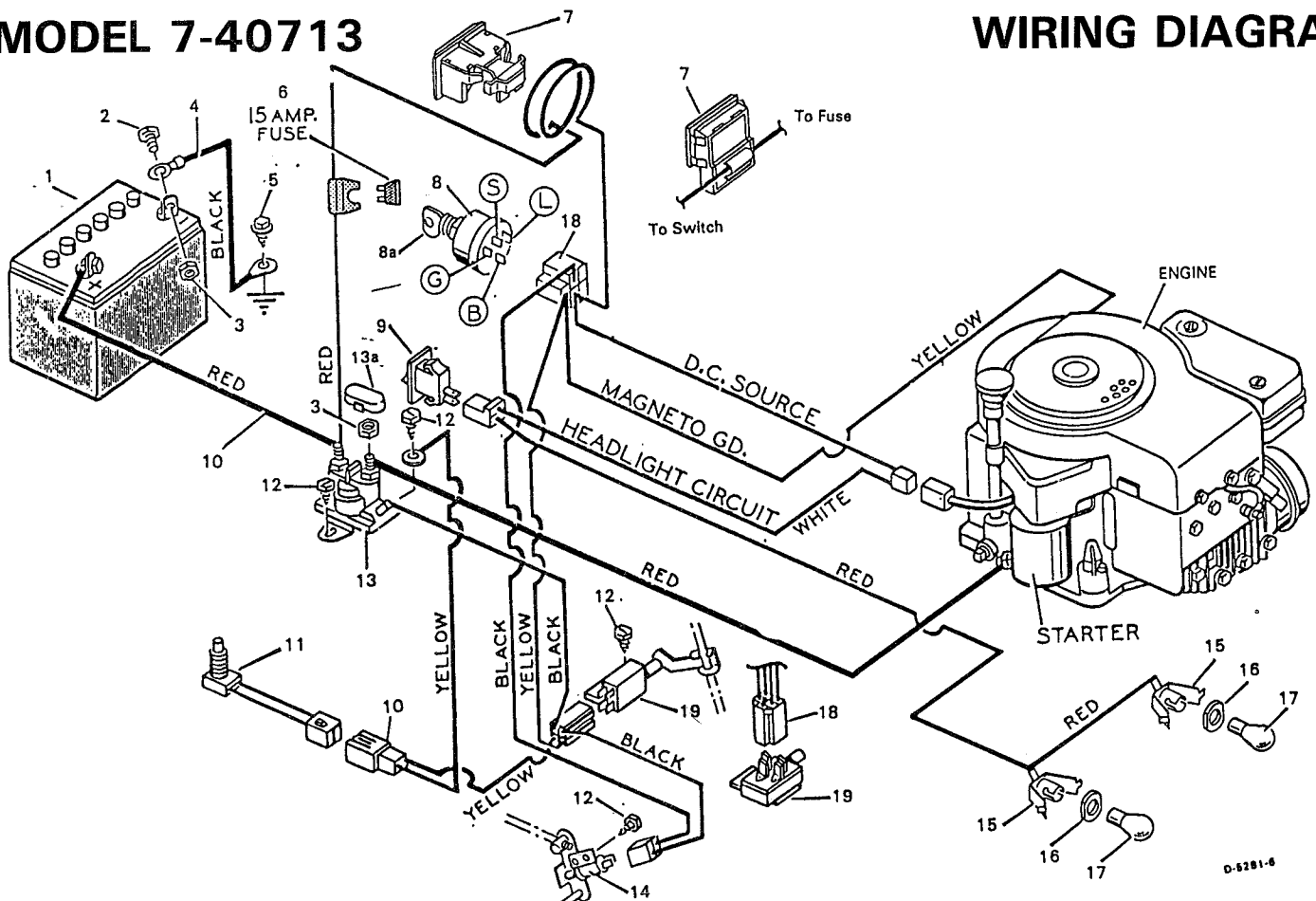
KEY NO.	DESCRIPTION	PART NO.
1	Throttle Control (Complete)	90728
2	Screw	26X159
3	Fuel Cap	23711
3A	Fuel Cap with gauge	24064
4	Fuel Tank	23300
5	Hose Clamp	23713
6	Fuel Line	90671
7	Fuel Filter	24159
8	Screw	26X214
9	Engine†	---
10	Hose Clamp	91174
11	Frame Channel	90001
13	Star Washer	19X8
14	Bolt - Engine Mount	25X6
15	Stack Pulley Assembly	91557Z
16	Washer	17X103Z
17	Star Washer	19X35
18	Hex Bolt 7/16-20	1X80
19	Belt Guide, Stack Pulley	90560Z
20	Muffer	91271PA
22	Hex Bolt 5/16"-18X3 1/4"	1X134
24	Exhaust Deflector	23740Z
25	Screw	26X203
26	Oil Drain Extension	24066
27	Oil Drain Cap	21651

+ NOTE: The Engine Model, Type & Code Numbers are on the engine. All parts to the engine are available from a Briggs and Stratton Authorized Service Center. See the yellow pages under, "Engines, Gasoline" or "Gasoline Engines" in the telephone directory.

D-5352 2

MODEL 7-40713

WIRING DIAGRAM



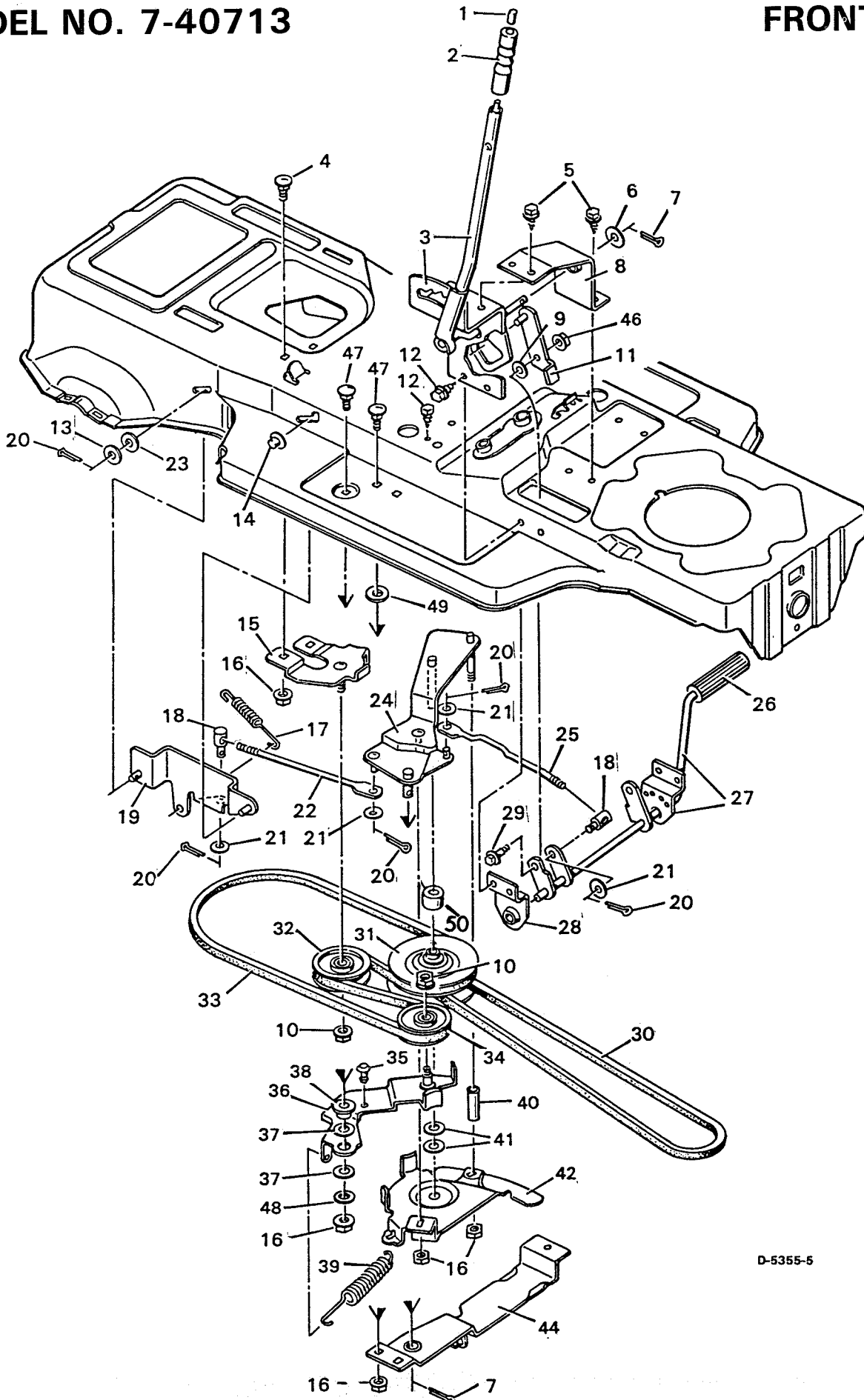
KEY NO.	DESCRIPTION	PART NO.
1	Battery, 25 AMP	21065
—	Electrolyte (Battery Acid)	90665
—	Battery Caps	400262
2	Bolt, Hex ¼"-20X5/8"	1X38
3	Locknut ¼"-20	15X66
4	Battery Cable, Black	24X9
5	Screw	26X49
6	Fuse	54212
7	Ammeter Assembly*	90829
8	Ignition Switch and Key	21064PA
8a	Key Only	20729
9	Light Switch	90647
10	Wire Harness	250X3
11	Switch, Seat	S91031
12	Screw	26X233
13	Solenoid	24285
13a	Cover, Solenoid	90565
14	Switch, Limit	24273
15	Light Socket Assembly	90155
16	Washer, Light Socket	90228
17	Headlight Bulb	90084
18	Wiring Harness	250X1
19	Switch, PTO**	91032
—	Tie Strap	32618

* NOTE: Two Ammeters (Key No. 7) are shown in the diagram. Your unit will only have one ammeter. Both ammeters are shown because of the difference in appearance and how they connect.

** NOTE: Two PTO Switches (Key No. 19) are shown in the diagram. Your unit will only have one switch. Both switches are shown because of the difference in appearance and how they connect.

MODEL NO. 7-40713

FRONT DRIVE



D-5355-5

FRONT DRIVE

MODEL NO. 7-40713

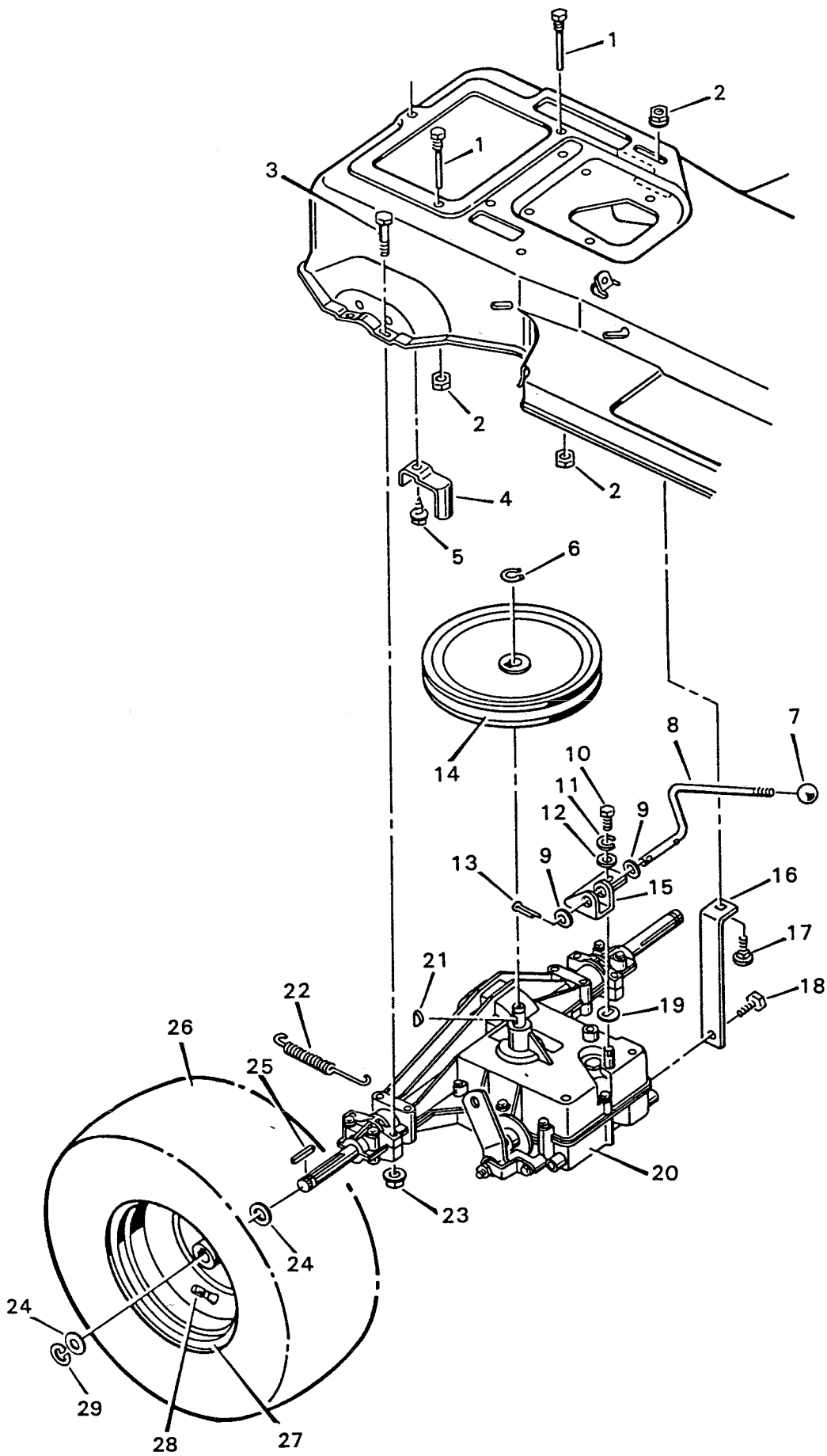
KEY NO.	DESCRIPTION	PART NO.
1	Button	091261
2	Grip, Speed Selector	091398
3	Speed Selector Handle Ass'y	090919
4	Bolt, Carriage 5/16''-18X5/8''	2X64
5	Screw	26X49
6	Washer	17X87Z
7	Cotter Pin	30X49
8	Bracket, Speed Selector	90519
9	Washer	17X90
10	Locknut, Flange 3/8''-16	15X84
11	Speed Selector Link Assembly	90529
12	Screw	26X197
13	Washer	17X116Z
14	Retainer Cap	28X48
15	Idler Bracket Assembly	90705
16	Nut, Flange 5/16''-18	15X79
17	Spring, Extension Brake	165X45
18	Nut, Adjustable	21920
19	Brake Plate Assembly	90527
20	Cotter Pin	30X20
21	Washer	17X53Z
22	Rod, Brake Link	90538ZS
23	Washer	17X47Z
24	Support Assembly, Upper	90543
25	Rod, Clutch/Brake Link	90525ZS
26	Clutch/Brake Pedal	21544
27	Pedal Lever Assembly	91331
28	Support Bracket	90013
29	Bolt, Shoulder	9X8
30	Belt, Primary Drive*	400285
31	Variator Pulley Assembly †	90564
32	Pulley, Idler	91179
33	Belt, Secondary Drive*	400285
34	Pulley, Idler	91178
35	Slide Button	90506
36	Idler Bracket Assembly	90534Z
37	Thrust Washer	17X142
38	Spacer, Idler Bracket	90508
39	Spring, Extension	165X44
40	Spacer, Variator Support	121X74Z
41	Washer, Thrust	17X139
42	Variator Support, Lower	90540
44	Pivot Support Assembly	90537
46	Locknut, Flange 5/16''-18	15X88
47	Bolt, Carriage 5/16''-18X1''	2X72
48	Washer	17X146Z
49	Washer	10851Z
---	Grease, Variator	407061
50	Variator Replacement Bearing	403091

*Part number 400285 includes both the Primary and the Secondary Drive Belts. Both belts must be replaced even if only one of the belts is damaged.

† There is a bearing replacement tool Part No. 403220 that comes with two replacement bearings, now available.

MODEL NO. 7-40713

REAR DRIVE



D-5411-5

REAR DRIVE**MODEL NO. 7-40713**

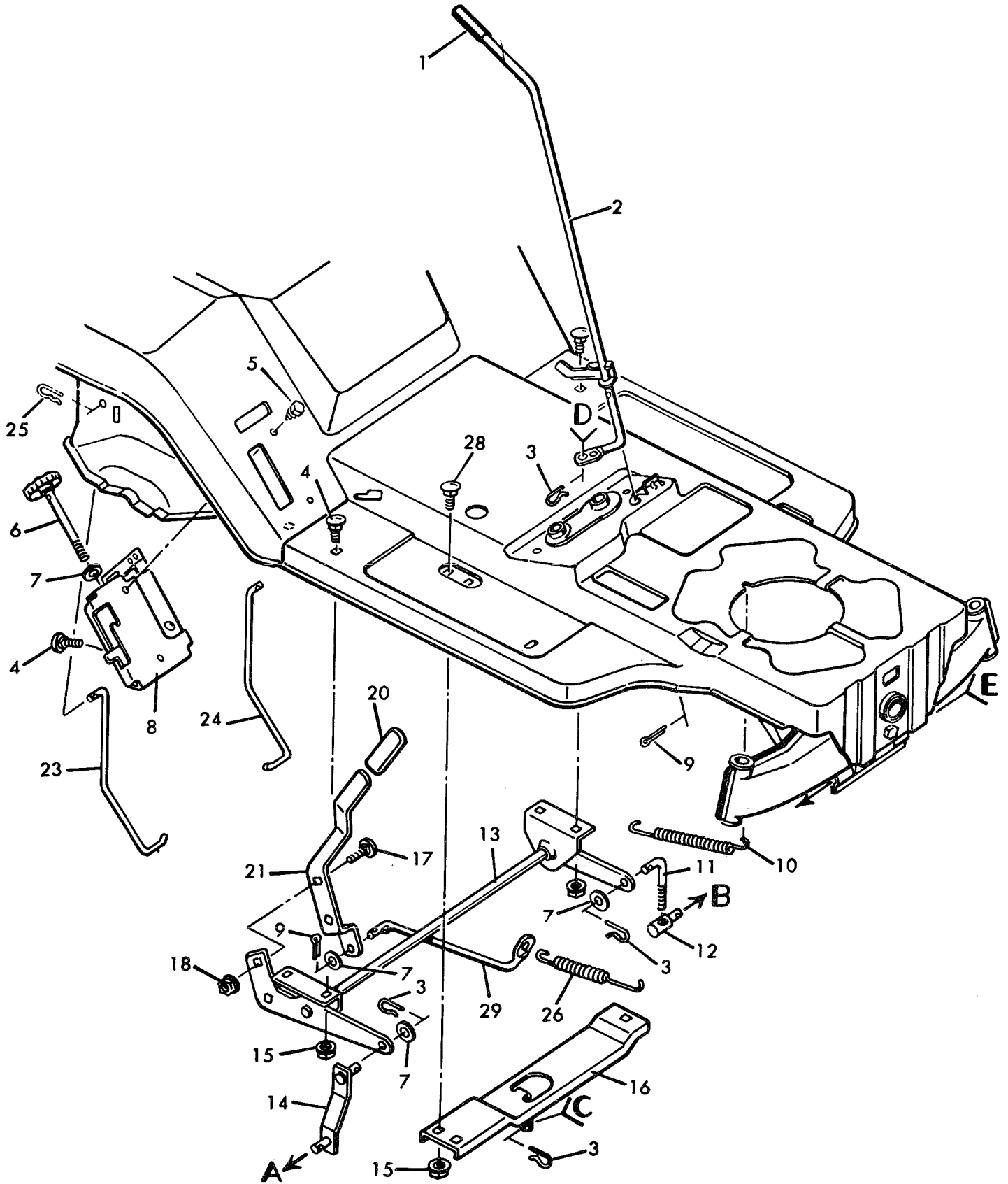
KEY NO.	DESCRIPTION	PART NO.
1	Bolt, Belt Guide	20619
2	Nut, Flange 5/16"-18	15X79Z
3	Bolt, Hex 5/16"-18X1 7/8"	1X98
4	Belt Guide	90693
5	Screw	26X49
6	Retainer Ring	11X7
7	Knob, Shift Lever	20739
8	Lever, Shift	90670ZD
9	Washer	17X102Z
10	Bolt, Hex 1/4"-28X1/2"	1X82
11	Lockwasher	18X32
12	Washer	17X32Z
13	Cotter Pin	30X20
14	Pulley, Input Drive	90706
15	Shifter Yoke	90669
16	Support, Transaxle	90687Z
17	Bolt, Carriage 5/16"-18X3/4"	2X53Z
18	Screw	26X207
19	Washer	17X134
20	Transaxle, Peerless Model 900-008*	---
21	Woodruff Key #9	20697
22	Spring, Brake	165X34
23	Locknut, Flange 5/16"-18	15X88
24	Washer, Transaxle	17X160
25	Square Key 3/16"x2"	21553
26	Tire Only**	90807
—	Inner Tube	407049
27	Wheel Only	24351E
28	Valve Stem and Cap	24373
29	E-Ring	11X3

*Parts are available from a Tecumseh-Authorized Service Center. See "Engines, Gasoline" or "Gasoline Engines" in the yellow pages of the telephone directory.

**When you order a tire, make sure to give the brand name of the tire so that the tread pattern on the tire will match.

MODEL NO. 7-40713

BLADE HOUSING SUSPENSION



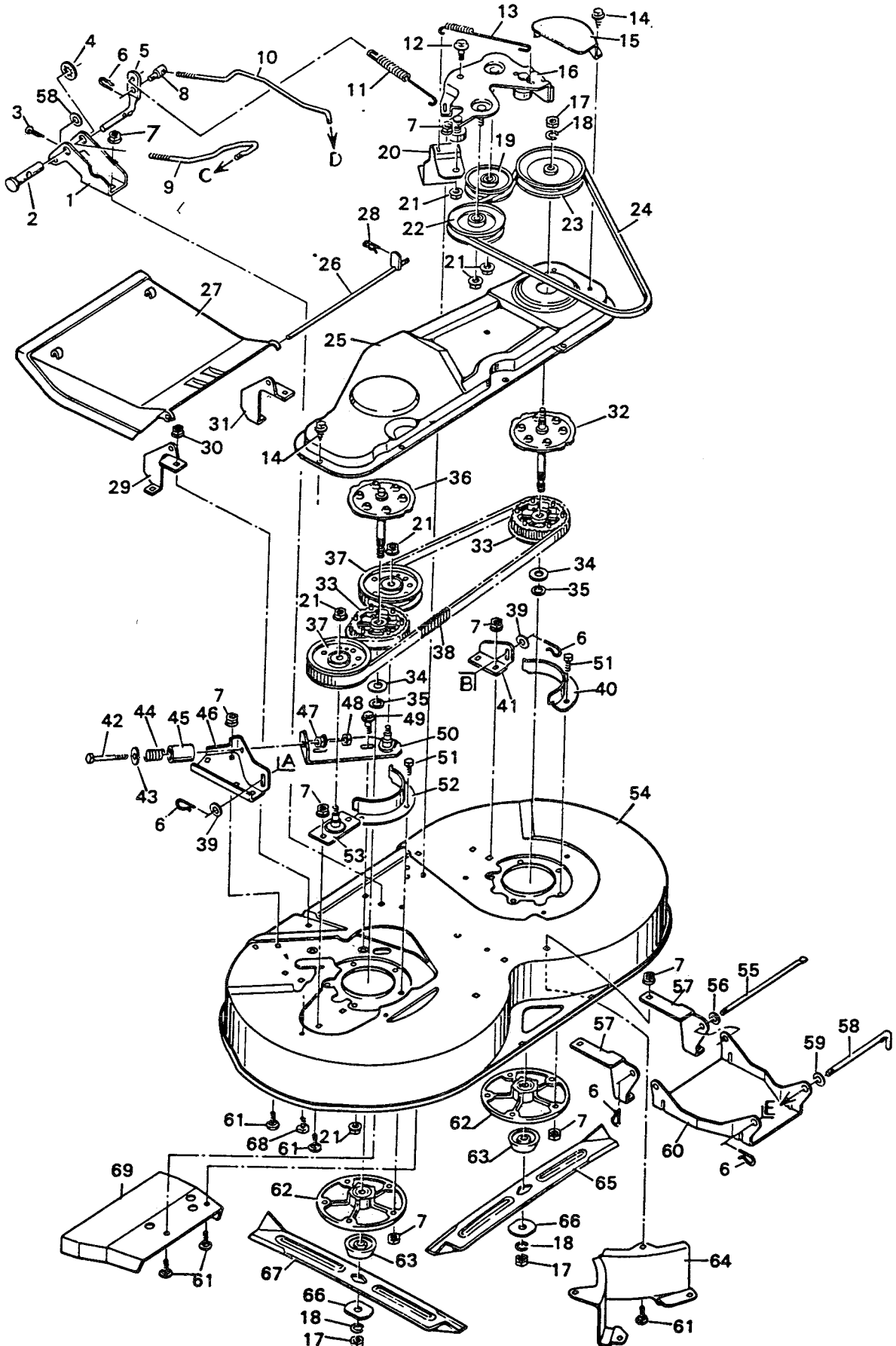
BLADE HOUSING SUSPENSION**MODEL NO. 7-40713**

KEY NO.	DESCRIPTION	PART NO.
1	Grip, Blade Engagement Control	020476
2	Lever, Blade Engagement Control	90030Z
3	Hair Pin*	31X4
4	Bolt, Carriage	2X64
5	Screw	26X49
6	Adjuster Screw Assembly	90078Z
7	Washer*	17X53Z
8	Bracket Assembly, Adjuster	404063
9	Cotter Pin	30X20
10	Spring, Blade Engagement Control*	165X32
11	Rod, Adjuster*	23704ZD
12	Nut, Adjustable*	21920
13	Lifter Assembly	90825
14	Link Assembly*	90754Z
15	Nut, Hex 5/16''-18	15X79
16	Support, Channel	90537
17	Bolt, Carriage	2X57
18	Locknut 3/8''-16	15X84
20	Grip, Lifter Handle	21249
21	Handle, Lifter	90801E
23	Rod, Right Deflector*	90888Z
24	Rod, Left Deflector*	90889Z
25	Hair Pin*	31X6
26	Spring, Lifter Extension	165X60
27	Washer	10851Z
28	Bolt, Carriage	2X72
29	Rod	90797Z

Parts that have an asterisk in the description are included with the complete blade housing. See the parts list for the blade housing.

MODEL NO. 7-40713

REPLACEMENT PARTS MOWER HOUSING



D-8069

REPLACEMENT PARTS MOWER HOUSING

MODEL NO. 7-40713

KEY NO.	DESCRIPTION	PART NO.	KEY NO.	DESCRIPTION	PART NO.
1	Bracket, Rear Hanger*	90881	37	Pulley, Flat Idler	90865
2	Bar, Adjusting	90907	38	Belt, 8mm HTD Cross Drive	37X54
3	Pin, Cotter	30X20	39	Washer	17X53Z
4	Nut, Push	28X54	40	Guide, Left Belt	90893Z
5	Lever, Deck Pivot	90339Z	41	Bracket, Lifter*	90103
6	Pin, Hair	31X4	42	Bolt, Hex 3/8''-16X4''	1X123
7	Nut, Hex 5/16''-18*	15X79Z	43	Washer	17X158
8	Nut, Adjustable	21920	44	Spring, Compression	164X18
9	Rod, Link	90544Z	45	Absorber	90895
10	Rod, Control	90885Z	46	Bracket, Idler & Deck Lift*	90894
11	Spring, Extension	165X63	47	Nut, Jam 3/8''-16	15X73
12	Bolt, Shoulder	9X12	48	Locknut, Flange 3/8''-16	15X68
13	Spring, Extension	165X61	49	Bolt, Shoulder	9X14
14	Screw	26X214	50	Bracket Assembly, Idler	90880Z
15	Guard, Pulley	90858E	51	Bolt, Hex 5/16''-18X1''	1X84
16	Brake Assembly, Idler and	407076	52	Guide, Right Belt	90892Z
17	Locknut 9/16''-18	15X101	53	Bracket Assembly, Idler*	90879
18	Lockwasher	18X33	54	Blade Housing-See Note	91222
19	Pulley, Idler	23238	55	Rod, Hanger	90107Z
20	Bracket, Idler Support*	90859	56	Washer	17X57Z
21	Locknut 3/8''-16	15X84	57	Bracket, Front Hanger*	90854
22	Pulley, V-Idler	90315	58	Pin, Pull	90827Z
23	Pulley	90872	59	Washer	17X122Z
24	Belt, Blade Drive	37X40	60	Hanger, Front	90106E
25	Cover, Blade Drive	90898E	61	Bolt, Carriage*	2X53Z
26	Pin, Deflector Pivot	91219Z	62	Housing, Mandrell	90905
27	Deflector	91399	63	Adapter, Blade	90891
28	Pin, Hair	31X6	64	Baffle, Front*	91211
29	Bracket, Right Chute*	90863	65	Blade, Left	91213HT
30	Locknut 5/16''-18	15X88	66	Washer	20663Z
31	Bracket, Left Chute*	90864	67	Blade, Right	91212HT
32	Shaft Assembly, Left Spline	90882	68	Bolt, Hex 5/16''-18X5/8''*	1X45
33	Sprocket, HTD	90875	-	Mower Housing -complete +	
34	Washer	17X157	69	Plate, Deflector	91214
35	Washer	17X149			
36	Shaft Assembly, Right Spline	90883			

* NOTE: Parts with an asterisk (*) are included with key number 54.

+ NOTE: The mower housing complete includes this page and the parts that are indicated with an asterisk (*).