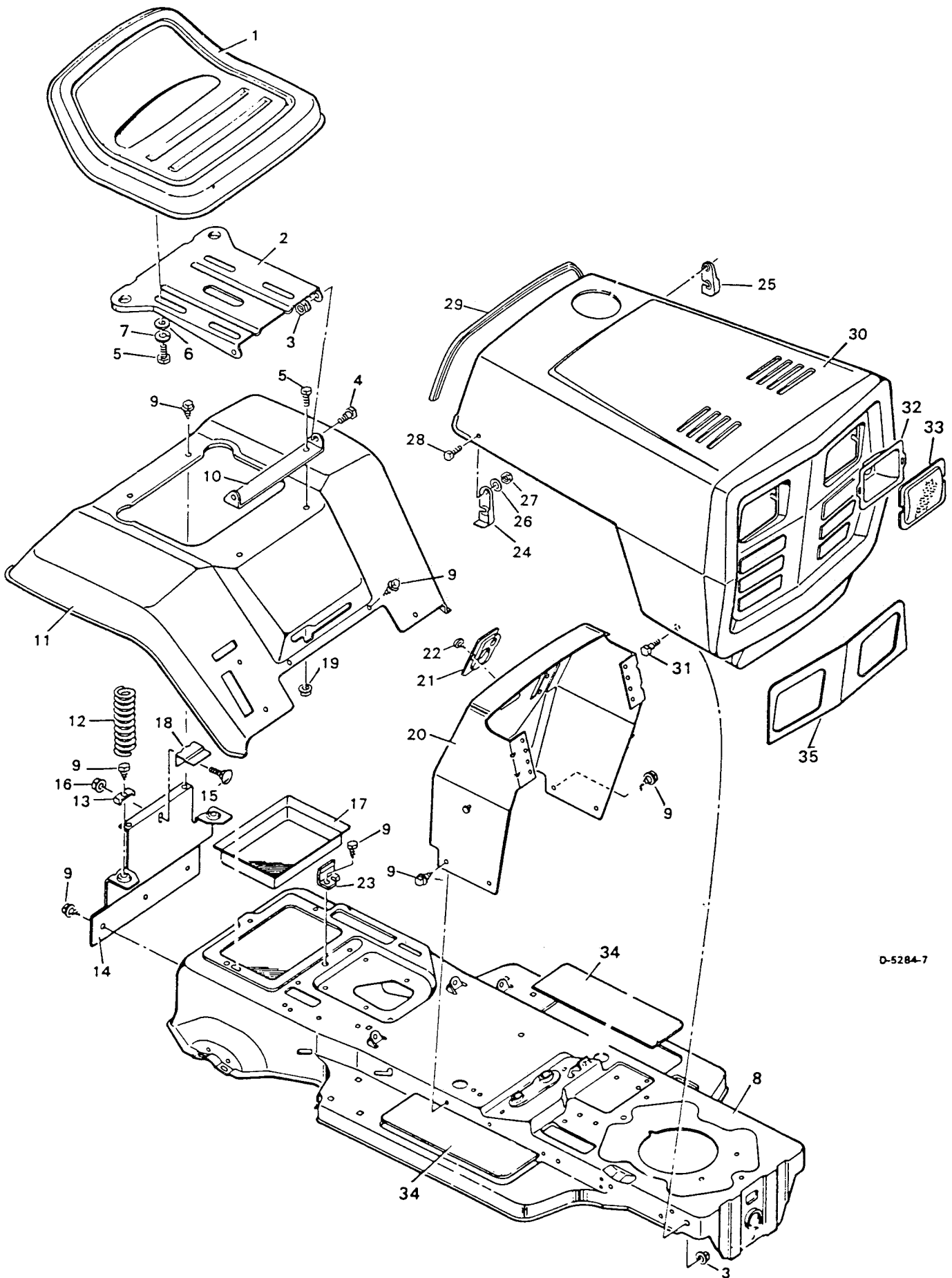


MODEL NO. 7-36508

CHASSIS & HOOD



D-5284-7

CHASSIS & HOOD**MODEL NO. 7-36508**

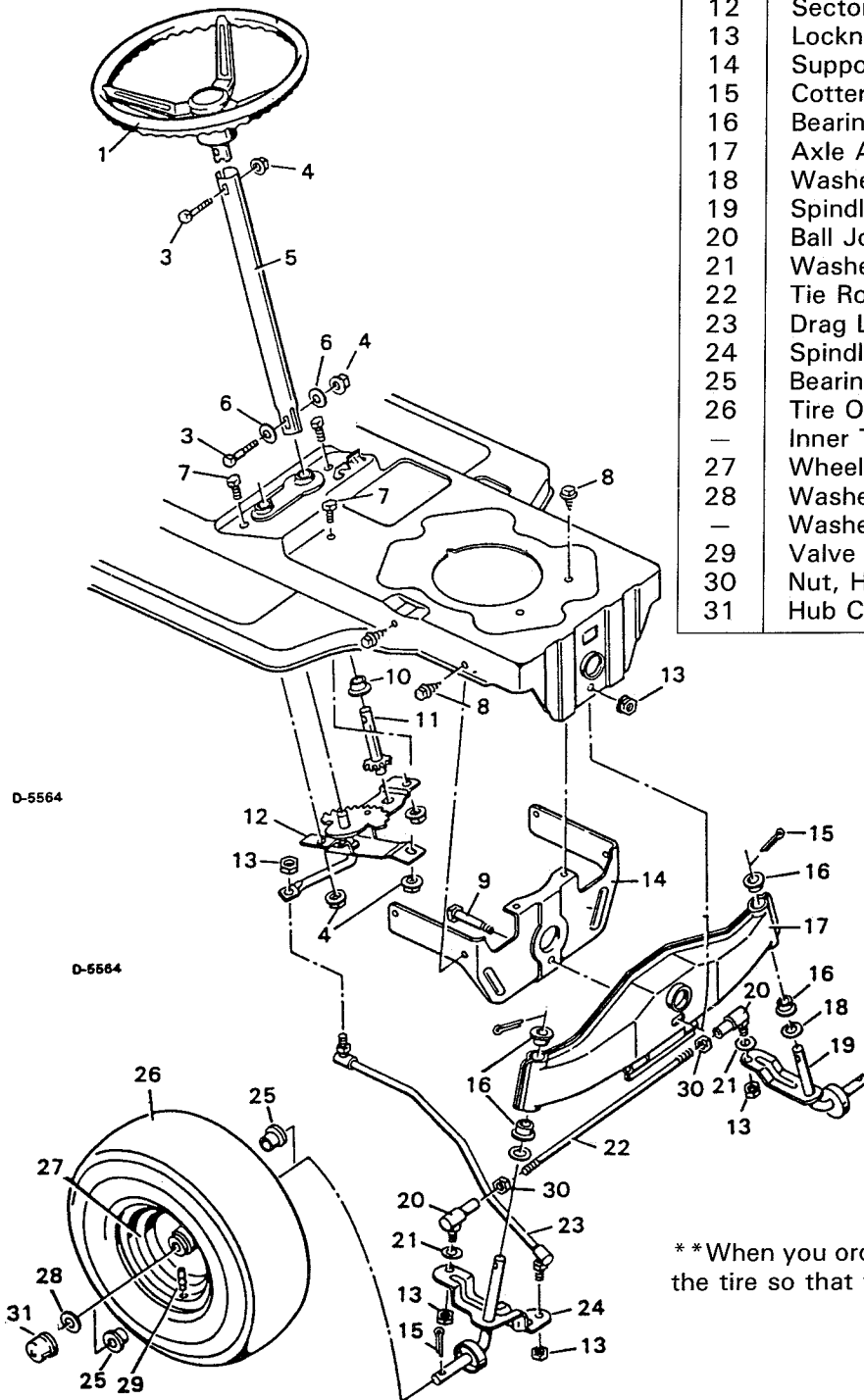
KEY NO.	DESCRIPTION	PART NO.
1	Seat	91039
2	Support, Seat	91044
3	Locknut, Flange 3/8"-16	15X84
4	Bolt, Shoulder 3/8"-16X5/8"	9X17
5	Bolt, Hex 5/16"-18X5/8"	1X45
6	Washer	17X47Z
7	Lock Washer	18X16
8	Frame Channel	90001
9	Screw	26X49
10	Bracket, Seat Pivot	90031
11	Seat Deck	91387
12	Spring	164X17
13	Spring Retainer	90014
14	Support, Seat Deck	90633
15	Bolt, Carriage	2X53Z
16	Locknut 5/16"-18	15X76
17	Battery Tray	24157
18	Battery Clamp	90632Z
19	Locknut, Flange 5/16"-18	15X88
20	Dashboard Assembly	90737
21	Bearing, Steering Post	90081
22	Screw	26X186
23	Battery Clip	55149
24	Latch, Right Hood*	90464Z
25	Latch, Left Hood*	90465Z
26	Washer*	17X17Z
27	Hex Nut #10-24*	15X81
28	Machine Screw #10-24X½"*	4X20Z
29	Edge Trim*	90240
30	Hood & Grille Assembly	90470
31	Bolt, Shoulder 3/8"-16X7/8"	9X14Z
32	Reflector, Headlight	90009C
33	Lens, Headlight	90082
34	Mat	90148
35	Trim, Headlight	90159C
	Instruction Book	F-87700
	Parts List	F-87702
	Parts Bag	91064
	Decal R.H. Hood	58X842
	Decal L.H. Hood	58X841
	Decal R.H. Seat Deck	58X848
	Decal L.H. Seat Deck	58X849
	Decal-Grille	58X845

* Part Number included with key no. 30.

MODEL NO. 7-36508

STEERING

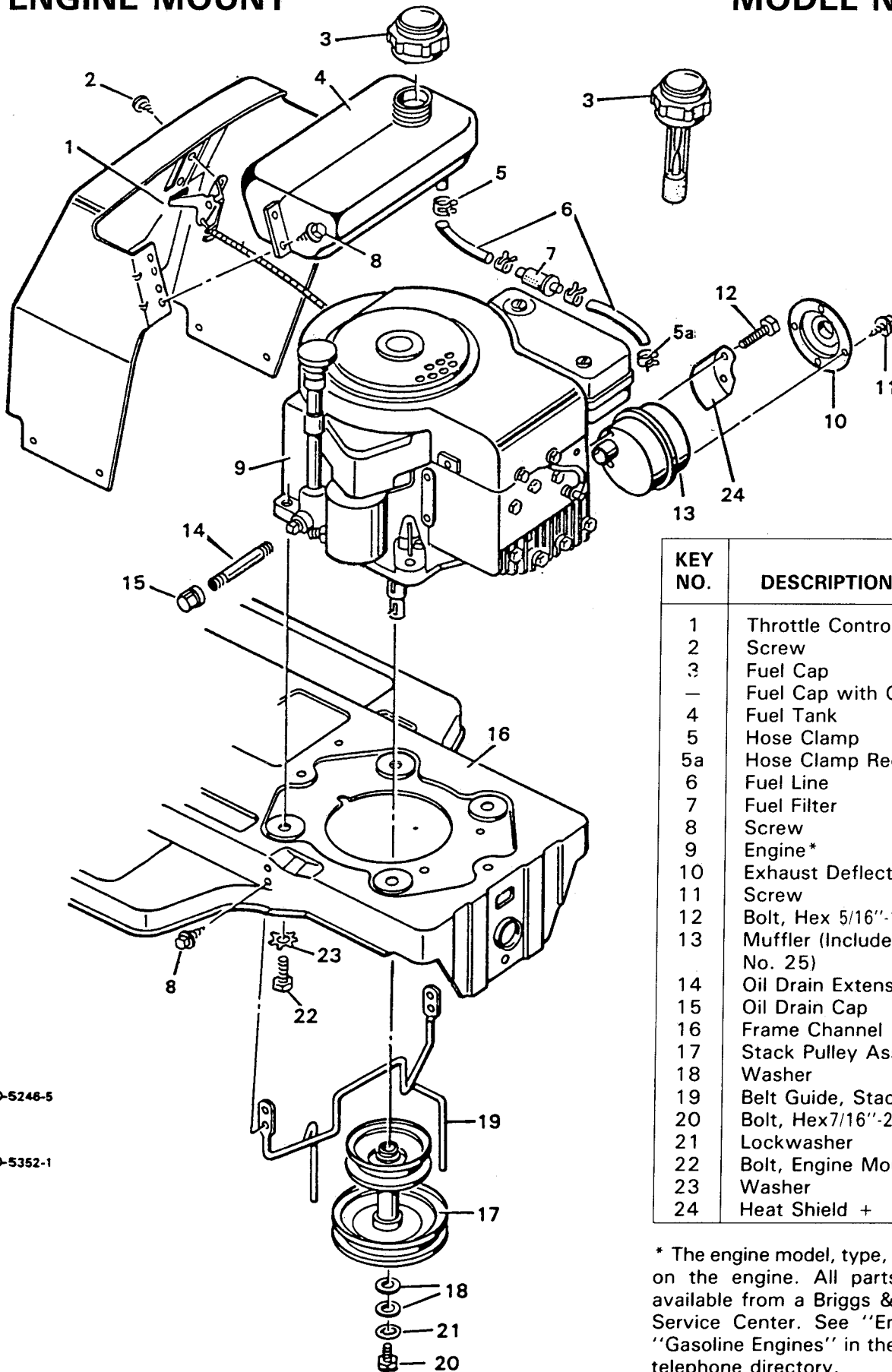
KEY NO.	DESCRIPTION	PART NO.
1	Steering Wheel	90576
3	Hex Bolt 5/16''-18X1 1/2''	1X102
4	Locknut	15X88
5	Steering Post	90130C
6	Washer	17X47Z
7	Bolt, Hex 5/16''-18X5/8''	1X45
8	Screw	26X49
9	Bolt, Hex 3/8''-24X3 1/4''	1X101
10	Bearing	90035
11	Pinion Gear & Shaft	90132
12	Sector Gear Assembly	90025
13	Locknut, Flange 3/8''-24	15X87
14	Support, Front Axle	90002
15	Cotter Pin	30X49
16	Bearing	90035
17	Axle Assembly	90034
18	Washer	17X113
19	Spindle, Left	90037
20	Ball Joint	21031
21	Washer	17X124
22	Tie Rod	21475
23	Drag Link Assembly	90041
24	Spindle, Right	90036
25	Bearing	55599
26	Tire Only **	24376
—	Inner Tube	407047
27	Wheel Only	24488E
28	Washer, Hub Caps Only	17X115Z
—	Washer, Without Hub Caps	17X83Z
29	Valve Stem & Cap	24373
30	Nut, Hex 3/8''-24	15X61
31	Hub Cap, Optional	21662



**When you order a tire, make sure to give the brand name of the tire so that the tread pattern on the tire will match.

ENGINE MOUNT

MODEL NO. 7-36508



KEY NO.	DESCRIPTION	PART NO.
1	Throttle Control	90728
2	Screw	26X159
3	Fuel Cap	23711
—	Fuel Cap with Gauge	24064
4	Fuel Tank	23300
5	Hose Clamp	91174
5a	Hose Clamp Red	23713
6	Fuel Line	90671
7	Fuel Filter	24159
8	Screw	26X214
9	Engine*	—
10	Exhaust Deflector	23740Z
11	Screw	26X203
12	Bolt, Hex 5/16"-18X3 3/8"	1X118
13	Muffler (Includes Key No. 25)	90330PA
14	Oil Drain Extension	24066
15	Oil Drain Cap	21651
16	Frame Channel	90001
17	Stack Pulley Assembly	91557Z
18	Washer	17X103
19	Belt Guide, Stack Pulley	90276Z
20	Bolt, Hex 7/16"-20X1"	1X80
21	Lockwasher	19X35
22	Bolt, Engine Mount	25X6
23	Washer	19X8
24	Heat Shield +	90332

* The engine model, type, and code numbers are on the engine. All parts to the engine are available from a Briggs & Stratton Authorized Service Center. See "Engines, Gasoline" or "Gasoline Engines" in the yellow pages of the telephone directory.

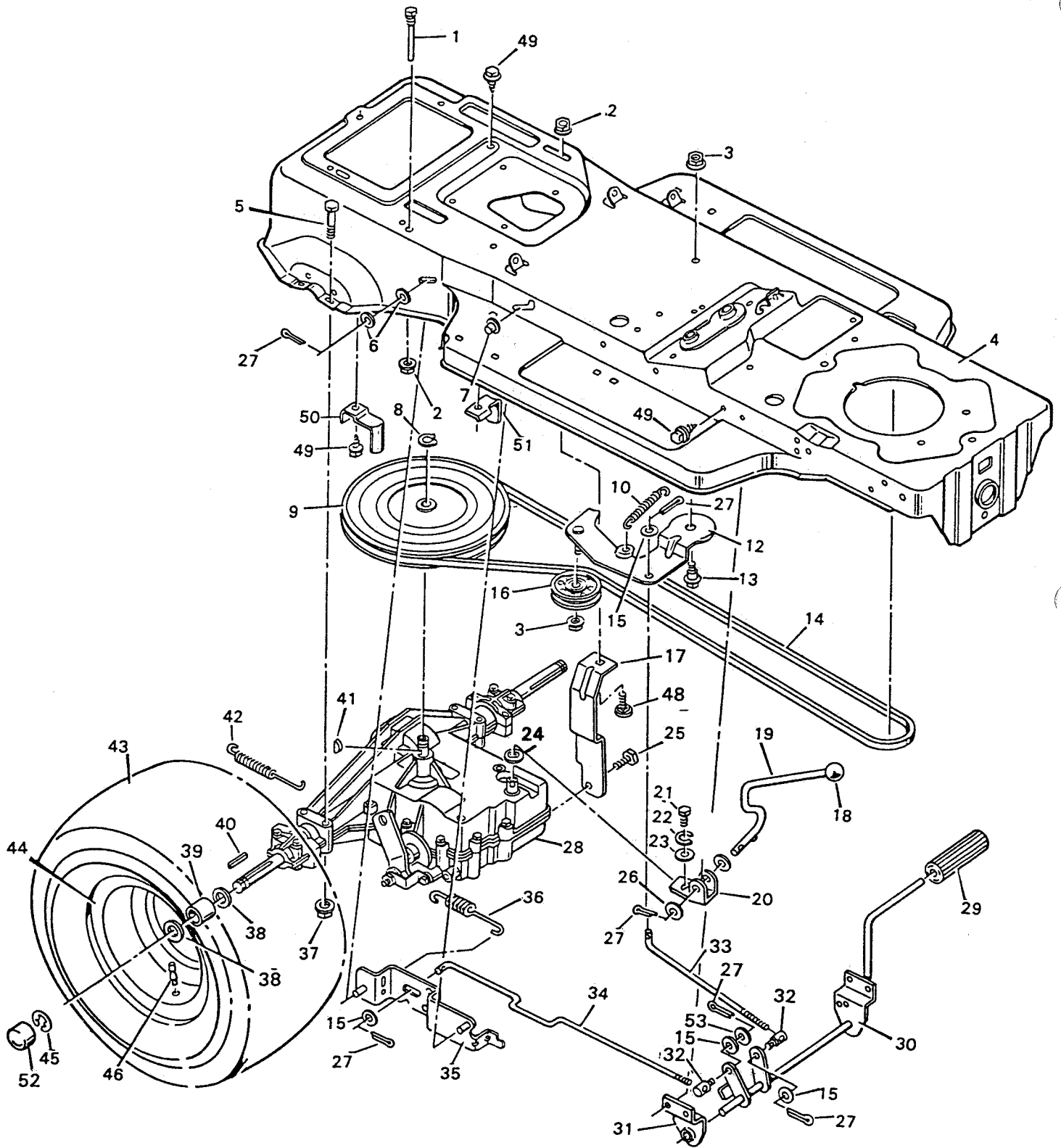
+ This part is included when ordering Key No. 13.

D-5246-5

D-5352-1

MODEL NO. 7-36508

MOTION DRIVE



D-5634-1

MOTION DRIVE**MODEL NO. 7-36508**

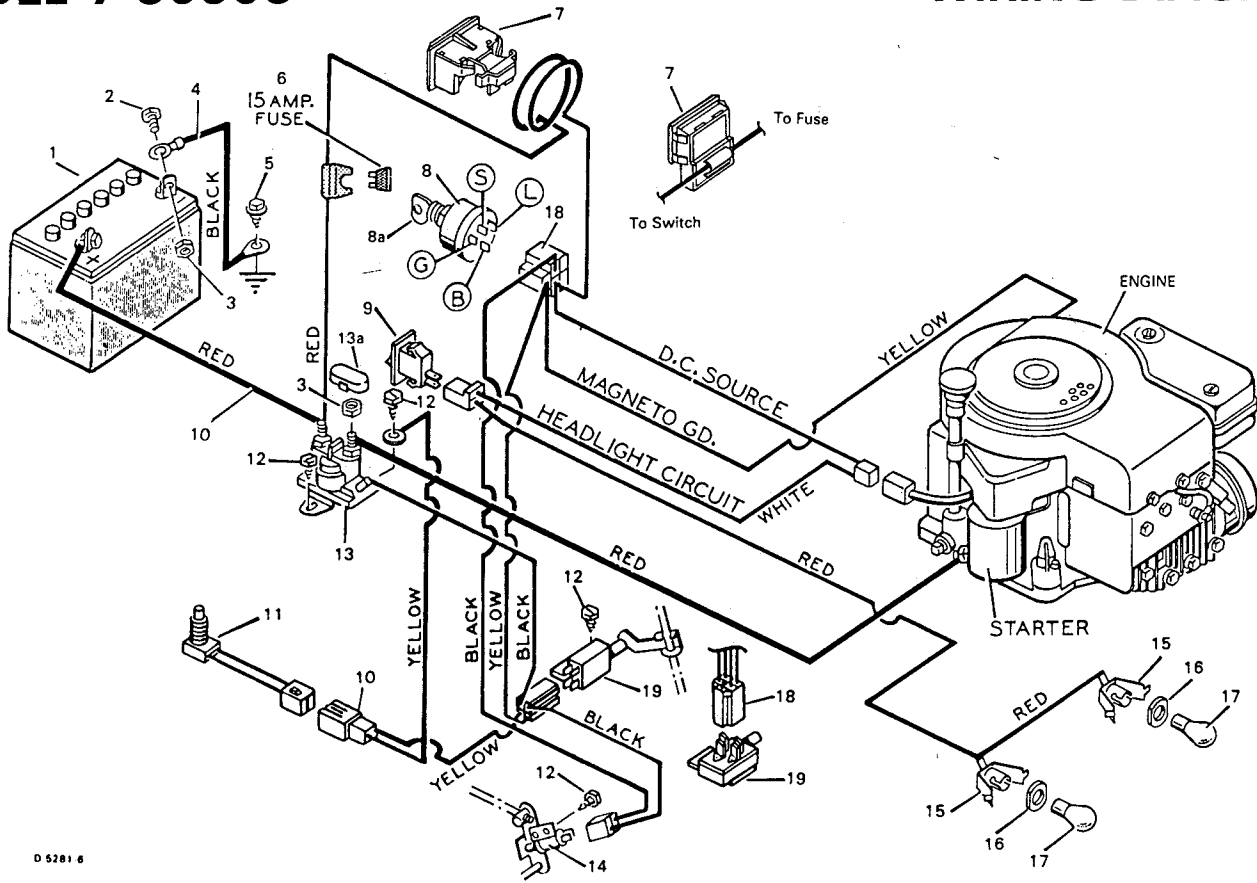
KEY NO.	DESCRIPTION	PART NO.
1	Bolt, Belt Guide	20619
2	Nut, Flange 5/16"-18	15X79Z
3	Locknut, Flange 3/8"-18	15X84
4	Frame Channel	90001
5	Bolt, Hex 5/16"-18X1 7/8"	1X98
6	Washer	17X116Z
7	Retainer, Parking Brake	28X48
8	Ring, Retainer	11X7
9	Pulley, Drive	91170
10	Spring Extension	165X39
12	Idler Bracket Assembly	90011Z
13	Bolt, Shoulder 3/8"-16X7/8"	9X12
14	Belt, Drive	37X45
15	Washer	17X53Z
16	Pulley, Idler	91179
17	Support, Transaxle	91388Z
18	Knob, Shift Lever	20739
19	Lever, Shift	91390Z
20	Yoke, Shifter	90812Z
21	Bolt, Hex 1/4"-28X5/8"	1X82
22	Lockwasher	18X32
23	Washer	17X37Z
24	Washer	17X134
25	Screw	26X207
26	Washer	17X102Z
27	Pin, Cotter	30X20
28	Transaxle, ** (Peerless Model No. 920-005)	—
29	Clutch and Brake Pedal	21544
30	Lever Assembly	90766
31	Bracket, Support	90013
32	Nut, Adjustable	21920
33	Rod, Clutch	90066Z
34	Rod, Brake	90067Z
35	Brake Link Assembly	90068Z
36	Spring, Brake	165X47
37	Locknut, Flange 5/16"-18	15X88
38	Washer, Transaxle	17X160
39	Spacer, Axle	91394
40	Key, Square 3/16"X2"	21553
41	Key, Woodruff #9	20697
42	Spring	165X34
43	Tire Only*	24375
—	Tube Only	407049
44	Wheel Only	24351E
45	E-Ring	11X3
46	Valve Stem and Cap	24373
48	Bolt, Carriage 5/16"-18X3/4"	2X53Z
49	Screw	26X49
50	Guide, Belt	90694
51	Guide, Belt	90691
52	Hub Cap	21662
53	Washer	17X125

* When you order a tire, make sure to give the brand name of the tire so that the tread pattern on the tire will match.

** Parts are available from a Tecumseh Authorized Service Center. See "Engines, Gasoline" or "Gasoline Engines" in the yellow pages of the telephone directory.

MODEL 7-36508

WIRING DIAGRAM



D 5281 6

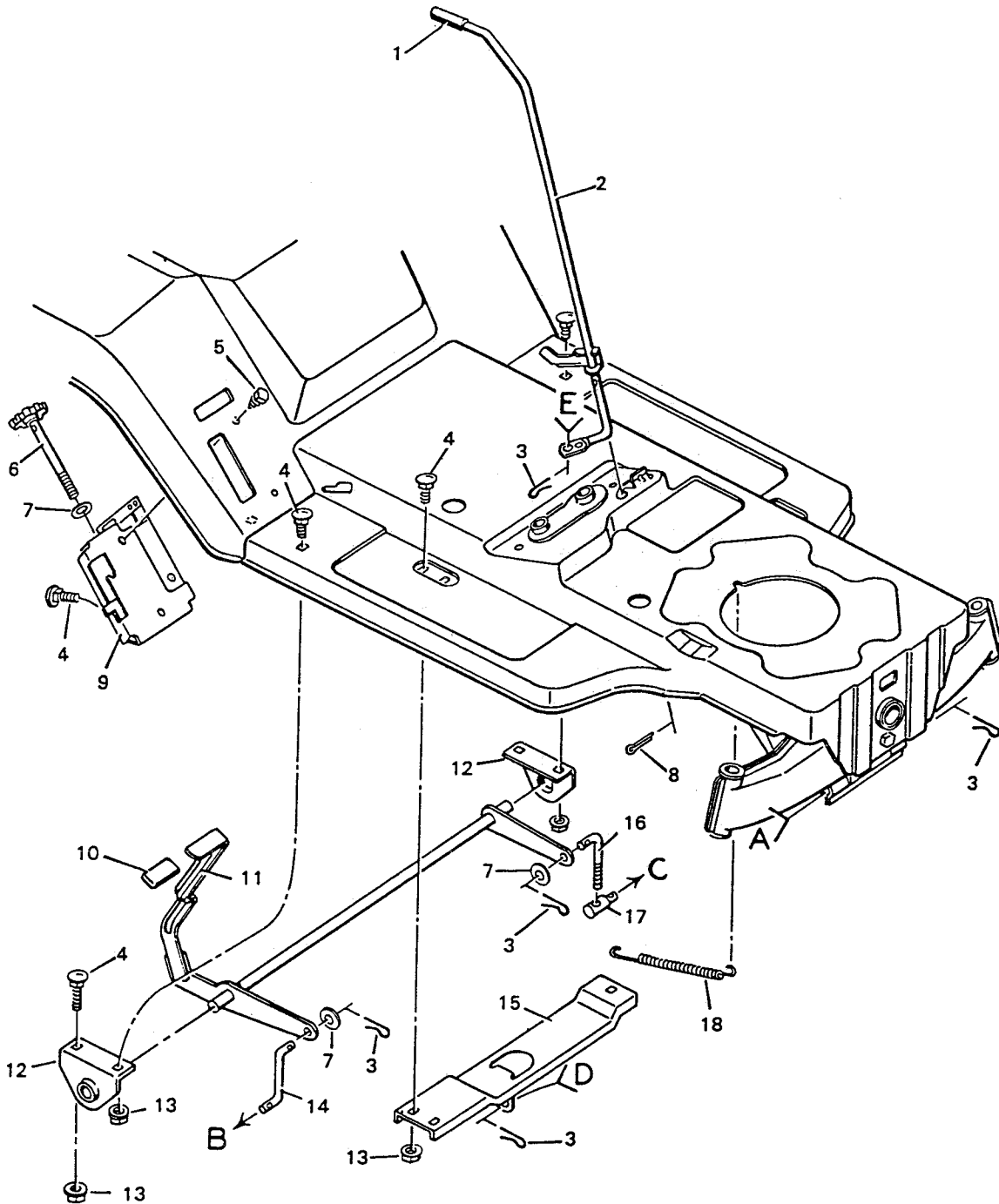
KEY NO.	DESCRIPTION	PART NO.
1	Battery, 25 AMP	21065
—	Electrolyte (Battery Acid)	90665
—	Battery Caps	400262
2	Bolt, Hex 1/4"-20X5/8"	1X38
3	Locknut 1/4"-20	15X66
4	Battery Cable, Black	24X9
5	Screw	26X49
6	Fuse	54212
7	Ammeter Assembly *	90829
8	Ignition Switch and Key	21064PA
8a	Key Only	20729
9	Light Switch	90647
10	Wire Harness	250X2
11	Switch, Seat	S91031
12	Screw	26X233
13	Solenoid	24285
13a	Cover, Solenoid	90565
14	Switch, Limit	24273
15	Light Socket Assembly	90155
16	Washer, Light Socket	90228
17	Headlight Bulb	90084
18	Wiring Harness	250X1
19	Switch, PTO**	91032
—	Tie Strap	32618

* NOTE: Two Ammeters (Key No. 7) are shown in the diagram. Your unit will only have one ammeter. Both ammeters are shown because of the difference in appearance and how they connect.

** NOTE: Two PTO Switches (Key No. 19) are shown in the diagram. Your unit will only have one switch. Both switches are shown because of the difference in appearance and how they connect.

BLADE HOUSING SUSPENSION

MODEL NO. 7-36508



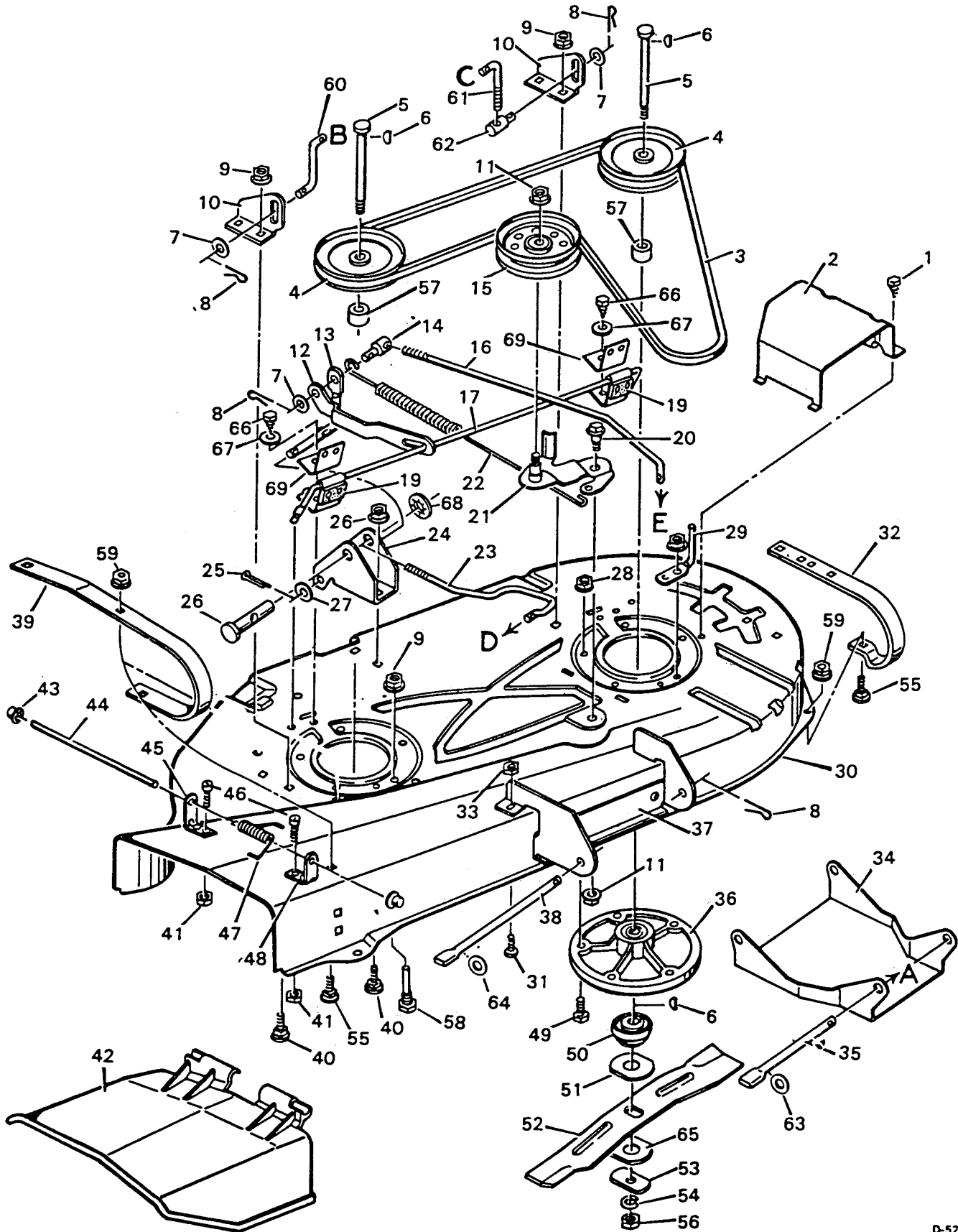
D-5251

KEY NO.	DESCRIPTION	PART NO.	KEY NO.	DESCRIPTION	PART NO.
1	Grip, Blade Engagement Control	20476	10	Grip, Lifter Handle	23340
2	Blade, Engagement Control	90030Z	11	Lifter Assembly	90043
3	Hair Pin*	31X4	12*	Bracket, Hanger	90042
4	Bolt, Carriage	2X64	13	Nut, Hex 5/16''-18	15X79Z
5	Screw	26X49	14	Rod, Lifter*	90099Z
6	Adjuster Screw Assembly	90078Z	15	Support, Channel	90028
7	Washer*	17X53Z	16	Rod, Adjuster*	90100Z
8	Cotter Pin	30X20	17	Nut, Adjustable*	21920
9	Bracket Assembly, Adjuster	404063	18	Spring	165X32

* Parts that have an asterisk * in the description are included with the complete blade housing. See the parts list for the blade housing.

MODEL NO. 7-36508

BLADE HOUSING



D-5252-9

BLADE HOUSING**MODEL NO. 7-36508**

KEY NO.	DESCRIPTION	PART NO.	KEY NO.	DESCRIPTION	PART NO.
1	Screw	26X214	35	Rod, Hanger	90133Z
2	Pulley Cover	90117	36	Jackshaft Housing Assembly	24384
3	Belt, Blade Drive	37X43	37	Bracket, Front Hanger*	90401
4	Pulley, Jackshaft	23739	38	Rod, Hanger	90107Z
5	Jackshaft	24578	39	Skid, Right*	90392
6	Key, Woodruff No. 6	20062	40	Bolt, Carriage 5/16''-18X5/8''	2X53
7	Washer	17X53Z	41	Hex Nut No. 10-24*	15X81
8	Hairpin	31X4	42	Deflector, Blade Housing	21154
9	Nut, Flange 5/16''-18*	15X79Z	43	Push On Cap	28X23
10	Lifter Bracket*	90103	44	Deflector Rod	21198Z
11	Locknut, Flange 3/8''-16	15X84	45	Bracket, Rear Deflector*	21187
12	Brake Bar	90121Z	46	Screw, Machine No. 10-24X5/8''*	4X21
13	Lever, Pivot	90113Z	47	Spring Torsional	166X4
14	Nut, Adjuster	90115	48	Bracket, Front Deflector*	21186
15	Pulley, Idler	90118	49	Bolt, Hex 5/16''-18X1''	1X84
16	Rod, Blade Control	90114Z	50	Adapter, Blade	54211
17	Rod, Blade Brake	90122Z	51	Washer, Blade	21673Z
19	Spring, Assembly-Blade Brake	90123	52	Blade (2 required)	20930HT
20	Bolt, Shoulder 3/8''-16X7/8''	9X12	53	Washer	20663Z
21	Bracket Assembly, Idler	90110Z	54	Lockwasher	18X27
22	Spring	165X33	55	Bolt, Carriage*	2X39
23	Rod, Link	90544Z	56	Nut, Blade Hex 1/2''-20	15X72
24	Bracket, Rear Hanger*	90104	57	Spacer, Jackshaft	24533Z
25	Pin, Cotter	30X20	58	Bolt, Belt Guide	20619
26	Adjuster Bar	90907	59	Nut, Hex*	15X82
27	Washer	17X102Z	60	Rod, Lifter	90099Z
28	Locknut, Flange 5/16''-18	15X88	61	Adjuster Rod	90100Z
29	Belt Guide	90120Z	62	Adjuster Nut	21920
30	Housing Blade	91089	63	Washer	17X122Z
	Complete Blade Housing Assy. +	407918	64	Washer	17X57Z
31	Screw, Machine 1/4''-20X1/2''*	4X24	65	Washer, Under Blade	24614Z
32	Skid, Left*	90353	66	Screw	26X195
33	Locknut 1/4''-20*	15X67	67	Washer	18X32
34	Hanger, Front	90106	68	Nut, Push	28X54
			69	Spring Helper	91206

* These parts are included with key no. 30.

+ This part number includes key numbers 1 to 69.