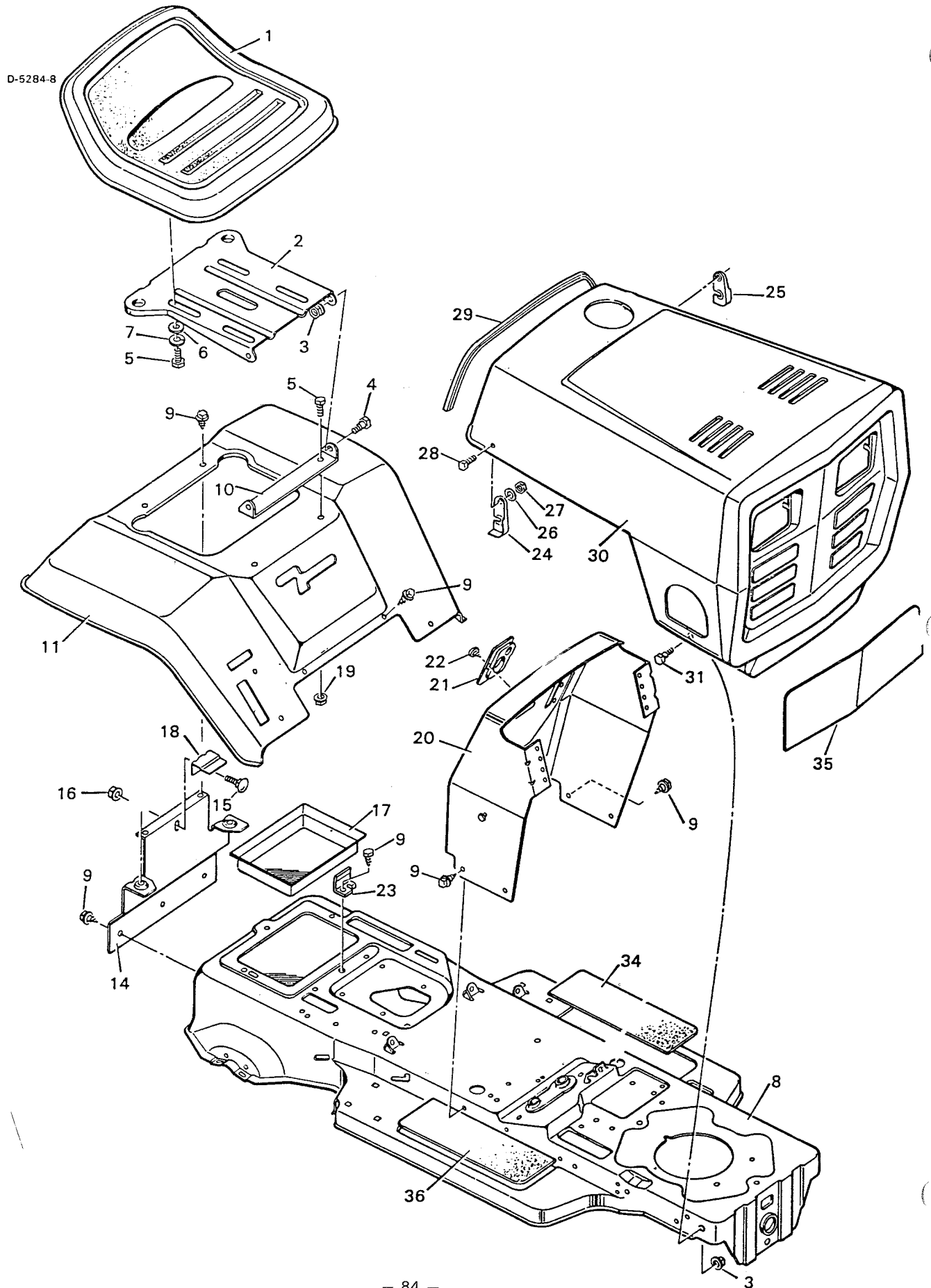


MODEL NO. 7-31515

CHASSIS & HOOD



SEAT & HOOD**MODEL NO. 7-31515**

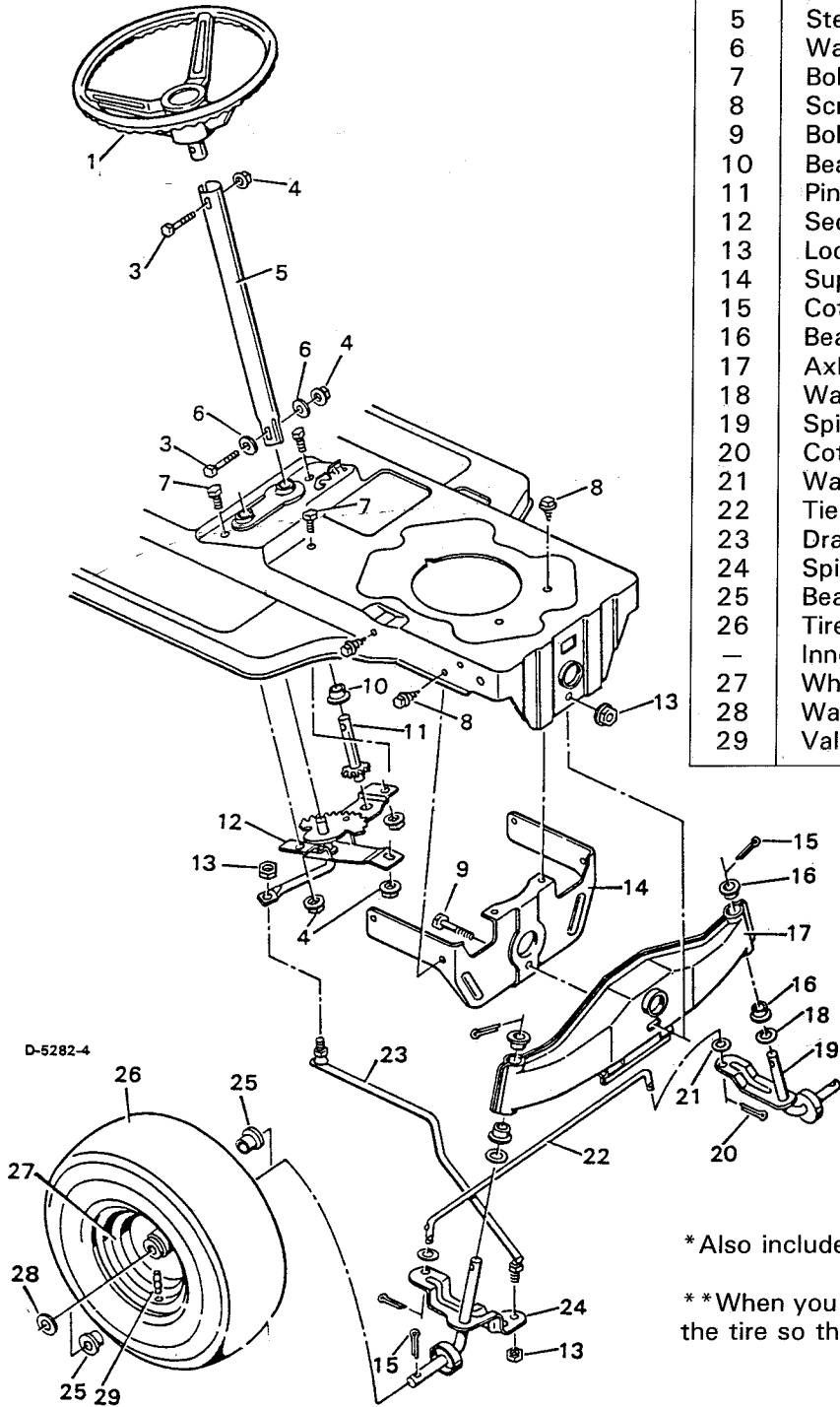
KEY NO.	DESCRIPTION	PART NO.
1	Seat	91039
2	Support, Seat	91045
3	Locknut, Flange 3/8''-16	15X84
4	Bolt, Shoulder 3/8''-16X5/8''	9X30
5	Bolt, Hex 5/16''-18X5/8''	1X45
6	Washer	17X47Z
7	Lock Washer	18X16
8	Frame Channel	90001
9	Screw	26X49
10	Bracket, Seat Pivot	90031
11	Seat Deck	90182
14	Support, Seat Deck	90633
15	Bolt, Carriage	2X53Z
16	Locknut 5/16''-18	15X76
17	Battery Tray	24157
18	Battery Clamp	90632Z
19	Locknut, Flange 5/16''-18	15X88
20	Dashboard Assembly	90739
21	Bearing, Steering Post	90081
22	Screw	26X186
23	Battery Clip	55149
24	Latch, Right Hood*	90464Z
25	Latch, Left Hood*	90465Z
26	Washer*	17X17Z
27	Hex Nut #10-24*	15X81
28	Machine Screw #10-24X 1/2''*	4X20Z
29	Edge Trim*	90240
30	Hood & Grille Assembly	90470
31	Bolt, Shoulder 3/8''-16X7/8''	9X14Z
34	Mat	90148
35	Plate, Grille	90463
	Parts Bag	91064
	Instruction Book	F-87706
	Parts List	F-87707
	Decal R.H. Hood	58X842
	Decal L.H. Hood	58X841
	Decal Murray	58X934
	Decal L.H. Seat Deck	58X851
	Decal R.H. Seat Deck	58X850

* Part Number included with key no. 30.

MODEL NO. 7-31515

STEERING

KEY NO.	DESCRIPTION	PART NO.
1	Steering Wheel	90576
3	Hex Bolt 5/16"-18X1 1/2"	1X102
4	Locknut	15X88
5	Steering Post	90130C
6	Washer	17X47Z
7	Bolt Hex 5/16"-18X5/8"	1X45
8	Screw	26X49
9	Bolt, Hex 3/8"-24X3 1/4"	1X101
10	Bearing	90035
11	Pinion Gear & Shaft	90132
12	Sector Gear Assembly	90025
13	Locknut, Flange 3/8"-24	15X87
14	Support, Front Axle	90002
15	Cotter Pin	30X49
16	Bearing	90035
17	Axle Assembly	90034
18	Washer	17X113
19	Spindle, Left	90139
20	Cotter Pin	30X20
21	Washer	17X57
22	Tie Rod	90038
23	Drag Link Assembly	91216
24	Spindle, Right	90138
25	Bearing*	55599
26	Tire Only**	24407
—	Inner Tube	407046
27	Wheel Only	90726E
28	Washer	17X83Z
29	Valve Stem & Cap	24373

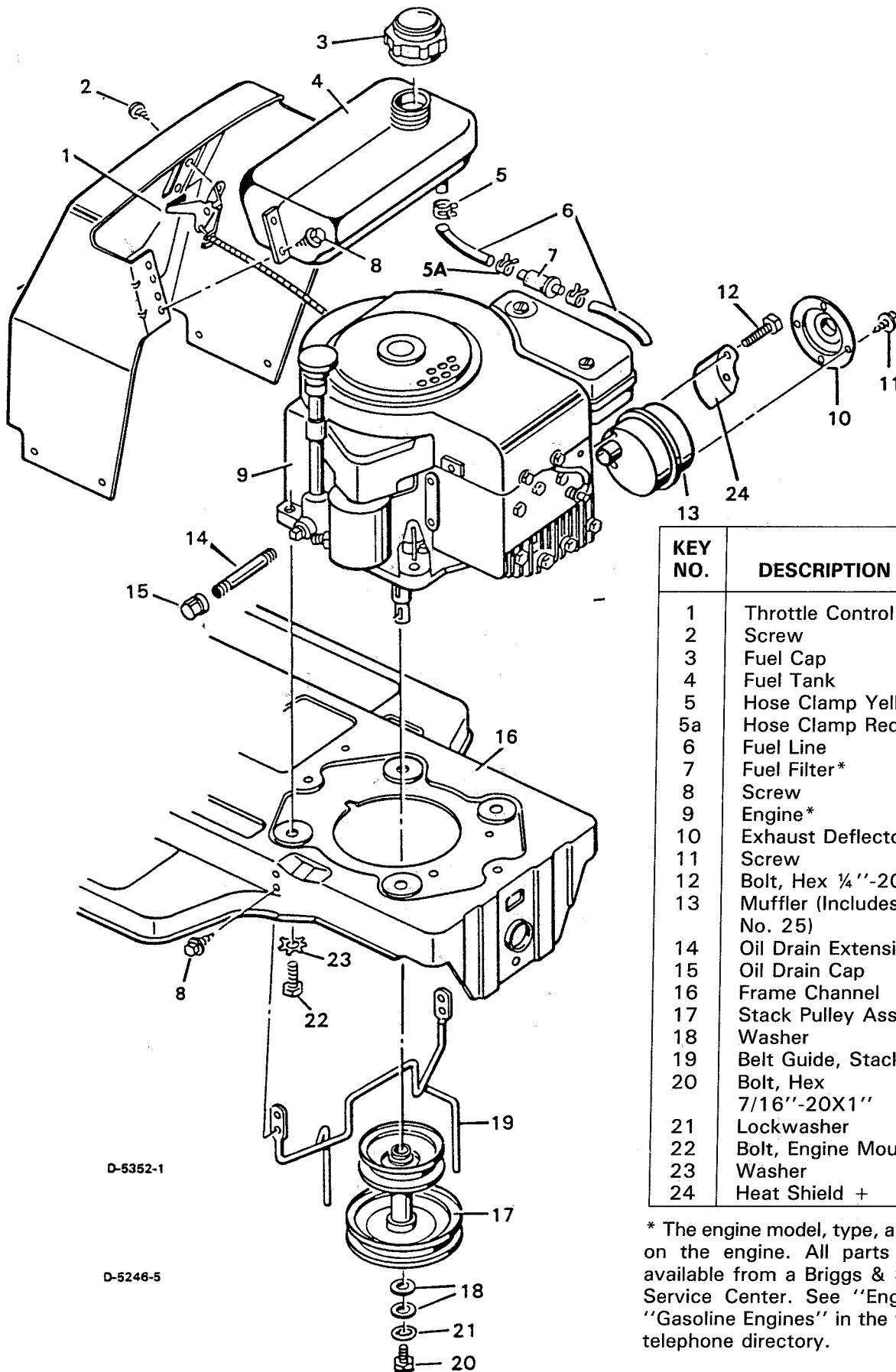


*Also included with key no. 27.

**When you order a tire, make sure to give the brand name of the tire so that the tread pattern on the tire will match.

ENGINE MOUNT

MODEL NO. 7-31515



KEY NO.	DESCRIPTION	PART NO.
1	Throttle Control	90728
2	Screw	26X159
3	Fuel Cap	23711
4	Fuel Tank	23300
5	Hose Clamp Yellow	91174
5a	Hose Clamp Red	23713
6	Fuel Line	90671
7	Fuel Filter*	
8	Screw	26X214
9	Engine*	—
10	Exhaust Deflector	23740Z
11	Screw	26X203
12	Bolt, Hex 1/4''-20X3 1/4''	1X117
13	Muffler (Includes Key No. 25)	90331PA
14	Oil Drain Extension	24066
15	Oil Drain Cap	21651
16	Frame Channel	90001
17	Stack Pulley Assembly	91557Z
18	Washer	17X103
19	Belt Guide, Stack Pulley	90276Z
20	Bolt, Hex 7/16''-20X1''	1X80
21	Lockwasher	19X35
22	Bolt, Engine Mount	25X6
23	Washer	19X8
24	Heat Shield +	90333

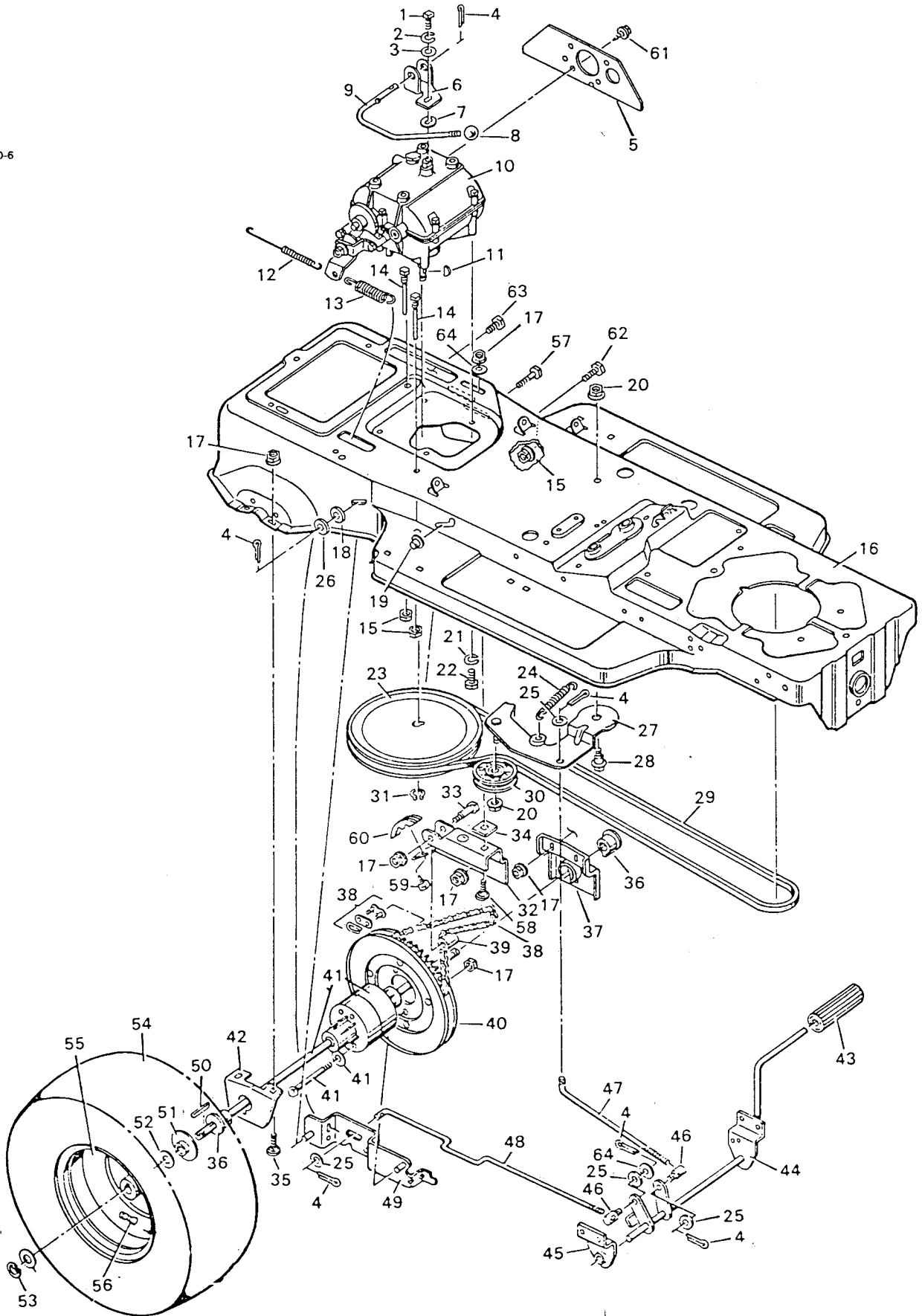
* The engine model, type, and code numbers are on the engine. All parts to the engine are available from a Briggs & Stratton Authorized Service Center. See "Engines, Gasoline" or "Gasoline Engines" in the yellow pages of the telephone directory.

+ This part is included when ordering Key No. 13.

MODEL NO. 7-31515

DRIVE SYSTEM

D-5290-6



DRIVE SYSTEM

MODEL NO. 7-31515

KEY NO.	DESCRIPTION	PART NO.	KEY NO.	DESCRIPTION	PART NO.
1	Bolt, Hex ¼''-28X½''	1X82	35	Bolt, Carriage 5/16''-18X5/8''**	2X53
2	Lockwasher	18X32	36	Bearing, Axle	55597
3	Washer	17X37Z	37	Plate, Left Bearing	90678Z
4	Pin, Cotter	30X20	38	Chain and Link	90348
5	Chain Guide	90681	39	Roller***	90176
6	Shifter Yoke	90183Z	40	Sprocket, 50 Tooth	55621
7	Washer	17X134	41	Differential, Peerless Model 100-011	—
8	Knob, Shift Lever	20739	42	Plate, Right Bearing	90346Z
9	Lever, Shift	90192Z	43	Pedal, Clutch/Brake	21544
10	Transmission, Peerless Model 754-B*	—	44	Lever Assembly	90766
11	Woodruff Key #9	20697	45	Bracket, Support	90013
12	Spring	165X34	46	Nut, Adjustable	21920
13	Spring	165X7	47	Rod, Clutch	90066Z
14	Bolt, Belt Guide	20619	48	Rod, Brake	90067Z
15	Locknut, Flange 5/16''-18''	15X79	49	Brake Link Assembly	90068Z
16	Frame Channel	90001	50	Key, Square 3/16''	21553
17	Locknut, Flange 5/16''-18***	15X88	51	Washer, Extruded	23041Z
18	Washer	17X47Z	52	Washer	17X113
19	Retainer, Cap	28X48	53	E-Ring	11X3
20	Nut, Flange 3/8''-16	15X84	54	Tire Only**	24393
21	Lockwasher	18X15		Tube, Tire	407048
22	Bolt, Hex 5/16''-18X¾''	1X91	55	Wheel Only	24391E
23	Pulley, Drive	91170	56	Valve Stem and Cap	24373
24	Spring, Extension	165X39	57	Bolt, Shoulder	9X32
25	Washer	17X53Z	58	Bolt, Carriage 5/16''-18X¾''	2X72
26	Washer	17X116Z	59	Screw***	26X214
27	Bracket Assembly, Idler	90011Z	60	Guide Block***	23403
28	Bolt, Shoulder 3/8''-16X7/8''	9X12	61	Screw	25X4
29	Belt, Drive	37X27	62	Bolt, Hex 5/16''-18X1''	1X84
30	Pulley, Idler	91179	63	Bolt, Hex 5/16''-18X5/8''	1X45
31	Ring, Retainer	11X7	64	Washer	17X125
32	Bracket, Chain Idler	90480	66	Washer	17X113
33	Bolt, Shoulder***	9X22			
34	Spacer	90177Z			

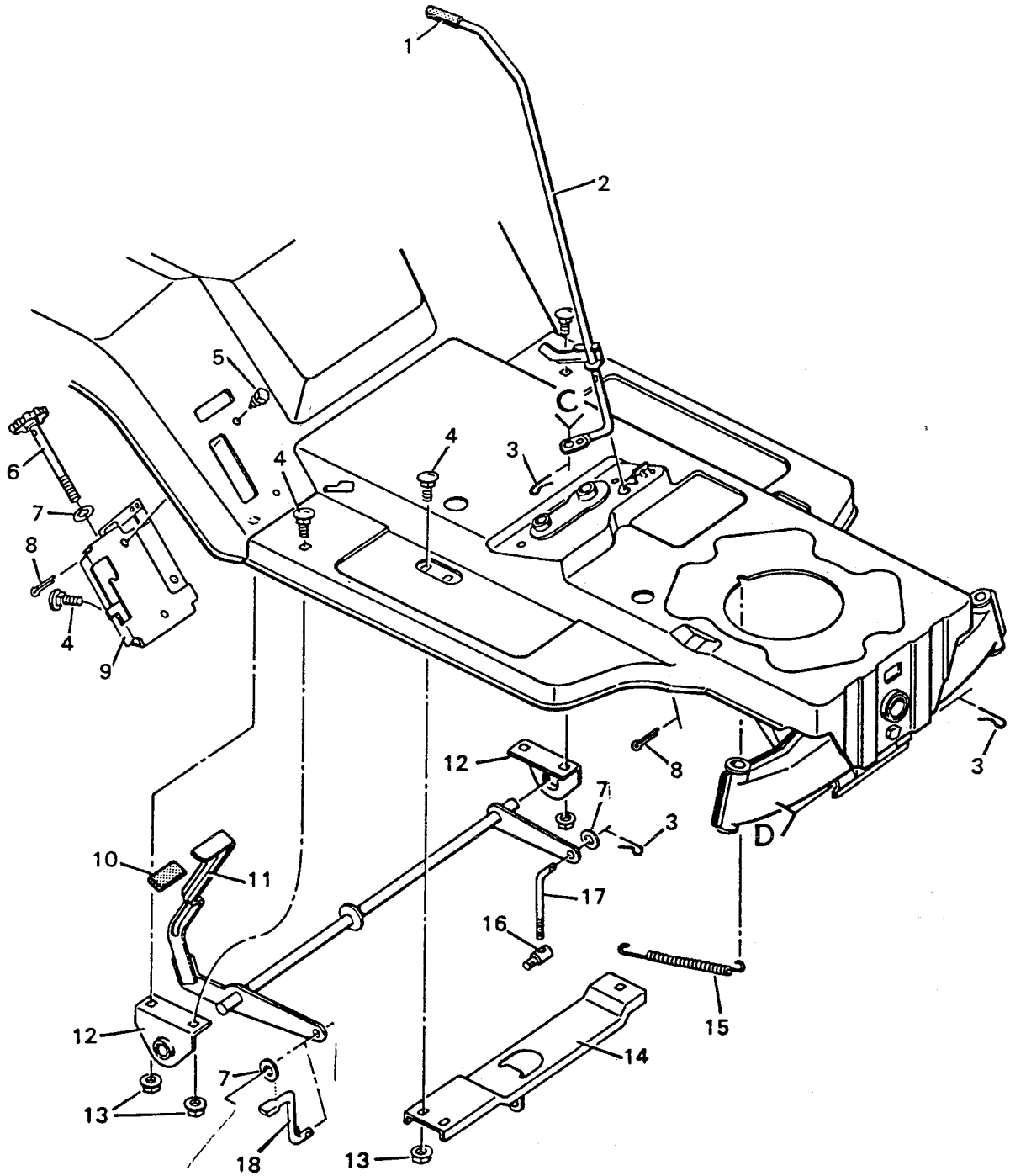
+ Parts are available from a Tecumseh Authorized Service Center. See "Engines, Gasoline" or "Gasoline Engines" in the yellow pages of the telephone directory.

** When you order a tire, make sure to give the brand name of the tire so that the tread pattern on the tire will match.

*** Part is also included with key no. 32.

MODEL NO. 7-31515

BLADE HOUSING SUSPENSION



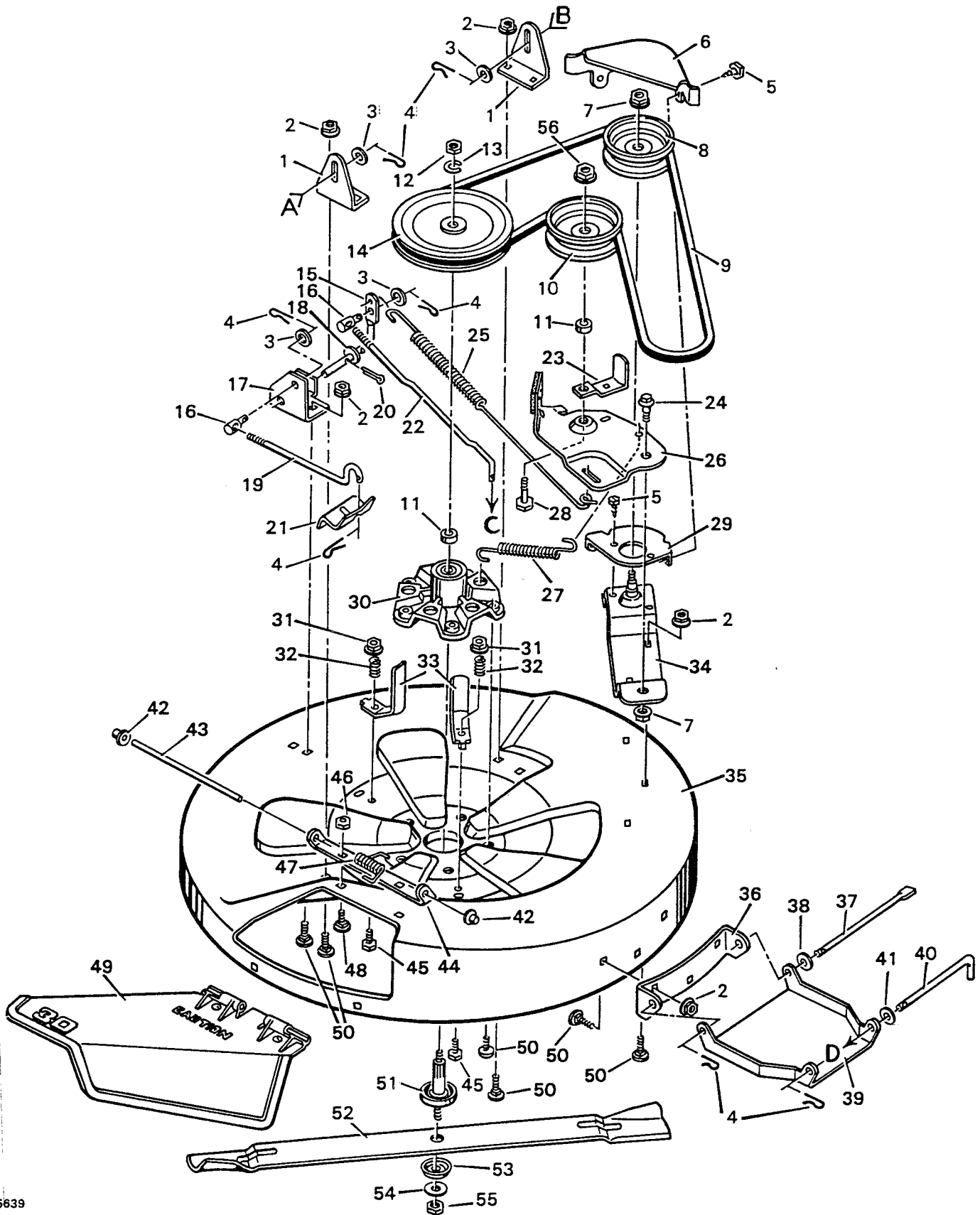
D-5301-1

KEY NO.	DESCRIPTION	PART NO.	KEY NO.	DESCRIPTION	PART NO.
1	Grip, Blade Control Lever	20476	10	Grip, Left Lever Assembly	23340
2	Blade, Engagement Control	90030Z	11	Lift Lever Assembly	91196
3	Pin, Hair*	31X4	12	Bracket, Hanger	90042
4	Bolt, Carriage	2X64	13	Locknut, Flange 5/16''-18	15X79
5	Screw	26X49	14	Support Channel	90028
6	Adjuster Screw Assembly	90078Z	15	Spring	165X32
7	Washer*	17X53Z	16	Nut, Adjustable*	21920
8	Pin, Cotter	30X20	17	Rod, Left Hanger*	23704Z
9	Bracket Assembly, Adjuster	404063	18	Rod, Right Hanger*	90293Z

* Parts that have an asterisk * in the description are included with the complete blade housing. See the parts list for the blade housing.

MODEL NO. 7-31515

REPLACEMENT PARTS BLADE HOUSING



D-5639

REPLACEMENT PARTS BLADE HOUSING

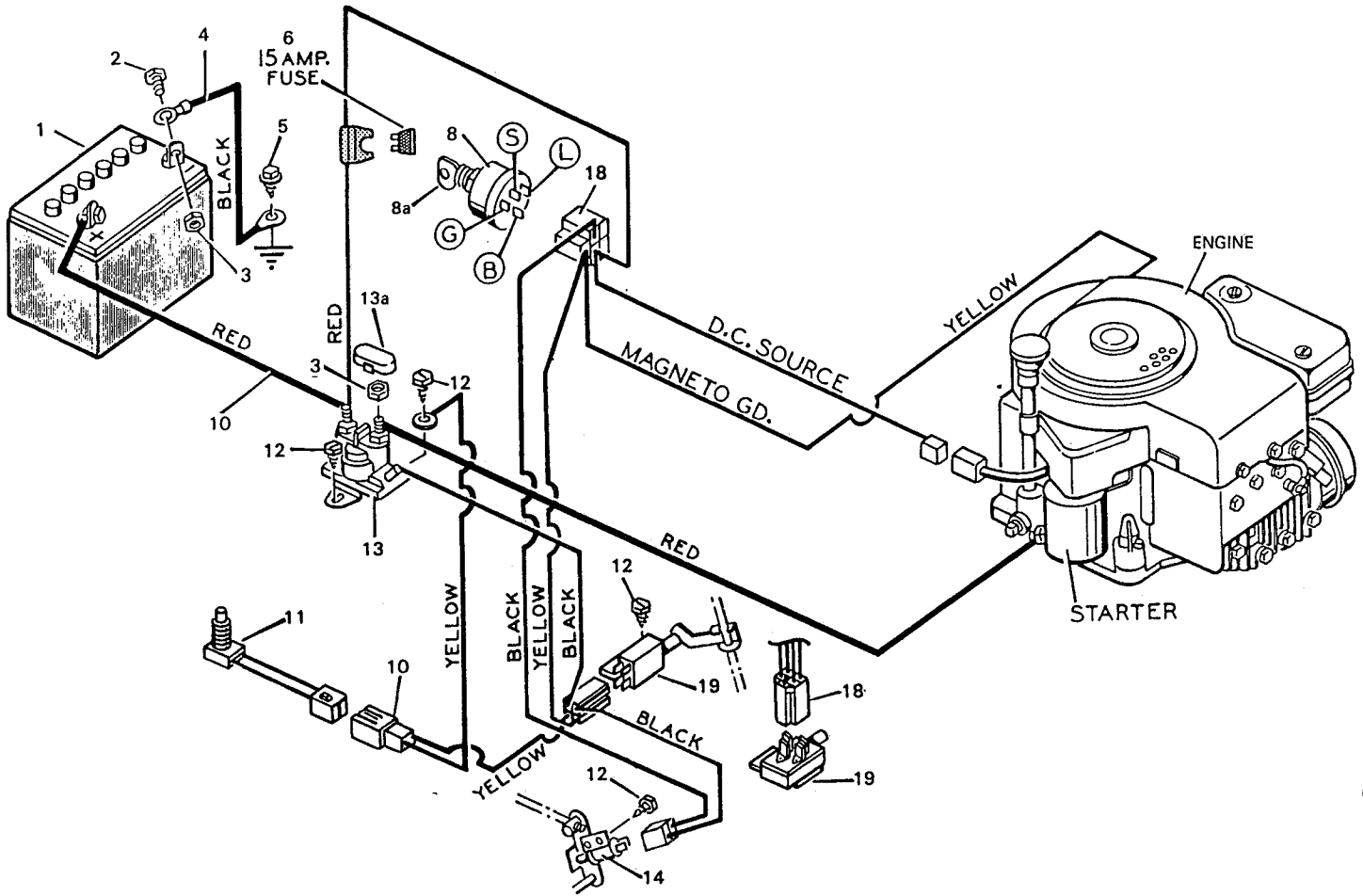
MODEL NO. 7-31515

KEY NO.	DESCRIPTION	PART NO.	KEY NO.	DESCRIPTION	PART NO.
1	Bracket, Lifter*	91180	31	Nut, Locknut 5/16''-18	15X88
2	Nut, Hex 5/16''-18*	15X79	32	Spring, Compression	164X1
3	Washer	17X53Z	33	Belt Guide	91189Z
4	Pin, Hair	31X4	34	Idler Mount Assembly	91187
5	Screw	26X214	35	Housing, Blade*	91192
6	Cover, Pulley	91188	36	Bracket, Front Hanger*	91183
7	Locknut 3/8''-16	15X84	37	Rod, Hanger	90107Z
8	Pulley, Idler	90315	38	Washer	17X57Z
9	Belt, Blade Drive	37X59	39	Hanger, Front	90232
10	Pulley, Idler	90118	40	Pin, Pull	90827Z
11	Spacer, Bearing	55273Z	41	Washer	17X122Z
12	Locknut 9/16''-18	15X101	42	Cap, Push On	28X23
13	Lockwasher	18X33	43	Rod, Deflector	21197Z
14	Pulley, Splined	55452	44	Bracket, Deflector	55963
15	Lever, Pivot	91182Z	45	Bolt, Hex 5/16''-18X1 3/4''	1X75
16	Nut, Adjustable	21920	46	Nut, Locknut 5/16''-18	15X43
17	Bracket, Rear Support*	91184	47	Spring, Torsional	166X4
18	Washer	17X102Z	48	Bolt, Carriage	2X58
19	Link, Deck	90261Z	49	Deflector, Chute	55971
20	Pin, Cotter	30X20	50	Bolt, Carriage*	2X53
21	Retainer, Link	90262Z	51	Mandrel, Splined	55445
22	Rod, Blade Control	91186Z	52	Blade, 30''	55969HT
23	Guide, Belt	91195Z	53	Washer, Belleville	17X155
24	Bolt, Shoulder	9X12	54	Washer, Hardened	17X154
25	Spring, Extension	165X69	55	Nut, Hex 9/16''-18	15X100
26	Idler Assembly	91193	56	Nut, Hex 1/2''-13	15X41
27	Spring Extension	165X70	—	Mower Housing, Complete	403216
28	Bolt, Hex	1X127			
29	Plate, Shield Mounting	91187			
30	Housing, Mandrel	55962			

* The part is also included with key no. 35.

MODEL 7-31515

WIRING DIAGRAM



KEY NO.	DESCRIPTION	PART NO.
1	Battery, 25 AMP	21065
—	Electrolyte (Battery Acid)	90665
—	Battery Caps	400262
2	Bolt, Hex ¼" 120X5/8"	1X38
3	Locknut ¼"-20	15X66
4	Battery Cable, Black	24X9
5	Screw	26X49
6	Fuse	54212
8	Ignition Switch and Key	21064PA
8a	Key Only	20729
10	Wire Harness	250X2
11	Switch, Seat	S91031
12	Screw	26X233
13	Solenoid	24285
13a	Cover, Solenoid	90565
14	Switch, Limit	24273
18	Wiring Harness	250X1
19	Switch, PTO**	91032
—	Tie Strap	32618

** NOTE: Two PTO Switches (Key No. 19) are shown in the diagram. Your unit will only have one switch. Both switches are shown because of the difference in appearance and how they connect.