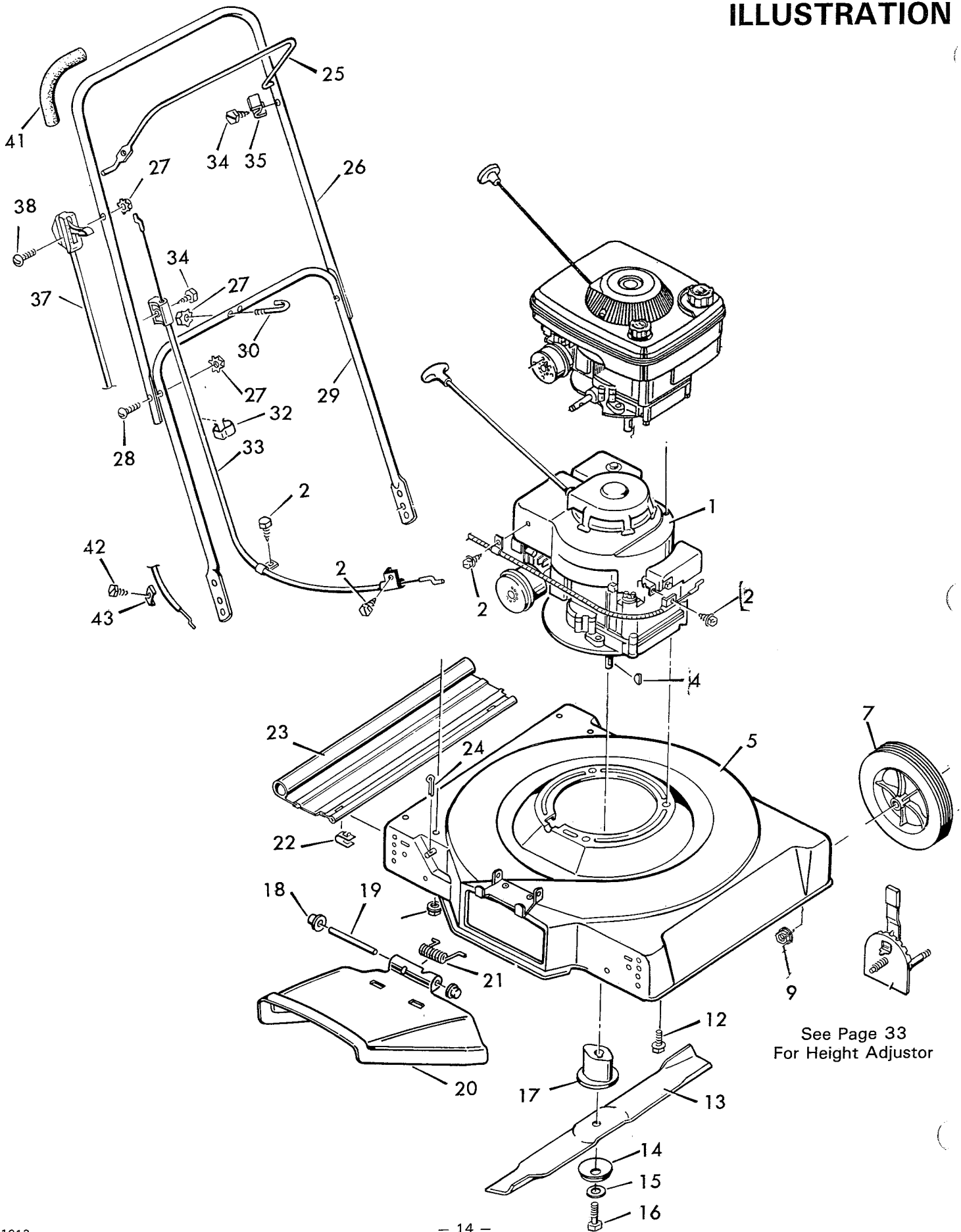


7-22261 WITH HEIGHT ADJUSTORS

MOWER HOUSING ILLUSTRATION



See Page 33
For Height Adjustor

**7-22261
WITH HEIGHT ADJUSTORS**

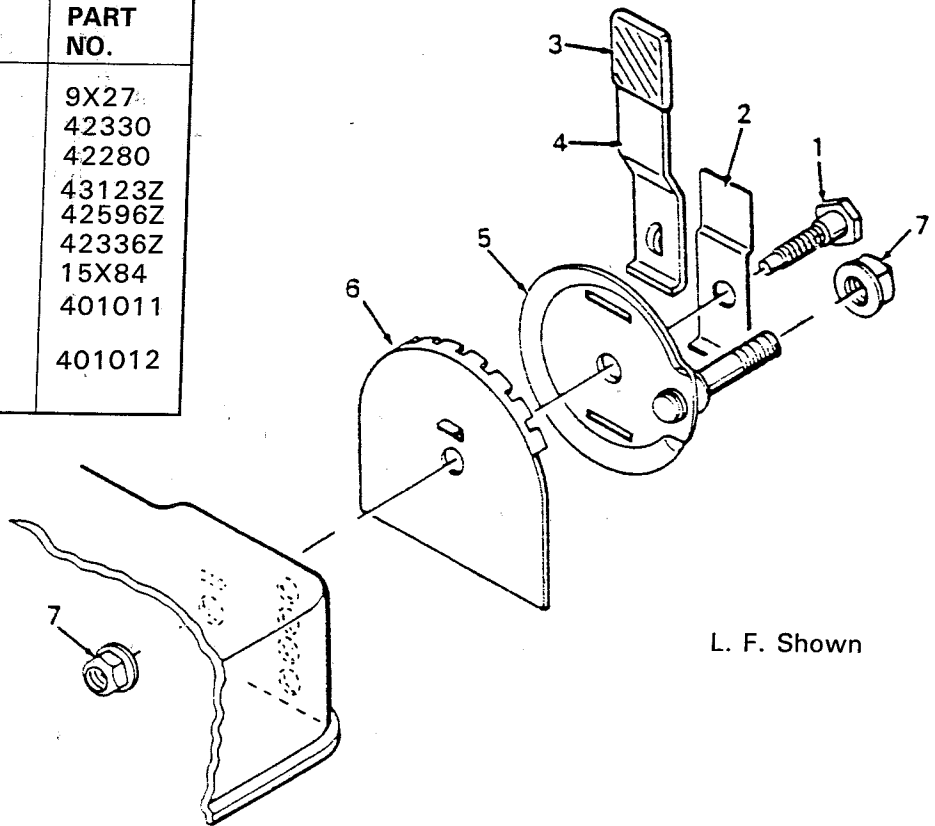
Same AS

7-22261X91

KEY NO.	DESCRIPTION	22"
1	Engine†	—
2	Screw	26X234
4	Woodruff Key	20062
5	Housing	70081
7	Wheel	42173
9	Hex Nut	15X84
12	Engine Bolt	25X6
13	Blade	20046
14	Blade Washer	17X137
15	Washer	17X124
16	Hex Bolt	1X68
17	Blade Adapter	42734
18	Push-On Cap	28X42
19	Pivot Pin	215X11
20	Chute Deflector	42919
21	Torsional Spring	166X5
22	Retainer	42743
23	Rear Guard	42747
24	Cotter Pin	30X35
25	Engine Stop Lever	42764C
26	Handle, Upper	42939C
27	Nut	15X66
28	Bolt	3X136Z
29	Handle, Lower	42891C
30	U-Bolt	42896Z
32	Cable Retainer	42950
33	Engine Stop Cable	42569
34	Screw	26X220
35	Handle Stop	42765Z
37	Throttle Control	42876
38	Bolt	3X105
41	Grip	42062
42	Screw	26X237
43	Clamp	42294
	Instruction Book	F-87402
	Parts Bag Assy.	42924
	Grass Catcher Ass'y (Not Shown)	7-24065

Wheel Adjuster Assembly For 7-22251, 7-22211, 7-22261, 7-22651 & Specials of These Murray Models

KEY NO.	DESCRIPTION	PART NO.
1	Shoulder Bolt	9X27
2	Spring	42330
3	Grip	42280
4	Adjuster Lever	43123Z
5	Wheel Adjuster Bracket	42596Z
6	Index Plate	42336Z
7	Flange Nut	15X84
1-7	Wheel Adjuster Assembly Right Front or Left Rear	401011
1-7	Wheel Adjuster Assembly Left Front or Right Rear	401012



Wheel Adjuster Assembly For 7-21951, & Specials of This Model

KEY NO.	DESCRIPTION	PART NO.
1	Adjuster Lever, Rear Bagger	42757
2	Shoulder Bolt	9X26
3	Hex Nut	15X84
4	Washer	17X102Z
5	Grip	20065
6	Hex Bolt	1X85
7	Index Plate-LF,RR	42753Z
	Index Plate-RF,LR	42754Z
8	Hex Nut	15X97
9	Flange Nut	15X68Z
1-9	Height Adj. Ass'y, Rear Bagger (For right front or left rear)	400275
	Height Adj. Ass'y, Rear Bagger (For left front or right rear)	400276

