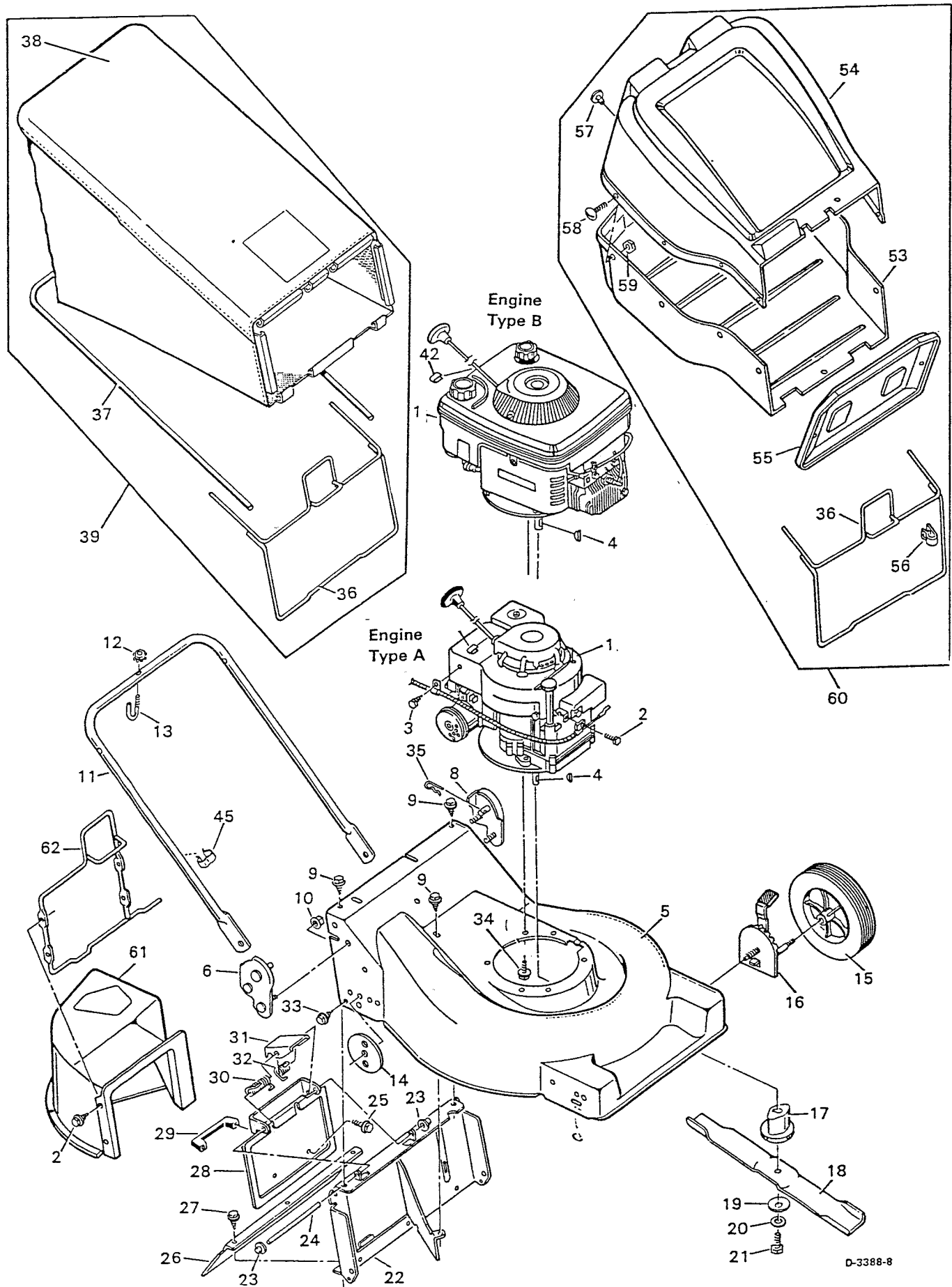


7-21851 & 7-21861

REAR BAGGER



REAR BAGGER PARTS LIST

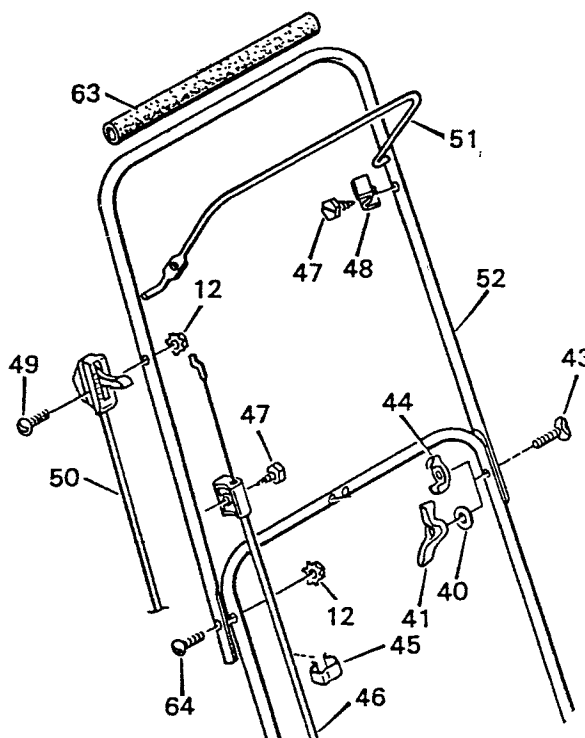
KEY NO.	DESCRIPTION	MODEL 21851	MODEL 21861	KEY NO.	DESCRIPTION	MODEL 21851	MODEL 21861
1	Engine	—	—	35	Hair Pin	31X5	31X5
2	Screw	26X234	26X234	36	Frame Assembly, Bag	43264	43299
3	Screw	26X234	26X234	37	Tube, Upper Support	42432	—
4	Key, Woodruff	20062	20062	38	Bag, Black	43267	—
5	Housing	70094	70094	39	Bag and Frame	407085	407085
6	Bracket, Right Handle	43192	43192	40	Washer	—	17X47Z
8	Bracket, Left Handl	43193	43193	41	Knob, Plastic	—	42027
9	Screw, Tapping	26X214	26X214	42	Stop, Rope	—	42189
10	Nut, Flange	15X68Z	15X68Z	43	Bolt, Contour Head	—	6X73Z
11	Handle, Lower	43189C	43189C	44	Wing Nut	—	14X83Z
12	Locknut	15X66	15X66	45	Retainer, Cable	42950	42950
13	U-Bolt	42896Z	42896Z	46	Engine Stop Cable	42945	42945
14	Spacer	43198	43198	47	Screw	26X220	26X220
15	Wheel and Tire**	—	—	48	Stop, Lever	42765Z	42765Z
16	Height Adjuster Assembly***	—	—	49	Screw	3X105	3X105
17	Blade Adapter	42735	42735	50	Throttle Control	42878	42878
18	Blade	22860HT	22860HT	51	Engine Stop Lever	42763C	42763C
19	Washer, Blade	17X137	17X137	52	Handle, Upper	42938C	42938C
20	Washer	17X124	17X124	53	Grass Catcher, Top Half	—	43266
21	Bolt, Hex	1X69	1X69	54	Grass Catcher, Bottom Half	—	43265
22	Plate, Rear	43258	43258	55	Baffle	—	42935
23	Push On Cap	28X42	28X42	56	Clip	—	192X1
24	Pin, Pivot	215X13Z	215X13Z	57	Fastener, Panel	—	193X1
25	Screw	26X244	26X244	58	Screw	—	4X21Z
26	Deflector, Rear	43263	43263	59	Nut, Hex	—	15X102
27	Screw	26X245	26X245	60	Grass Catcher, Complete	—	407086
28	Door, Rear	43261	43261	61	Side Chute +	43019	43019
29	Handle, Door	43256	43256	62	Frame Assembly +	43262	43262
30	Spring, Torsion	166X31	166X31	63	Grip	42062	42062
31	Latch	42004Z	42004Z	64	Bolt, Hex	1X94	—
32	Spring, Torsion	166X30	166X30		Parts Bag	43214	43215
33	Screw	26X213	26X213		Inst. Book	F-87405	F-87405
34	Bolt, Engine Mounting	25X6	25X6		Parts Bag (Hard Bag)	—	42952

*NOTE: The engine model, type, and code numbers are on the engine. All parts to the engine are available from a Briggs & Stratton Authorized Service Center. See "Engines, Gasoline" or "Gasoline Engines" in the yellow pages of the telephone directory.

**NOTE: See the "Wheel and Tire Parts List" page.

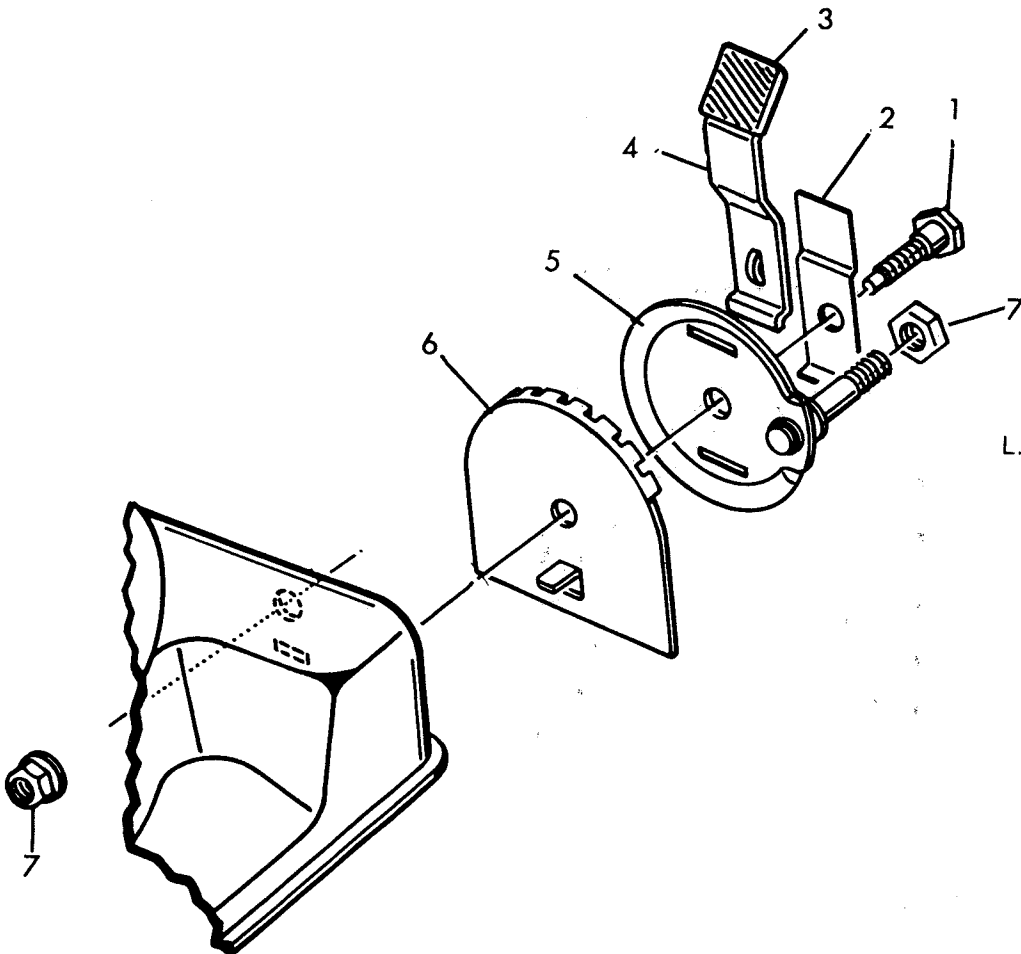
***NOTE: See the "Height Adjuster Parts List" page.

+NOTE: Model 7-24071 Side chute conversion kit. This optional accessory gives you the option of discharging the grass to the side.



Wheel Adjuster Assembly For 7-21851, 7-21861 & 7-Specials of These Murray Models

KEY NO.	DESCRIPTION	PART NO.
1	Shoulder Bolt	9X27
2	Spring	42330
3	Grip	42280
4	Adjuster Lever	43194Z
5	Wheel & Axle Bracket	42596Z
6	Index Plate	43195Z
7	Flange Nut	15X84
1-7	Wheel Adjuster Assembly Right Front or Left Rear	401009
1-7	Wheel Adjuster Assembly Left Front or Right Rear	401010



L. F. Shown