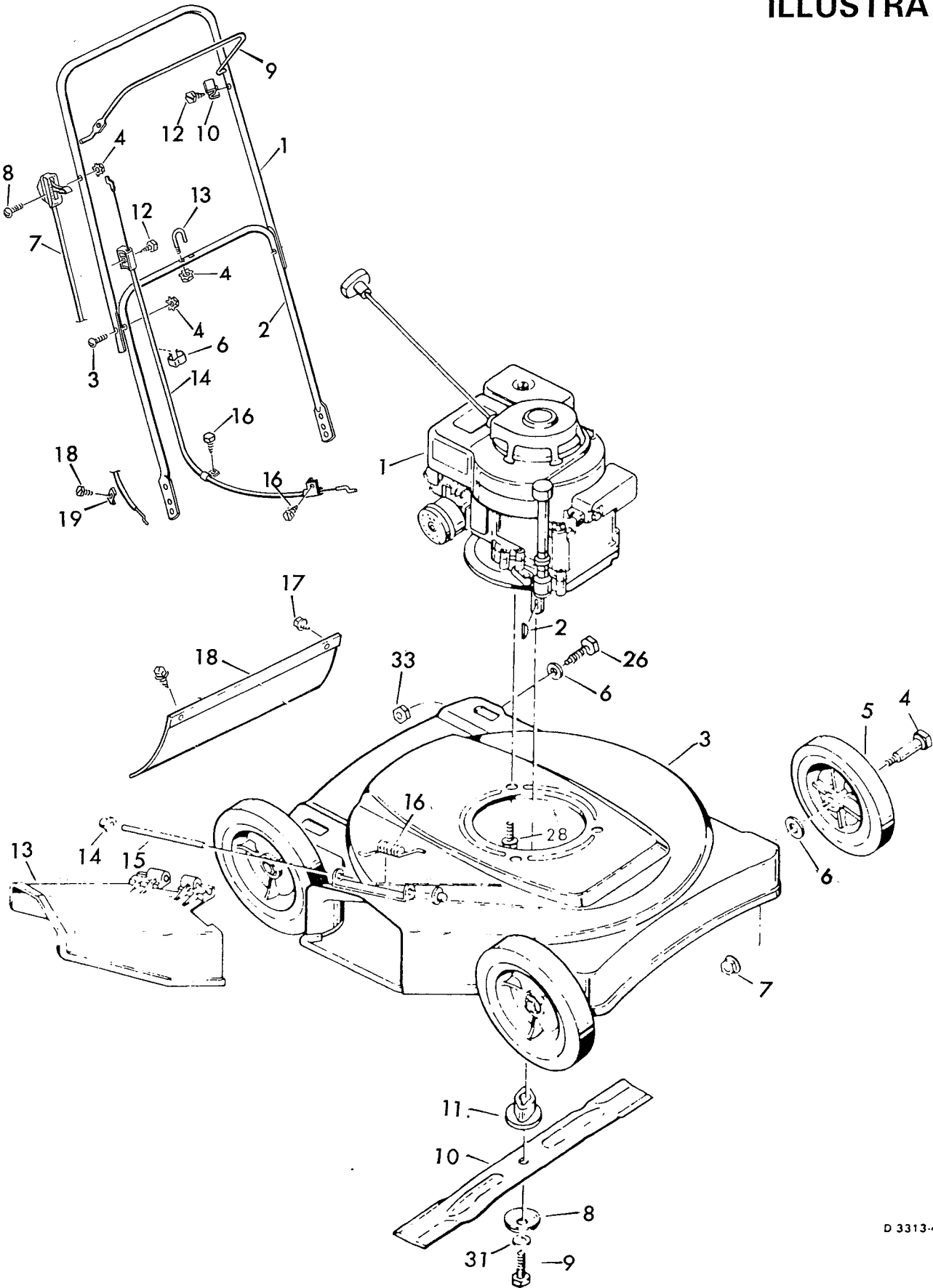


# MODEL 7-18011 18" TRIM

# MOWER HOUSING ILLUSTRATION



D 3313-4

## MODEL 7-18011 18" TRIM

### HANDLE PARTS LIST

KEY NO.	DESCRIPTION	PART NO.
1	Upper Handle	42936C
2	Lower Handle	42895C
3	Bolt	3X136Z
4	Keys Nut	15X66
6	Cable Retainer, Metal	42950
7	Throttle Control, Slide	42949
8	Bolt	3X105
9	Engine Stop Lever	42762C
10	Handle Stop	42765Z
12	Screw	26X220
13	U-Bolt	42896Z
14	Engine Stop Cable	42569
16	Screw	26X234
18	Screw	26X181
19	Clamp	20073

### MOWER PARTS LIST 7-18011

KEY NO.	DESCRIPTION	18"
1	Engine	---
2	Woodruff Key	20062
3	Housing-for Non-folding Handle	70048
4	Axle Bolt	9X10Z
5	Wheel and Tire 6" Dia.	42012
6	Washer	10851Z
7	Flange Locknut	15X68Z
8	Blade Washer	17X137
9	Hex Bolt	1X68
10	Blade	20059
11	Blade Adapter	42734
13	Chute Deflector	20454
14	Push On Cap	28X42
15	Pivot Pin	215X21Z
16	Spring	166X5
17	Screw	26X219
18	Rear Guard	42966
26	Bolt	1X70
28	Engine Bolt	25X6
31	Washer	17X124
33	Hex Nut	15X70
	Instruction Book	F-87400
	Parts Bag	42923
	Grass Catcher (Not Shown) or Supplied With Mower	7-24065