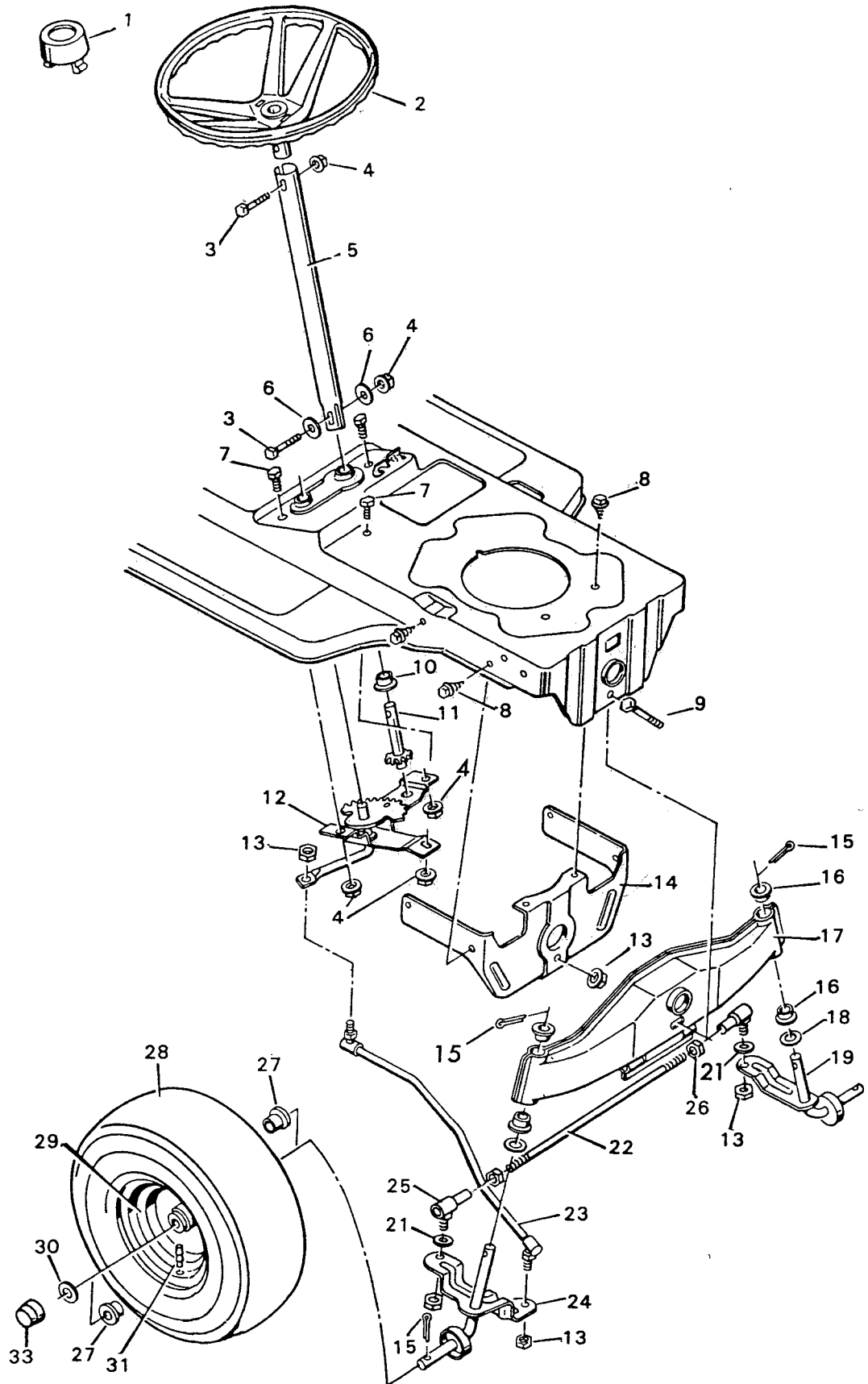


Body Parts

KEY NO.	DESCRIPTION	PART NO.
1	Seat	90368
2	Seat Support	91044
3	Flange Locknut 3/8"-16	15X84
4	Shoulder Bolt 3/8"-16X7/8"	9X30
5	Hex Bolt 5/16"-18X5/8"	1X45
9	Screw	26X49
10	Seat Pivot Bracket	90031
11	Seat Deck	90186
12	Spring	164X17
13	Spring Retainer	90014
14	Seat Deck Support	90633
15	Carriage Bolt	2X53
16	Keps Nut 5/16" 18	15X76
17	Battery Tray	24157
18	Battery Clamp	90632Z
19	Flange Locknut 5/16"-18	15X88
20	Dashboard Assembly	90737
21	Bearing-Steering Post	90081
22	Screw	26X186
23	Battery Clip	55149
24	Right Hood Latch*	90464Z
25	Left Hood Latch*	90465Z
26	Washer*	17X17Z
27	Hex Nut No. 10-24*	15X81
28	Machine Screw No. 10-24X½"*	4X20Z
29	Edge Trim*	90240
30	Hood & Grille Assembly-Complete With Hole	90470
32	Shoulder Bolt 3/8"-16X7/8"	9X14
33	Reflector, Headlight	90009C
34	Lens, Headlight	90082
36	Mat - Foot Rest	90148
37	Frame Channel	90001
40	Washer	17X47Z
42	Headlight Trim	90159C
43	Lock Washer	18X16
	Parts Bag	91062
	Instruction Book	F-7855
	Parts List	F-7856
#	Decal - Hood RH	58X842
#	Decal - Hood LH	58X841
#	Decal - Seat Deck RH	58X848
#	Decal - Seat Deck LH	58X849
#	Decal-Grille	58X845

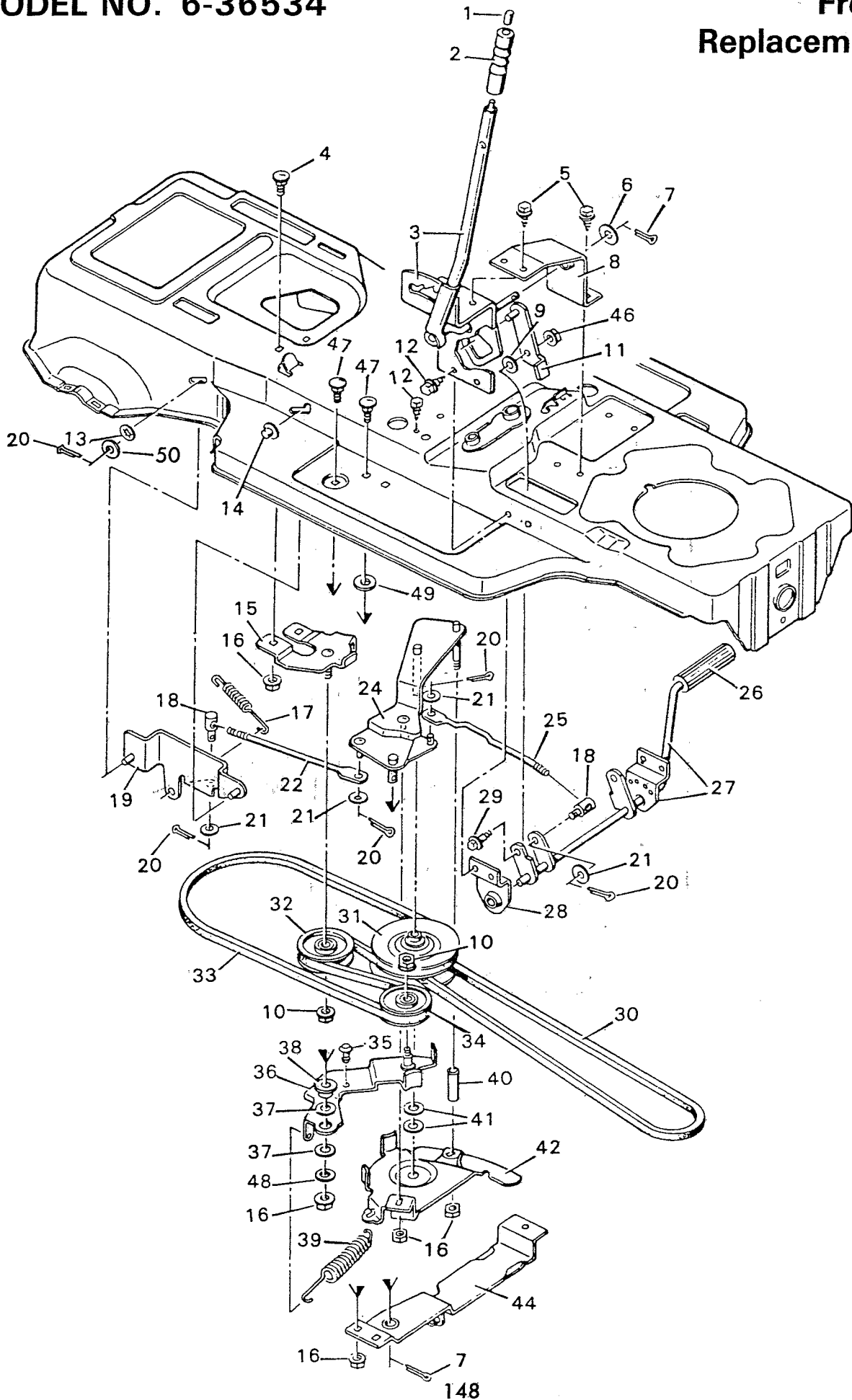
*NOTE: These numbers are included in with key no. 30.



D-5345-1

KEY NO.	DESCRIPTION	PART NO.
1	Cap, Steering Wheel	55367
2	Steering Wheel	55368
3	Hex Bolt 5/16"-18X1½"	1X102
4	Flange Locknut	15X88
5	Steering Post	90130C
6	Washer	17X47Z
7	Hex Bolt 5/16"-18X5/8"	1X45
8	Screw	26 X 49
9	Hex Bolt 3/8"-24X3¼"	1X101
10	Bearing	90035
11	Pinion Gear & Shaft	90132
12	Sector Gear Assembly	90025
13	Flange Locknut 3/8"-24	15X87
14	Front Axle Support	90002
15	Cotter Pin	30X49
16	Spindle Bearing	90035
17	Axle Assembly	90034
18	Washer	17X113
19	Left Spindle Assembly	90037
21	Washer	17X124
22	Tie Rod	21475
23	Drag Link Assembly	90041
24	Right Spindle Assembly	90036
25	Steering Ball Joint	21031
26	Hex Nut	15X61
27	Wheel Bearing	55599
28	Tire Only*	24376
	Tire Tube	407047
29	Wheel Only	24488E
30	Washer-Without hub caps	17X83Z
--	Washer-With hub cap only	17X115
31	Valve Stem & Cap	24373
33	Hub Cap-optional	21662

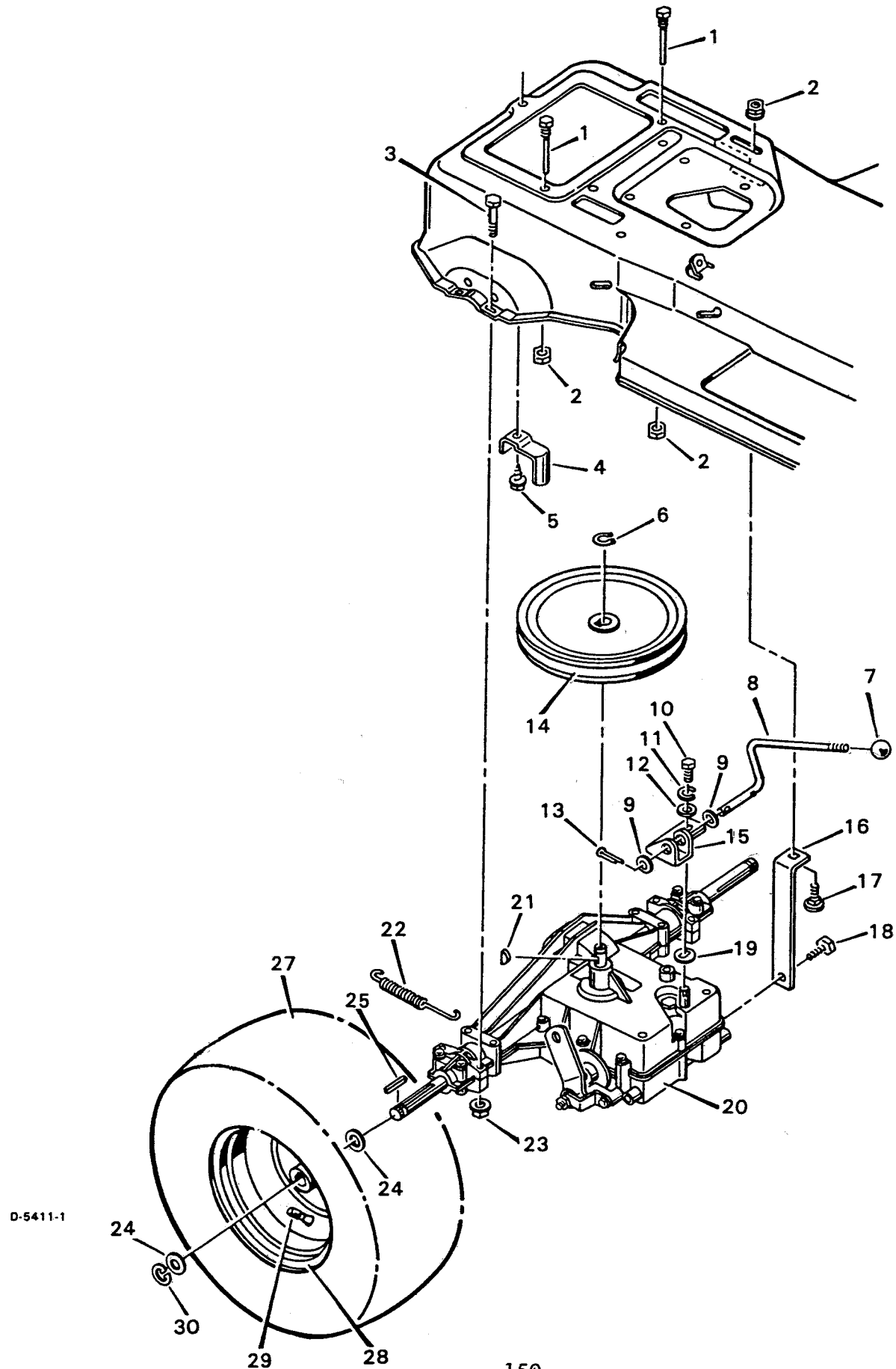
*NOTE: When ordering replacement parts specify the brand name of the tire to ensure that tread pattern will be the same



**FRONT DRIVE
REPLACEMENT PARTS**
MODEL NO. 6-36534

KEY NO.	DESCRIPTION	PART NO.
1	Push Button	90556
2	Grip, Speed Selector	90504
3	Speed Selector Assembly	90522
4	Carriage Bolt 5/16" 18X5/8"	2X53
5	Screw	26X49
6	Washer	17X87Z
7	Cotter Pin	30X49
8	Support Bracket, Speed Selector	90519
9	Washer	17X90
10	Flange Locknut 3/8" 16	15X84
11	Speed Selector Link Assembly	90529
12	Screw	26X197
13	Washer	17X47Z
14	Retainer Cap	28X48
15	Idler Bracket Assembly	90705
16	Flange Nut 5/16" 18	15X79
17	Extension Spring, Brake	165X45
18	Adjustable Nut	21920
19	Brake Plate Assembly	90527
20	Cotter Pin	30X20
21	Washer	17X53Z
22	Link Rod, Brake	90538Z
24	Upper Support Assembly	90543
25	Link Rod, Clutch/Brake	90525Z
26	Clutch/Brake Pedal	21544
27	Pedal Lever Assembly	91331
28	Support Bracket	90013
29	Shoulder Bolt	9X8
30	Belt, Primary Drive*	400285
31	Variator Pulley Assembly	90564
32	Idler Pulley	21409
33	Belt, Secondary Drive*	400285
34	Idler Pulley	20613
35	Slide Button	90506
36	Idler Bracket Assembly	90534Z
37	Thrust Washer	17X142
38	Spacer, Idler Bracket	90508
39	Extension Spring	165X44
40	Spacer, Variator Support	121X74Z
41	Thrust Washer	17X139
42	Lower Variator Support	90540
44	Pivot Support Assembly	90537
46	Flange Locknut 5/16" 18	15X88
47	Carriage Bolt 5/16" 18X1"	2X72
48	Washer	17X146Z
49	Washer	10851Z
	Grease, Variator	407061
50	Washer	17X116Z

* Note: Both belts are included when ordering key no. 30. Both belts must be replaced even if only one belt is damaged.



D-5411-1

F-7999

150

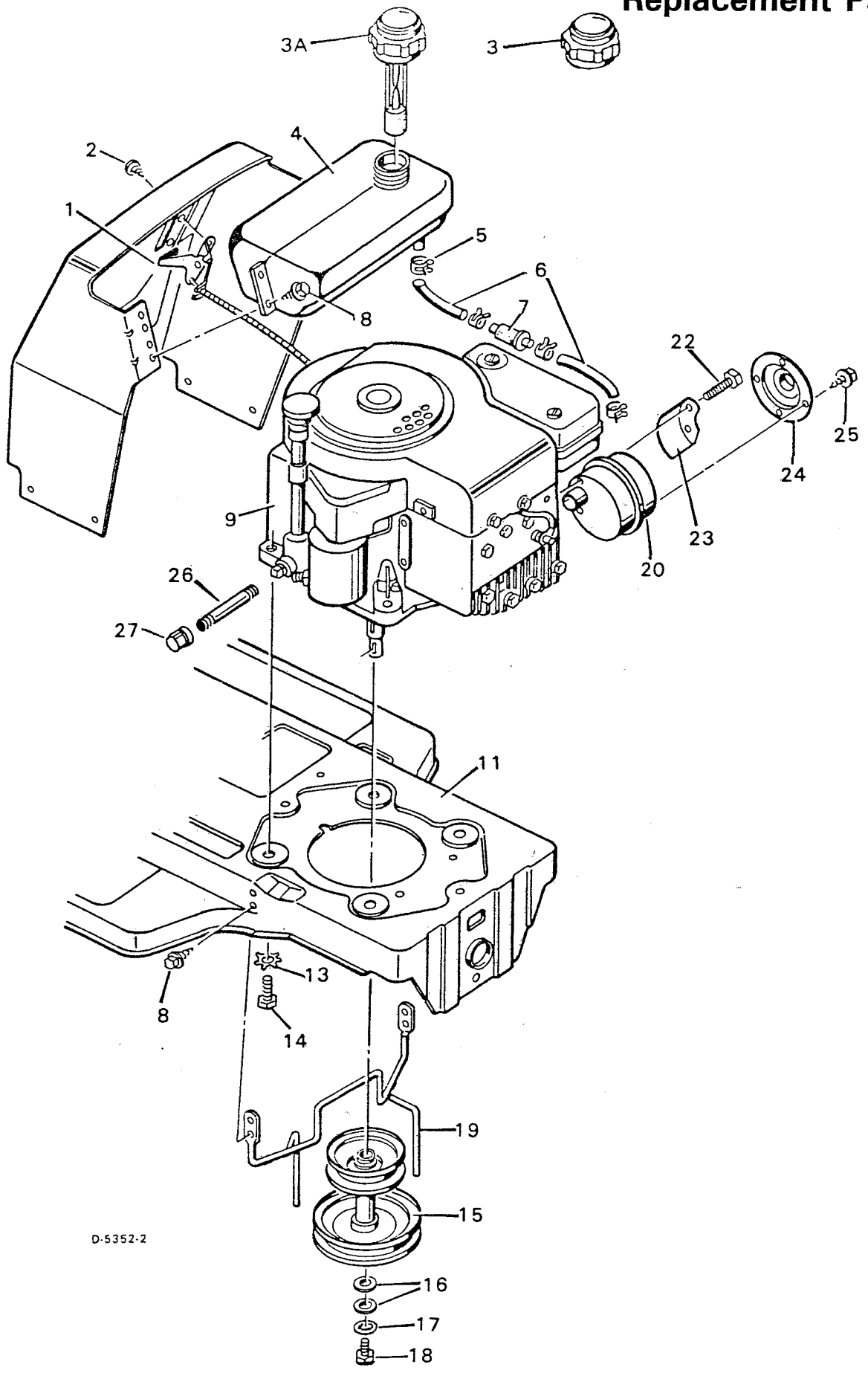
**REAR DRIVE
REPLACEMENT PARTS**
MODEL NO. 6-36534

KEY NO.	DESCRIPTION	PART NO.
1	Bolt, Belt Guide	20619
2	Flange Nut 5/16"-18	15X79Z
3	Hex Bolt 5/16"-18X1 7/8"	1X98
4	Belt Guide	90693
5	Screw	26X49
6	Retainer Ring	11X7
7	Knob, Shift Lever	20739
8	Shift Lever	90670Z
9	Washer	17X102Z
10	Hex Bolt 1/4"-28X1/2"	1X82
11	Lockwasher	18X32
12	Washer	17X32Z
13	Cotter Pin	30X20
14	Input Pulley, Drive	90706
15	Shifter Yoke	90669Z
16	Support, Transaxle	90687Z
17	Carriage Bolt 5/16"-18X3/4"	2X53Z
18	Screw	26X207
19	Washer	17X134
20	Transaxle† Peerless Model No. 900-008	----
21	Woodruff Key No. 9	20697
22	Spring, Brake	165X34
23	Flange Locknut 5/16"-18	15X88
24	Transaxle Washer	21521
25	Square Key 3/16"X2"	21553
27	Tire Only*	24375
--	Inner Tube	407049
28	Wheel Only	24351E
29	Valve Stem and Cap	24373
30	E-Ring	11X3

* NOTE: For replacement parts always give the name on the side of the tire so that the tire tread pattern will be the same.

+ NOTE: Replacement parts for the transaxle are available from a Tecumseh Authorized Service Center. See the yellow pages under, "Engines, Gasoline" or "Gasoline Engines" in the telephone directory.

Engine Mount Replacement Parts



D-5352-2

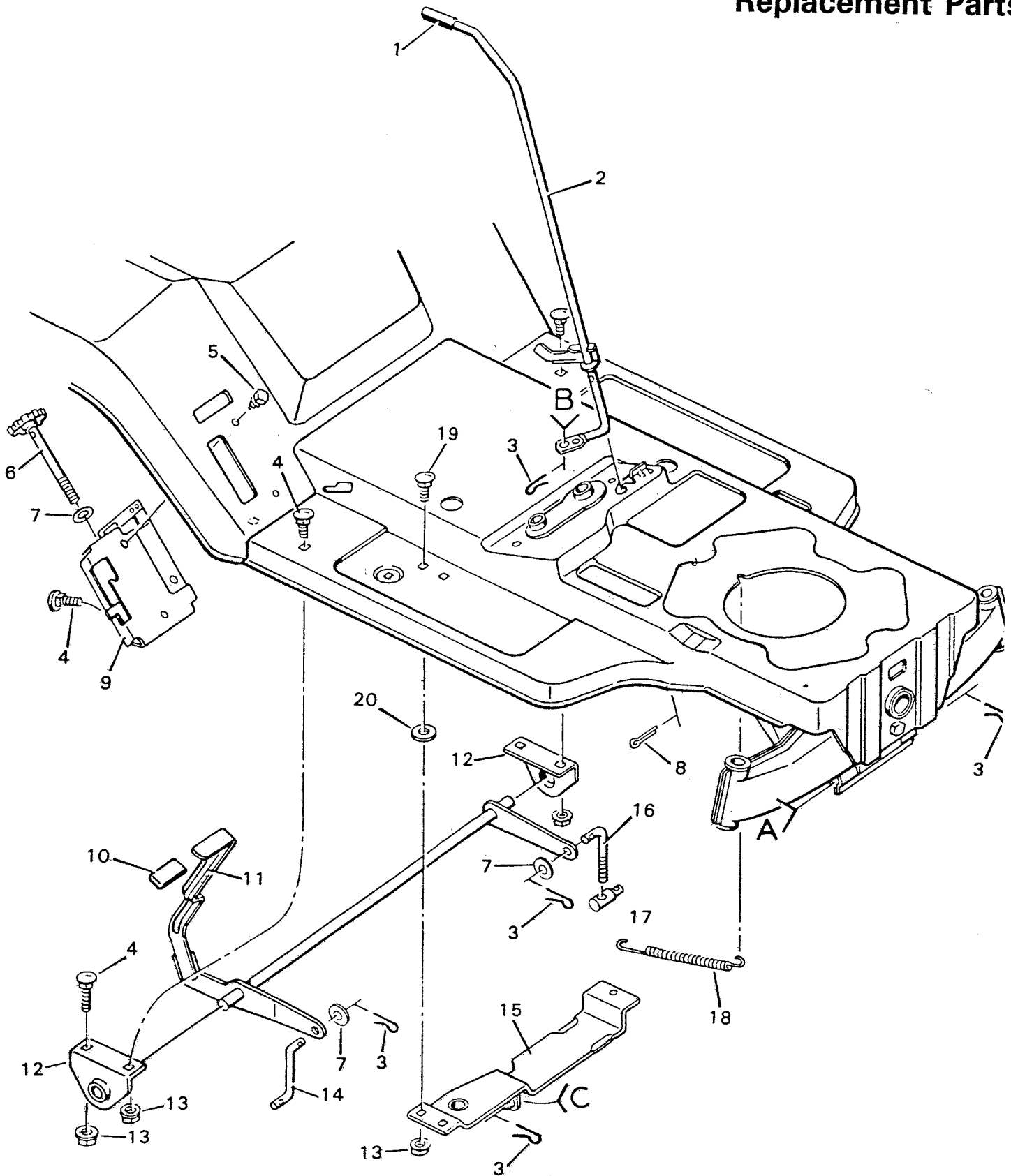
Engine Mount Replacement Parts

MODEL NO. 6-36534

KEY NO.	DESCRIPTION	PART NO.
1	Throttle Control (Complete)	90728
2	Screw	26X159
3	Fuel Cap	23711
3A	Fuel Cap with gauge	24064
4	Fuel Tank	23300
5	Hose Clamp	23713
6	Fuel Line	90671
7	Fuel Filter	24159
8	Screw	26X214
9	Engine†	---
11	Frame Channel	90001
13	Star Washer	19X8
14	Bolt - Engine Mount	20103
15	Stack Pulley Assembly	91557Z
16	Washer	17X103Z
17	Star Washer	19X35
18	Hex Bolt 7/16-20	1X80
19	Belt Guide, Stack Pulley	90560Z
20	Muffler	90330PA
22	Hex Bolt 5/16"-18X3¼"	1X118
23	Muffler Heat Shield	90332
24	Exhaust Deflector	23740Z
25	Screw	26X203
26	Oil Drain Extension	24066
27	Oil Drain Cap	21651

+ NOTE: The Engine Model, Type & Code Numbers are on the engine. All parts to the engine are available from a Briggs and Stratton Authorized Service Center. See the yellow pages under, "Engines, Gasoline" or "Gasoline Engines" in the telephone directory.

Top Half Of Blade Housing Replacement Parts

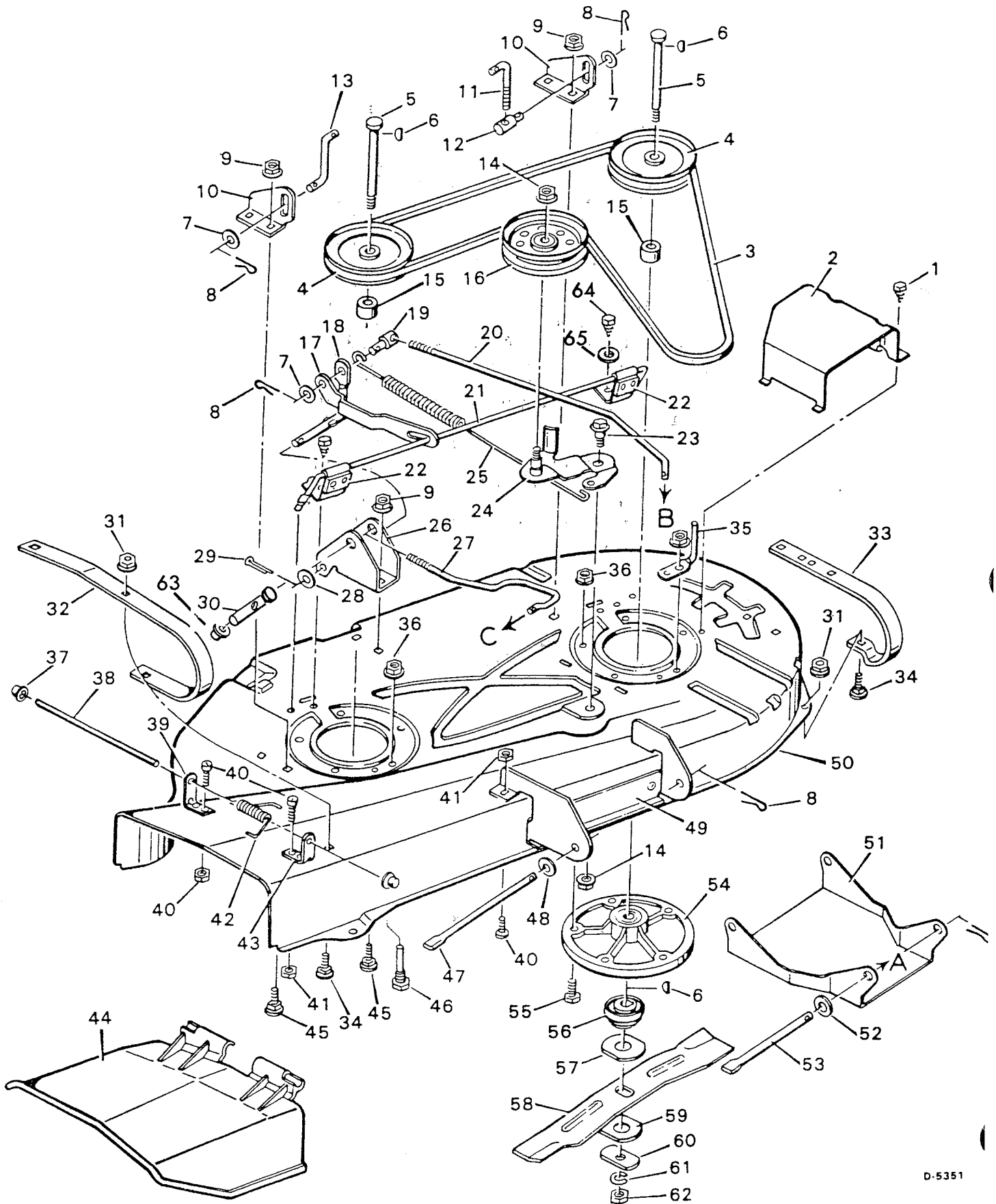


D-5350-2

Top Half Of Blade Housing Replacement Parts

MODEL NO. 6-36534

KEY NO.	DESCRIPTION	PART NO.
1	Grip, Blade Control Lever	20476
2	Blade Control Lever Assembly	90030Z
3	Hair Pin	75336
4	Carrige Bolt	2X64
5	Screw	26X49
6	Adjuster Screw Assembly	90078Z
7	Washer	17X53Z
8	Cotter Pin	30X20
9	Adjuster Bracket Assembly	404063
10	Grip, Lift Lever Assembly	23340
11	Lift Lever Assembly	90549
12	Hanger Bracket	90042
13	Flange Locknut 5/16" 18	15X79
14	Lifter Rod	90099Z
15	Support Channel, Pivot	90537
16	Adjuster Rod	90100Z
17	Adjustable Nut	21920
18	Spring	165X32
19	Carriage Bolt 5/16" 18X1"	2X72
20	Washer	10851Z



Replacement Parts

KEY NO.	DESCRIPTION	PART NO.	KEY NO.	DESCRIPTION	PART NO.
1	Screw ¼"X½"	26X214	32	Skid R.H. *	90392
2	Pulley Cover	90117	33	Skid L.H. *	90353
3	Blade Drive Belt	37X43	34	Carriage Bolt ¼"-20X9/16" *	2X39
4	Jackshaft Pulley	23739	35	Belt Guide	90120Z
5	Jackshaft	24578	36	Flange Locknut 5/16"-18	15X88
6	Woodruff Key No. 6	20062	37	Push on Cap	28X23
7	Washer	17X53Z	38	Deflector Rod	21198Z
8	Hair Pin	75336	39	Rear Deflector Bracket *	21187
9	Flange Nut 5/16"-18 *	15X79	40	Machine Screw #10-24X5/8" *	4X21
10	Lifter Bracket *	90103	41	Hex Locknut#10-24*	15X81
11	Adjuster Rod	90100Z	42	Torsional Spring	166X4
12	Adjustable Nut	21920	43	Front Deflector Bracket*	21186
13	Lifter Rod	90099Z	44	Deflector, Blade Housing	21154
14	Flange Locknut 3/8"-16	15X84	45	Carriage Bolt 5/16"-18X5/8" *	2X53
15	Jackshaft Spacer	24533Z	46	Bolt, Belt Guide	20619
16	Idler Pulley	90118	47	Hanger Rod	90107Z
17	Brake Bar	90121Z	48	Washer	17X57Z
18	Pivot Lever	90113Z	49	Front Hanger Bracket *	90401
19	Adjustable Nut	90115	50	Blade Housing Assembly	91089
20	Control Rod	90114Z		Complete Blade Housing Ass'y**	407918
21	Blade Brake Rod	90122Z	51	Front Hanger	90106
22	Spring Assembly	90123	52	Washer	17X122Z
23	Shoulder Bolt 3/8"-16X7/8"	9X12	53	Hanger Rod	90133Z
24	Idler Bracket Assembly	90110Z	54	Jackshaft Housing	24384
25	Extension Spring	165X33	55	Hex Bolt 5/16"-18X1	1X84
26	Rear Hanger Bracket *	90104	56	Blade Adapter	54211
27	Link Rod	90544Z	57	Washer	24614Z
28	Washer	17X102Z	58	Blade 36 inch	20930
29	Cotter Pin	30X20	59	Washer	21673Z
30	Adjuster Bar	90907	60	Washer	20663Z
31	Flange Locknut ¼"-20 *	15X82	61	Spring Lockwasher	18X27
			62	Hex Nut ½"-20, Blade Mount	15X72
			63	Push Nut	28X54
			64	Screw	26X195
			65	Washer	19X32

*NOTE: These parts are included when ordering key no. 50.

**NOTE: This part number includes key no's. 1-62

WIRING DIAGRAM**MODEL NO. 6-36534****REPLACEMENT PARTS**

KEY NO.	DESCRIPTION	PART NO.
1	Headlight Bulb	90084
2	Washer, Light Socket	90228
3	Socket Assembly	90155
4	Screw	26X233
5	Limit Switch, Clutch	21549
6	Solenoid	24285
6a	Cover, Solenoid	90565
7	Keys Nut 1/4" 20	15X66
8	Limit Switch Blade Control Lever	24273
9	Fuse	54212
11	Ammeter Assembly	90729
12	Ignition Swith and Key	21064PA
12a	Key and Ring (Only)	20729
13	Wiring Harness	90748
14	Light Switch	90647
16	Battery Cable (Red)	24X18
17	Battery Cable (Black)	24X9
18	Battery 25 AMP Hour	21065
	Electrolyte (Battery Acid)	90665
18a	Battery Caps	400262
19	Hex Bolt 1/4" 20X5/8"	1X38
20	Screw	26X49
--	Tie Strap, Wiring Harness	32618