

Body Parts

KEY NO.	DESCRIPTION	PART NO.
1	Seat	90368
2	Seat Support	91045
3	Flange Locknut 3/8"-16	15X84
4	Shoulder Bolt 3/8"-16X7/8"	9X30
5	Hex Bolt 5/16"-18X5/8"	1X45
9	Screw	26X49
10	Seat Pivot Bracket	90031
11	Seat Deck	90182
14	Seat Deck Support	90633
15	Carriage Bolt	2X53
16	Keps Nut 5/16"-18	15X76
17	Battery Tray	24157
18	Battery Clamp	90632Z
19	Flange Locknut 5/16"-18	15X88
20	Dashboard Assembly	90739
21	Bearing-Steering Post	90081
22	Screw	26X186
23	Battery Clip	55149
24	Right Hood Latch*	90464Z
25	Left Hood Latch*	90465Z
26	Washer*	17X17Z
27	Hex Nut No. 10-24*	15X81
28	Machine Screw No. 10-24X1/2"*	4X20Z
29	Edge Trim*	90240
30	Hood & Grille Assembly-Complete With Hole	90470
32	Shoulder Bolt 3/8"-16X7/8"	9X14
36	Mat-Foot Rest	90148
37	Frame Channel	90000
40	Washer	17X47Z
42	Grille Plate	90463E
43	Lock Washer	18X16
	Parts Bag	91061
	Instruction Book	F-7850
	Parts List	F-7851
#	Decal - Hood RH	58X842
#	Decal - Hood LH	58X841
#	Decal - Seat Deck RH	58X850
#	Decal - Seat Deck LH	58X851
#	Decal-Grille	58X934

\*NOTE: These numbers are included in with key no. 30

6-31704A

SUB

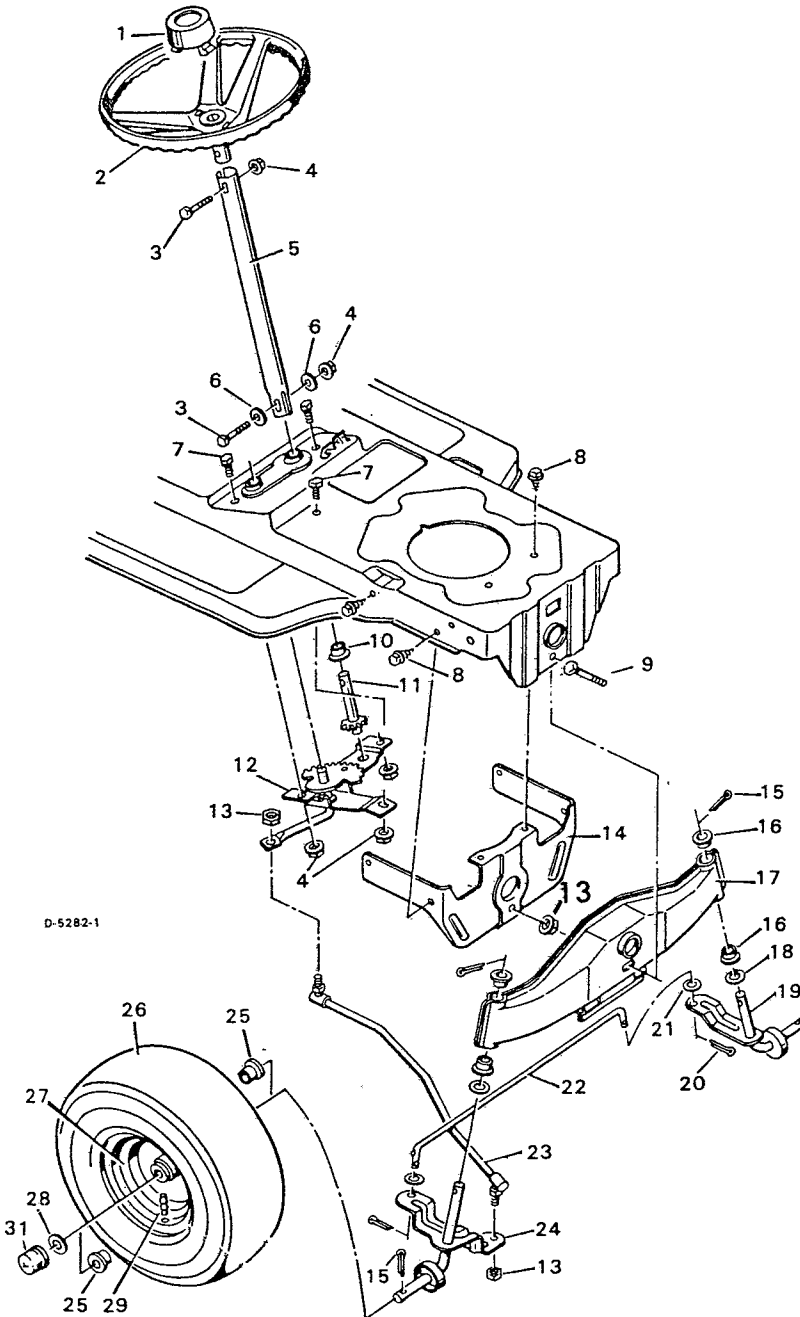
PART NAME

STANDARD

90334PA  
 90702PA  
 1x20  
 10851Z  
 19x39  
 20062  
 90329Z  
 F-7814

Engine  
 Engine  
 Hex Bolt  
 Washer  
 Lock Washer  
 Woodruff Key  
 Stack Pulley  
 Flyer

91113PA  
 91113PA  
 1x80  
 17x103  
 19x35  
 -----  
 91557Z



KEY NO.	DESCRIPTION	PART NO.
1	Steering Wheel Cap	55367
2	Steering Wheel	55368
3	Hex Bolt 5/16''-18X5 1/2''	1X102
4	Keys Nut	15X88
5	Steering Post	90130C
6	Washer	17X47Z
7	Hex Bolt 5/16''-18X5/8''	1X45
8	Screw	26X49
9	Hex Bolt 3/8''-24X3 1/4''	1X101
10	Bearing	90035
11	Pinion Gear & Shaft	90132
12	Sector Gear Assembly	90025
13	Flange Locknut 3/8''-24	15X87
14	Axle Support-Front	90002
15	Cotter Pin	30X49
16	Bearing	90035
17	Axle Assembly	90034
18	Washer	17X113
19	Left Hand Spindle Assembly	90139
20	Cotter Pin	30X20
21	Washer	17X57
22	Tie Rod	90038
23	Drag Link Assembly	90041
24	Right Hand Spindle Assembly	90138
25	Bearing	55599
26	Tire Only*	24407
---	Tire Tube	407046
27	Wheel Only	90726E
28	Washer†	17X83Z
29	Valve Stem & Cap	24373
31	Hub Cap-Optional	21662

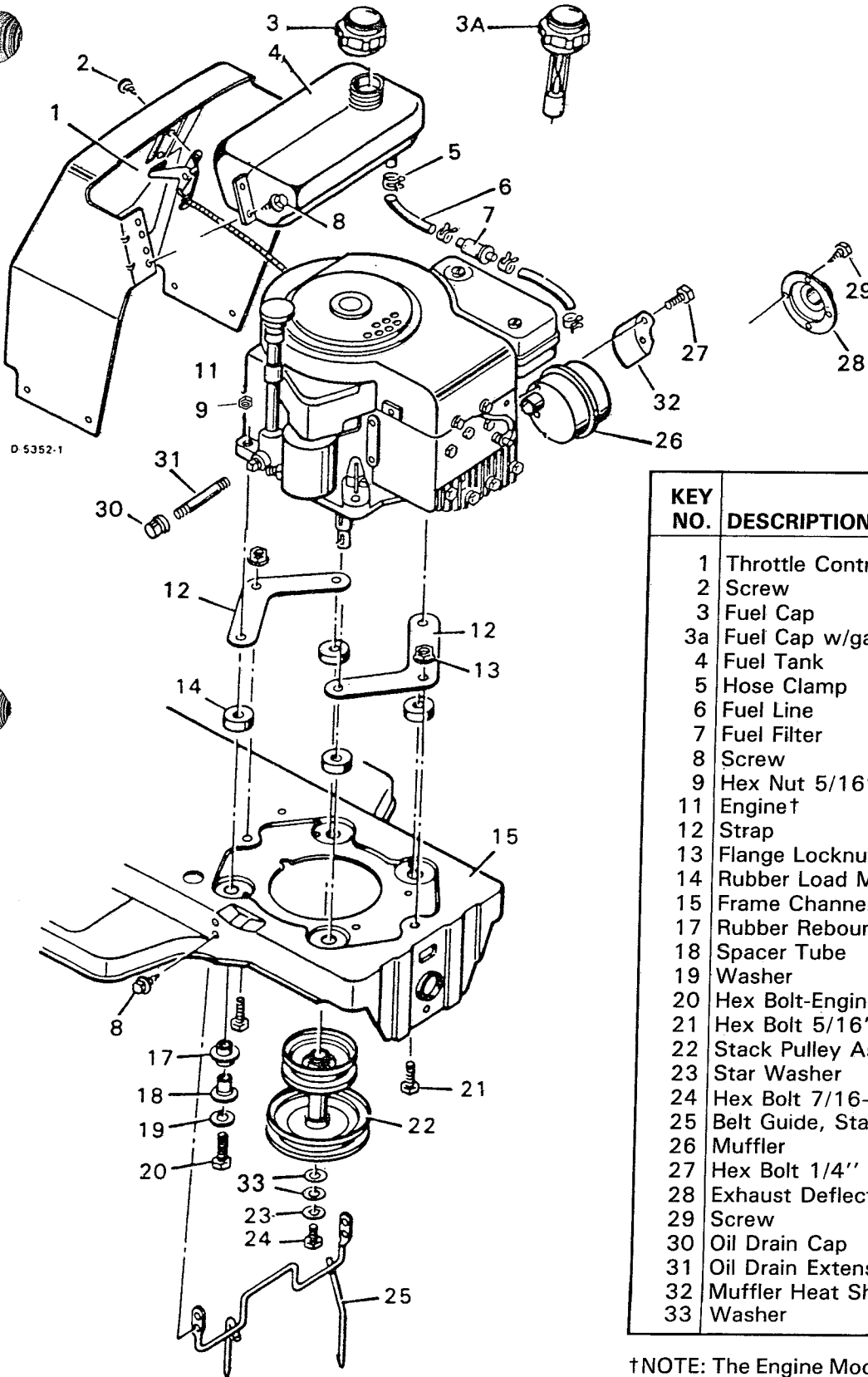
\*NOTE: When ordering replacement parts specify the brand name of the tire to insure that tread patterns on tire match.

†NOTE: If your unit has hub caps, use washer 17X115.

D-5282-1

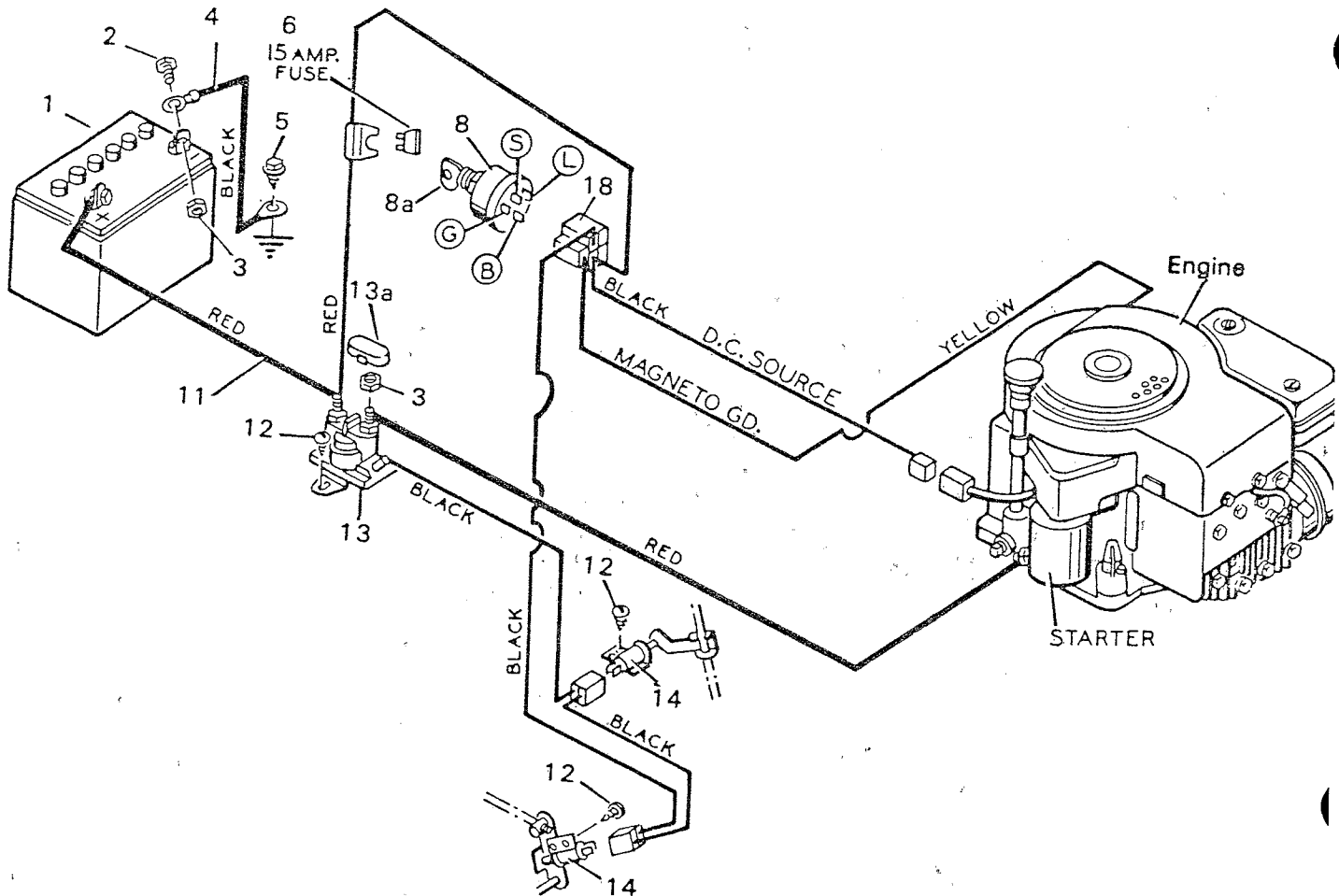
# Replacement Parts Engine Mount

## MODEL NO. 6-31704



KEY NO.	DESCRIPTION	PART NO.
1	Throttle Control (Complete)	90728
2	Screw	26X159
3	Fuel Cap	23711
3a	Fuel Cap w/gauge	24064
4	Fuel Tank	23300
5	Hose Clamp	23713
6	Fuel Line	90671
7	Fuel Filter	24159
8	Screw	26X214
9	Hex Nut 5/16"-24	15X90
11	Engine†	----
12	Strap	90023Z
13	Flange Locknut 5/16"-18	15X88
14	Rubber Load Mount	24589
15	Frame Channel	90000
17	Rubber Rebound Mount	24590
18	Spacer Tube	24591
19	Washer	10851Z
20	Hex Bolt-Engine Mount	1X107
21	Hex Bolt 5/16"-18X5/8"	1X45
22	Stack Pulley Assembly	91557Z
23	Star Washer	19X35
24	Hex Bolt 7/16-20	1X80
25	Belt Guide, Stack Pulley	90276Z
26	Muffler	90331PA
27	Hex Bolt 1/4" 20X3 1/4"	1X117
28	Exhaust Deflector	23740Z
29	Screw	26X203
30	Oil Drain Cap	21651
31	Oil Drain Extension	24066
32	Muffler Heat Shield	90333
33	Washer	17X103

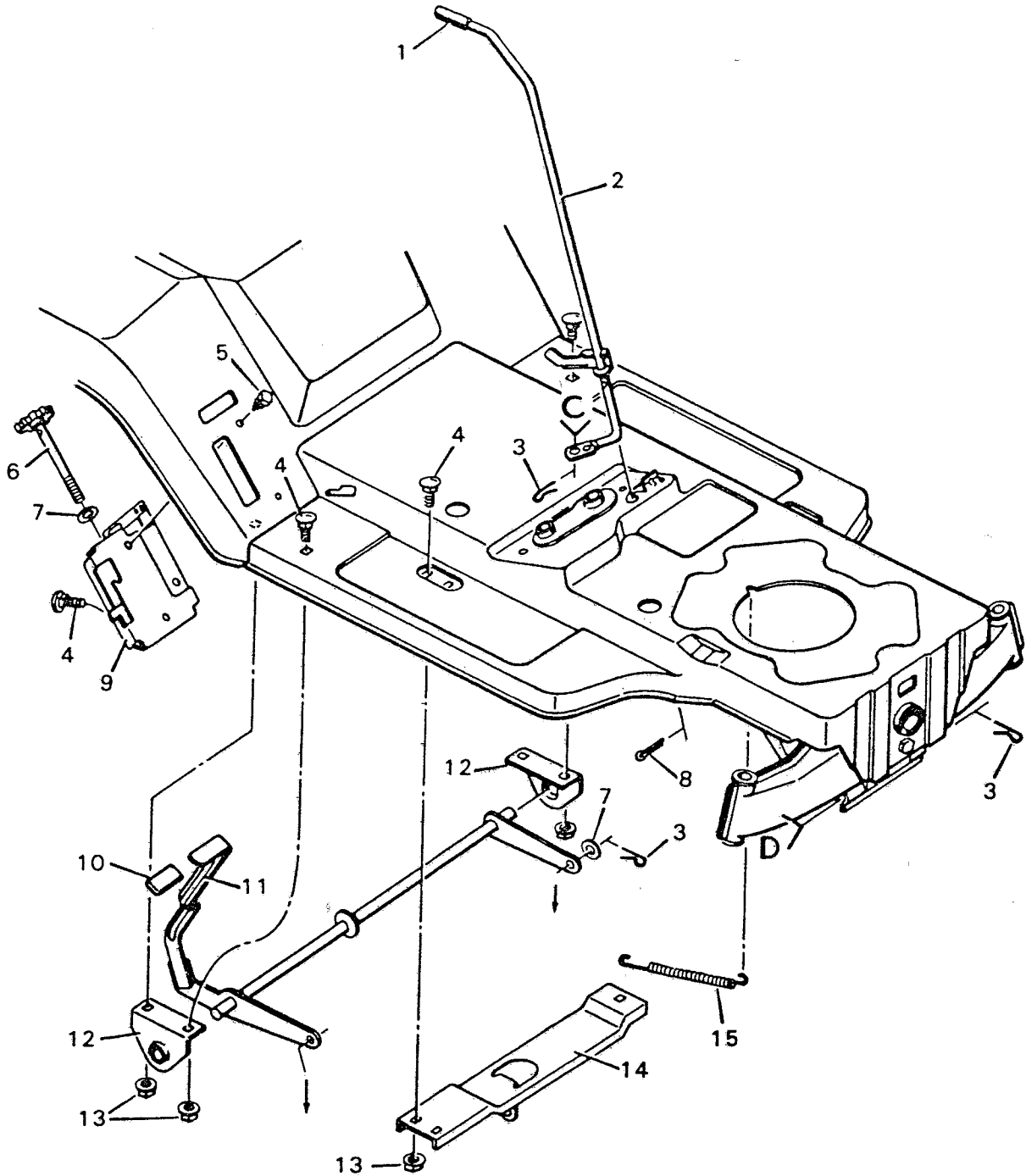
†NOTE: The Engine Model, Type & Code Number are on the engine. All parts to the engine are available from a Briggs and Stratton Authorized Service Center. See the yellow pages under, "Engines, Gasoline" or "Gasoline Engines" in the telephone directory.



KEY NO.	DESCRIPTION	PART NO.
1	Battery-25 AMP HOUR	21065
--	Electrolyte (Battery Acid)	90665
--	Battery Caps	400262
2	Hex Bolt 1/4"-20X5/8"	1X38
3	Keps Nut 1/4"-20	15X66
4	Battery Cable-(Black)	24X9
5	Screw	26X49
6	Fuse	54212
8	Ignition Switch and Key	21064PA
8a	Key and Ring Only	20729
11	Battery Cable-(Red)	24X17
12	Screw	26X233
13	Solenoid	24285
13a	Cover, Solenoid	90565
14	Limit Switch	24273
18	Wiring Harness	90266
--	Tie Strap	32618

Replacement Parts

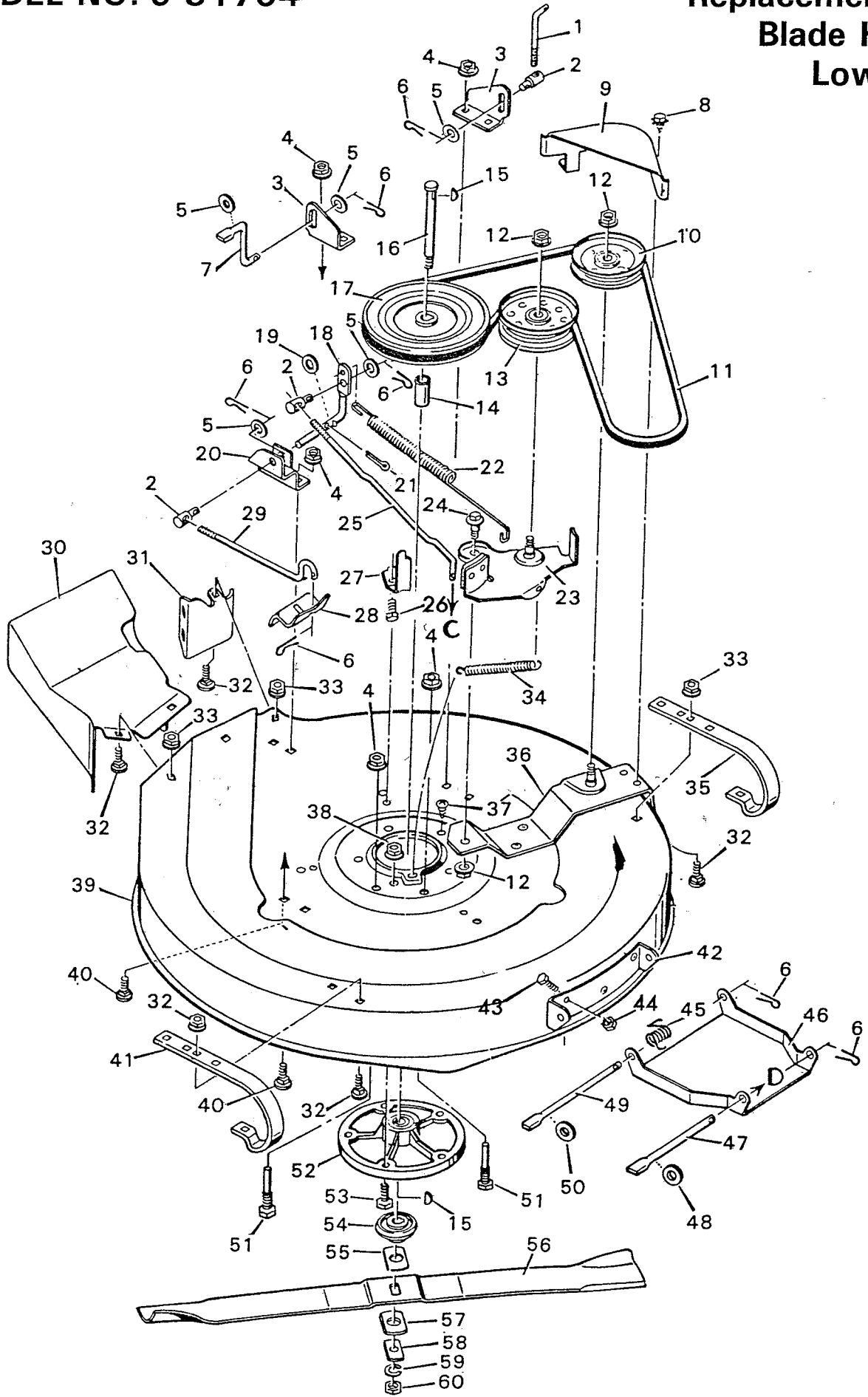
MODEL NO. 6-31704



KEY NO.	DESCRIPTION	PART NO.	KEY NO.	DESCRIPTION	PART NO.
1	Grip, Blade Control Lever	20476	10	Grip, Lift Lever Assembly	23340
2	Blade Control Lever Assembly	90030Z	11	Lift Lever Assembly	90288
3	Hair Pin	75336	12	Hanger Bracket	90042
4	Carriage Bolt	2X64	13	Flange Locknut 5/16" 18	15X79
5	Screw	26X49	14	Support Channel	90028
6	Adjuster Screw Assembly	90078Z	15	Spring	165X32
7	Washer	17X53Z			
8	Cotter Pin	30X20			
9	Adjuster Brkt. Assembly	404063			

# MODEL NO. 6-31704

## Replacement Parts Blade Housing Lower Half

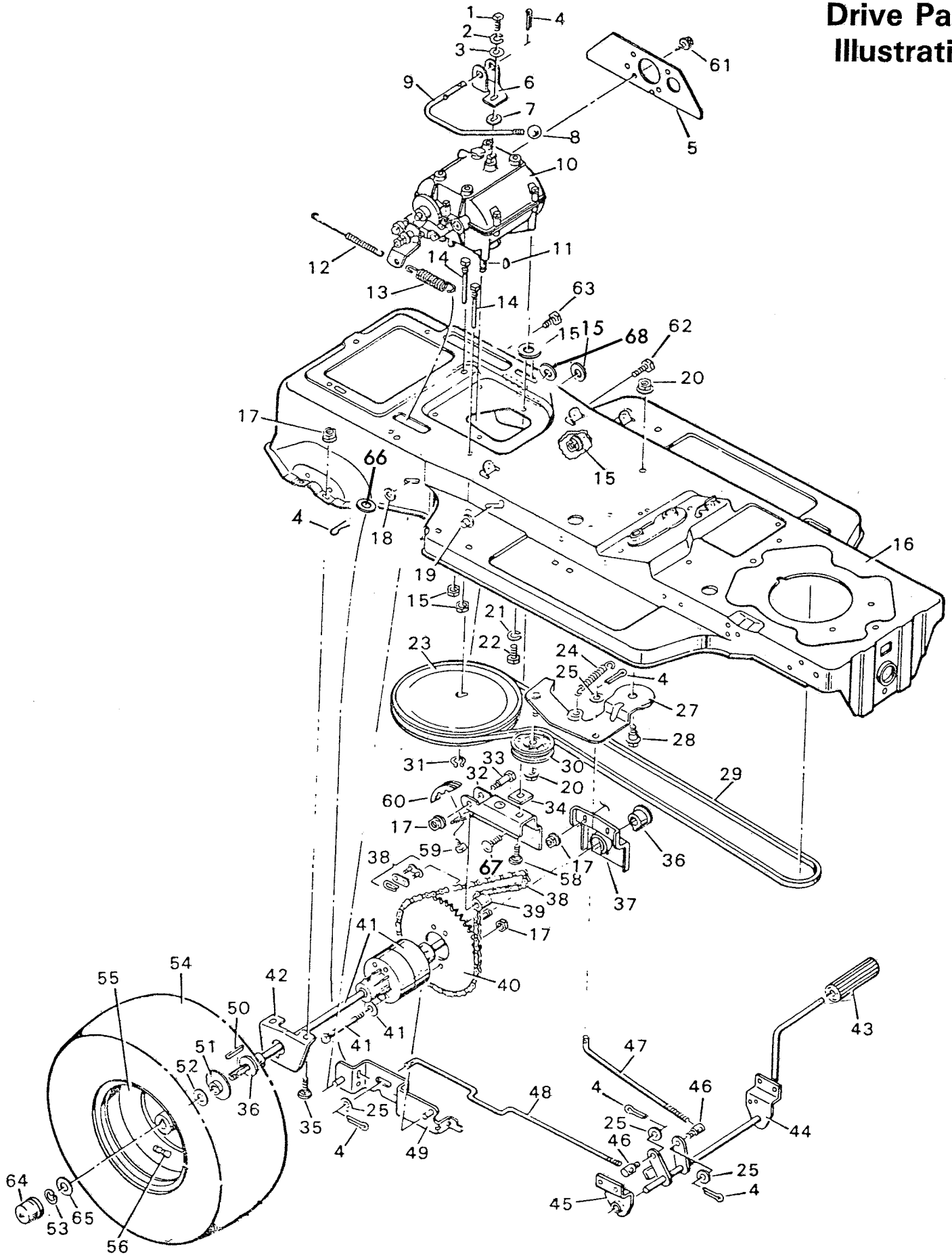


**Replacement Parts****MODEL NO. 6-31704****Blade Housing****Lower Half**

KEY NO.	DESCRIPTION	PART NO.	KEY NO.	DESCRIPTION	PART NO.
1	Adjuster Rod	23704Z	31	Baffle*	90627
2	Adjustable Nut	21920	32	Carriage Bolt*	2X39
3	Lifter Bracket*	90103	33	Flange Locknut 1/4''-20*	15X82
4	Flange Locknut 5/16''-18''	15X79	34	Spring, Blade Brake Extension	165X37
5	Washer	17X53Z	35	Skid, Left*	90353
6	Hairpin	75336	36	Idler Mount Assembly*	90257
7	Lifter Rod	90293Z	37	Screw	6X67
8	Screw	26X214	38	Flange Locknut 5/16''-18	15X88
9	Pulley Cover	90260	39	Blade Housing Assembly (See Note)	90567
10	Idler Pulley	90315	40	Carriage Bolt*	2X53
11	Belt, Blade Drive	37X34	41	Skid, Right*	90453
12	Flange Locknut 3/8''-16	15X84	42	Bracket, Front Hanger*	90233
13	Idler Pulley	90118	43	Hex Bolt 1/4''-20X5/8''*	1X100
14	Spacer, Jackshaft	24533Z	44	Flange Locknut 1/4''-20*	15X82
15	Woodruff Key No. 6	20062	45	Torsional Spring	166X19
16	Jackshaft	24578	46	Hanger, Front	90232
17	Pulley, Blade Drive	90242	47	Rod, Front Hanger	90133Z
18	Pivot Lever	90339Z	48	Washer	17X122Z
19	Washer	17X102Z	49	Rod, Rear Hanger	90107Z
20	Bracket, Rear Support*	90340	50	Washer	17X57Z
21	Cotter Pin	30X20	51	Bolt, Belt Guide	20619
22	Spring, Blade Drive	165X36	52	Jackshaft Housing	24384
23	Brake and Idler Assembly	90342	53	Hex Bolt 5/16''-18X1''	1X84
24	Shoulder Bolt	9X15	54	Blade Adapter	54211
25	Control Rod	90253Z	55	Washer	24614Z
26	Hex Bolt 5/16''-18X5/8''	2X64	56	Blade, 30 Inch	24524
27	Belt Guide	24518Z	57	Washer	21673Z
28	Link Retainer	90262Z	58	Washer	20663Z
29	Link, Blade Housing	90261Z	59	Lockwasher	18X27
30	Deflector, Blade Housing*	90351	60	Hex Nut	15X72
				Complete Blade Housing, Keys 1-60	403187

NOTE: Parts shown with an asterisk (\*) in the description are included with key no 39.





## Drive Parts

KEY NO.	DESCRIPTION	PART NO.	KEY NO.	DESCRIPTION	PART NO.
1	Hex Bolt 1/4"-28X1/2"	1X82	33	Shoulder Bolt**	9X22
2	Lockwasher	18X32	34	Spacer	90177Z
3	Washer	17X32Z	35	Carriage Bolt 5/16"-18X5/8***	2X53
4	Cotter Pin	30X20	36	Axle Bearing	55597
5	Chain Guide & Support, Transmission	90681Z	37	Left Bearing Plate	90678Z
6	Shifter Yoke	90183Z	38	Roller Chain & Link	90348
7	Washer	17X134	39	Roller**	90176
8	Knob, Shift Lever	20739	40	Sprocket, 50 Tooth & Guard Asst.	55621
9	Shift Lever	90192Z	41	Differential + Peerless Mdel 100-011	90226
10	Transmission + Peerless Model 754-B	----	42	Right Bearing Plate	90346Z
11	Woodruff Key No. 9	20697	43	Clutch and Brake Fedal	21544
12	Spring	165X34	44	Lever Assembly	90766
13	Spring	165X7	45	Support Bracket	90013
14	Bolt, Belt Guide	20619	46	Adjustable Nut	21920
15	Flange Locknut 5/16"-18	15X88	47	Clutch Rod	90066Z
16	Frame Channel	90000	48	Brake Rod	90067Z
17	Flange Locknut 5/16"-18**	15X88	49	Brake Link Assembly	90068E
18	Washer	17X47Z	50	Square Key-3/16"	21553
19	Cap Retainer	28X48	51	Extruded Washer	23041Z
20	Flange Nut 3/8"-16	15X84	52	Transaxle Washer	17X113
21	Lockwasher	18X15	53	E-Ring	11X3
22	Hex Bolt 5/16"-18X3/4"	1X91	54	Tire (Only)*	24393
23	Drive Pulley	90190		Tire Tube (Only)*	407048
24	Extension Spring	165X31	55	Wheel (Only)*	24391E
25	Washer	17X53Z	56	Valve Stem and Cap*	24373
27	Idler Bracket Assembly	90011Z	58	Carriage Bolt 5/16"-18X3/4"	2X72
28	Shoulder Bolt 3/8"-16X7/8"	9X12	59	Screw**	26X214
29	Drive Belt	37X27	60	Guide Block**	23403
30	Idler Pulley	21409	61	Screw	25X4
31	Retainer Ring	11X7	62	Hex Bolt 5/16"-18X1"	1X84
32	Chain Idler Bracket	90480	63	Hex Bolt 5/16"-18X5/8"	1X45
			64	Hub Cap-Optional	21662
			65	Washer-for models with hub caps	17X115
			66	Washer	17X116Z
			67	Shoulder Bolt	9X32
			68	Washer	17X125

NOTE: Parts shown with an (\*\*\*) in the description are included with key no. 32.

NOTE: For replacement parts, always give the name of the side of the tire so that the tire tread pattern will be the same.

NOTE: Parts shown with an (+) in the description are available from a Tecumseh Authorized Service Center. See the yellow pages under, "Engines, Gasoline" or "Gasoline Engines" in the telephone directory.