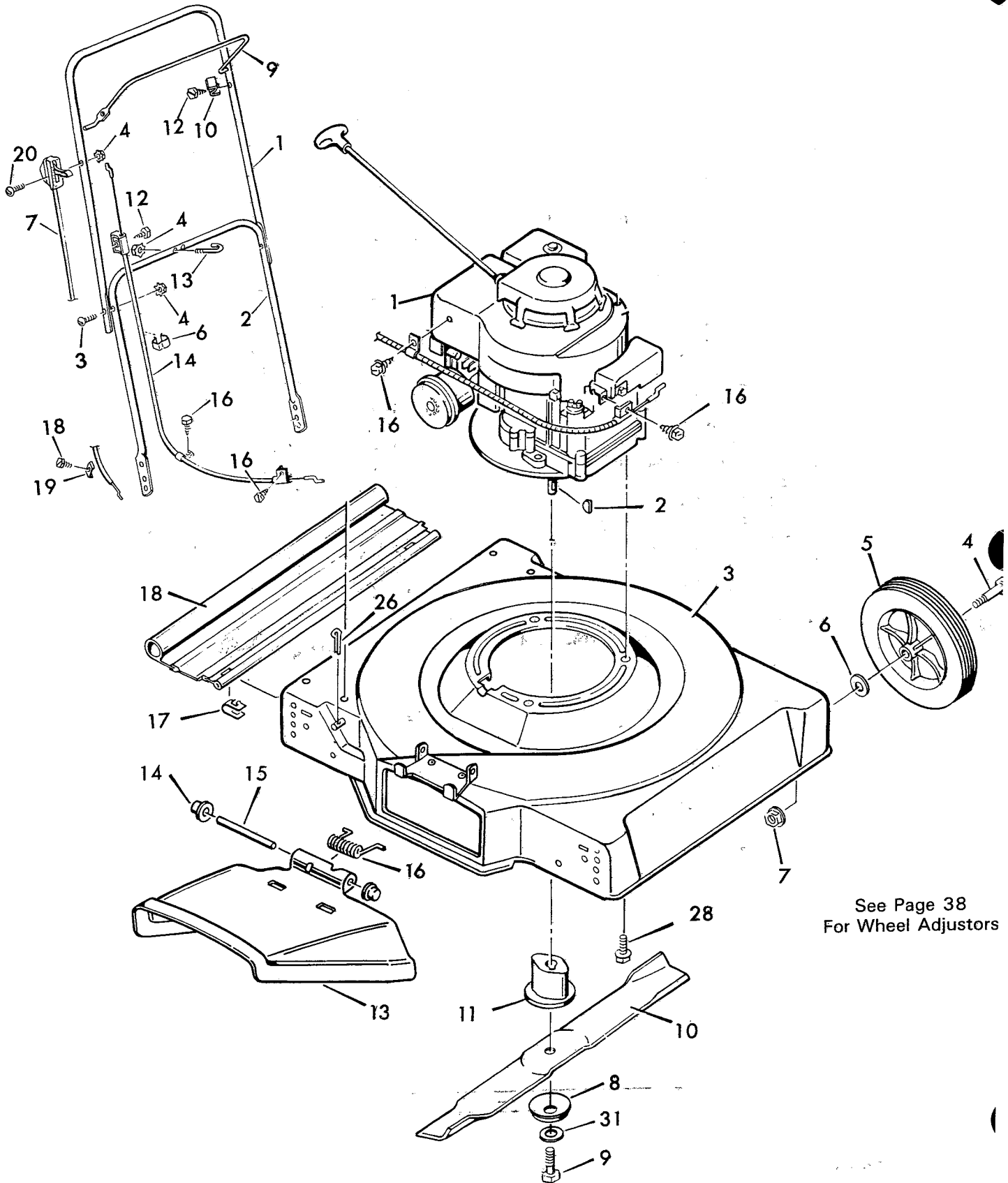


Mower Housing Illustration

6-22221
6-22251 With Wheel Adjustors
6-22211 Economy Pack



See Page 38
For Wheel Adjustors

**Mower Housing
Illustration**

**6-22221
With Wheel Adjustors 6-22251
(ECONOMY PACK) 6-22211**

KEY	DESCRIPTION	6-22221	6-22251	6-22211
1	Engine	---	---	---
2	Woodruff Key	20062	20062	20062
3	Housing-for Non-folding Handle	70081	70081	70081
4	Axle Bolt	9X10Z		9X10Z
5	Wheel and Tire *	20270	20270	20270
6	Washer	10851Z		10851Z
7	Flange Locknut	15X68Z		15X68Z
8	Blade Washer	17X137	17X137	17X137
9	Hex Bolt	1X68	1X68	1X68
10	Blade	20046	20046	20046
11	Blade Adapter	42734	42734	42734
13	Chute Deflector	42919	42919	42919
14	Push On Cap	28X42	28X42	28X42
15	Pivot Pin	22326Z	22326Z	22326Z
16	Spring	166X5	166X5	166X5
17	Retainer	42743	42743	42743
18	Rear Guard	42747	42747	42747
26	Cotter Pin	30X35	30X35	30X35
28	Engine Bolt	20103	20103	20103
31	Washer	17X124	17X124	17X124
	Instruction Book	F-7892	F-7892	F-7892
	Parts Bag	42920	42922	42921
	Grass Catcher (Not Shown)	6-24065	6-24065	6-24065

HANDLE PARTS LIST

KEY NO.	DESCRIPTION	PARTS NO.
1	Upper Handle	42939C
2	Lower Handle	42891C
3	Bolt	3X136Z
4	Keps Nut	15X66
6	Cable Retainer, Metal	42950
7	Throttle Control, Slide	42949
9	Engine Stop Lever	42764C
10	Handle Stop	42765Z
12	Screw	26X220
13	U-Bolt	42896Z
14	Engine Stop Cable	42569
16	Screw	26X234
18	Screw	26X181
19	Clamp	20073
20	Screw	3X105

6-22251A

SUB

42308PA
42066
1x72
E-7737

PART NAME

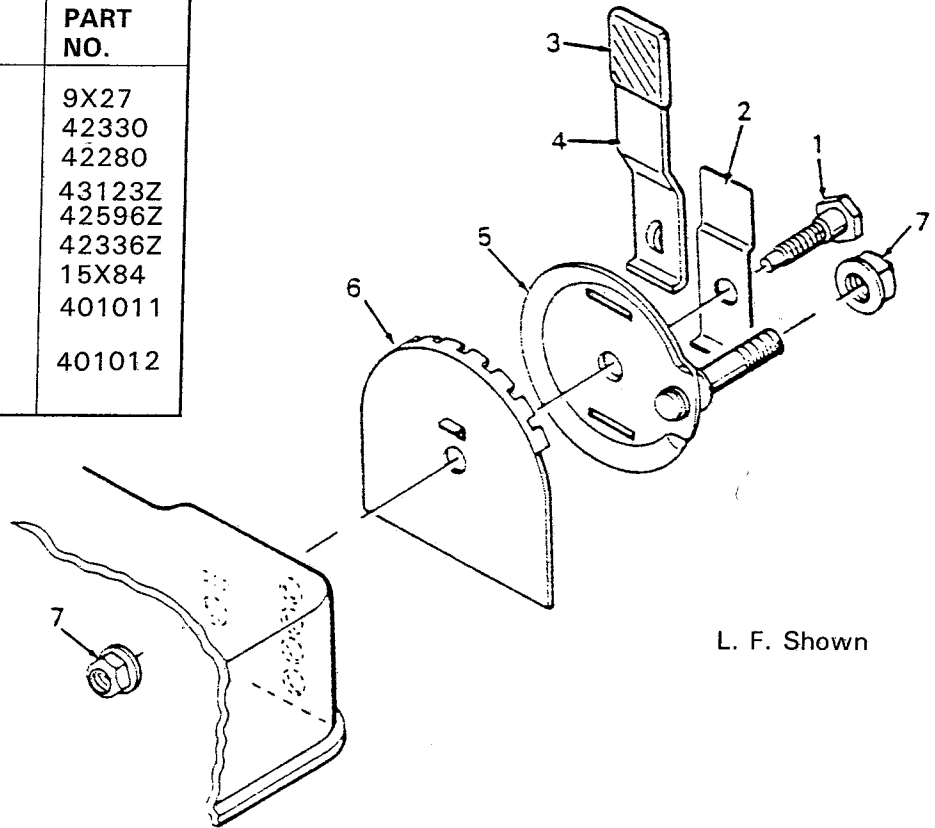
Engine
Blade Adaptor
Blade Bolt
Flyer

STANDARD

42300
42734
1x68

For Murray Parts Call 606-678-9623 or 606-561-4983
**Wheel Adjuster Assembly For 6-22551, 6-22583,
 6-22251, 6-22261, 6-22271 & 6-Specials
 of These Murray Models**

KEY NO.	DESCRIPTION	PART NO.
1	Shoulder Bolt	9X27
2	Spring	42330
3	Grip	42280
4	Adjuster Lever	43123Z
5	Wheel Adjuster Bracket	42596Z
6	Index Plate	42336Z
7	Flange Nut	15X84
1-7	Wheel Adjuster Assembly Right Front or Left Rear	401011
1-7	Wheel Adjuster Assembly Left Front or Right Rear	401012



**Wheel Adjuster Assembly For 6-21951,
 6-21961 & 6-Specials Of These Murray Models**

KEY NO.	DESCRIPTION	PART NO.
1	Adjuster Lever, Rear Bagger	42757
2	Shoulder Bolt	9X26
3	Hex Nut	15X84
4	Washer	17X102Z
5	Grip	20065
6	Hex Bolt	1X85
7	Index Plate-LF,RR	42753Z
7	Index Plate-RF,LR	42754Z
8	Hex Nut	15X97
9	Flange Nut	15X68Z
1-9	Height Adj. Ass'y, Rear Bagger (For right front or left rear)	400275
1-9	Height Adj. Ass'y, Rear Bagger (For left front or right rear)	400276

