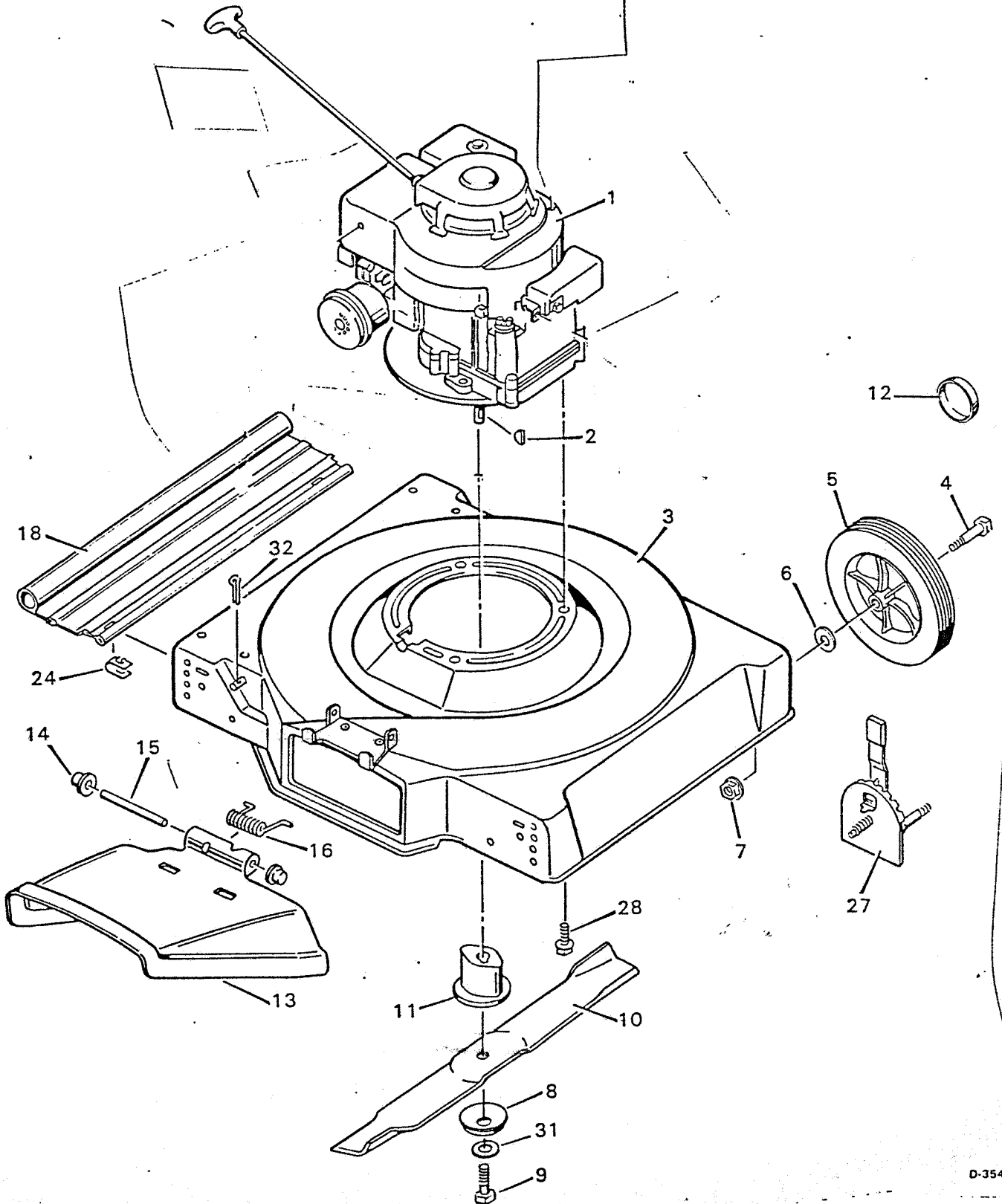


6-22221x18

MOWER HOUSING



D-3547

MOWER HOUSING

MOWER HOUSING

KEY

NO. DESCRIPTION

PART NO.

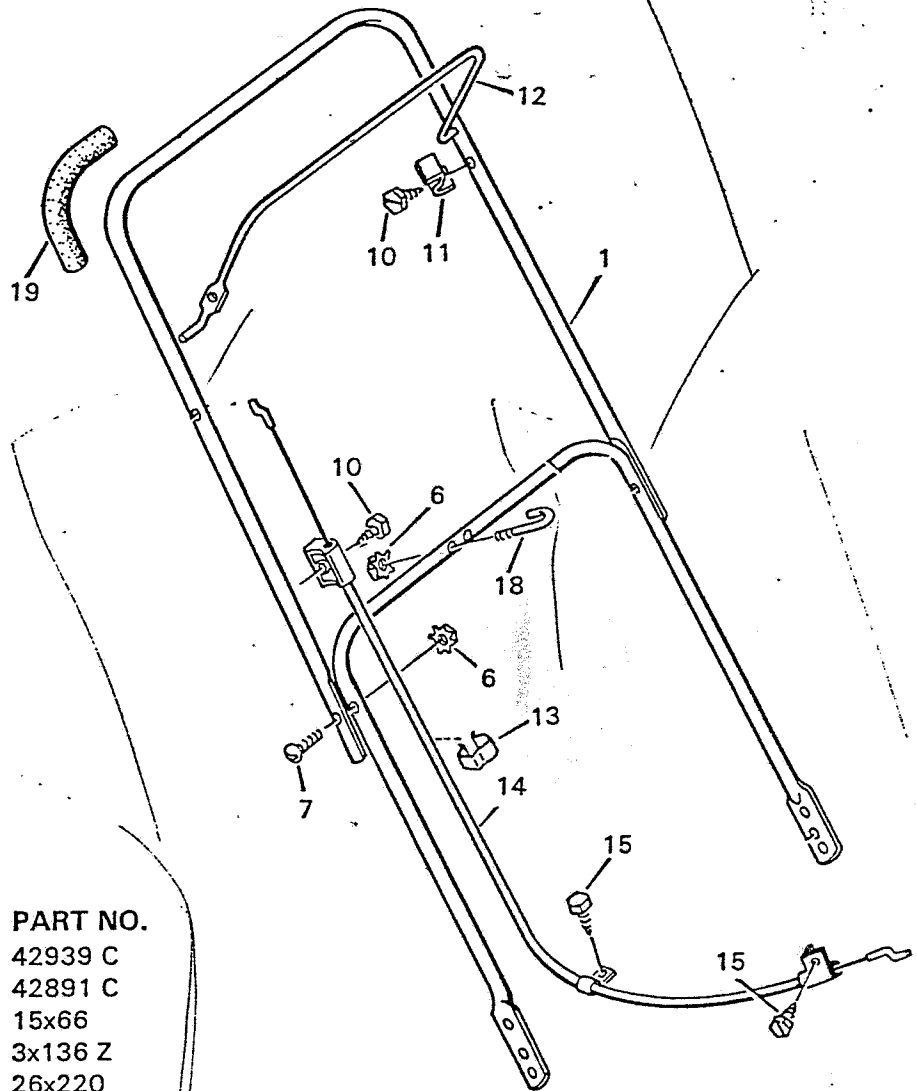
NO.	DESCRIPTION	PART NO.
1	Engine *	—
2	Key, Woodruff	20062
3	Housing	70081
4	Bolt, Axle	9x10 Z
5	Wheel and Tire **	— 202703
6	Washer	10851 Z
7	Locknut, Flange	15x68 Z
8	Washer	17x137
9	Bolt, Hex	1x68
10	Blade	20046 HT
11	Adapter, Blade	42734
12	Hub Cap, Plastic	20107
—	Hub Cap, Metal	22115
13	Chute Deflector	42919
14	Push On Cap	28x42
15	Pivot Pin	22326 Z
16	Spring	166x5
18	Rear Deflector	42747
24	Retainer	42743
26	Screw	26x234
27	Height Adjuster ***	—
28	Bolt, Engine	20103
31	Washer	17x124
32	Pin, Cotter	30x35

* Parts are available from a Tecumseh Authorized Service Center. See "Engines, Gasoline" or "Gasoline Engines" in the yellow pages of the telephone directory.

** See the "Wheel And Tire Parts List" page.

*** See the "Height Adjuster Parts List" page.

HANDLE PARTS LIST

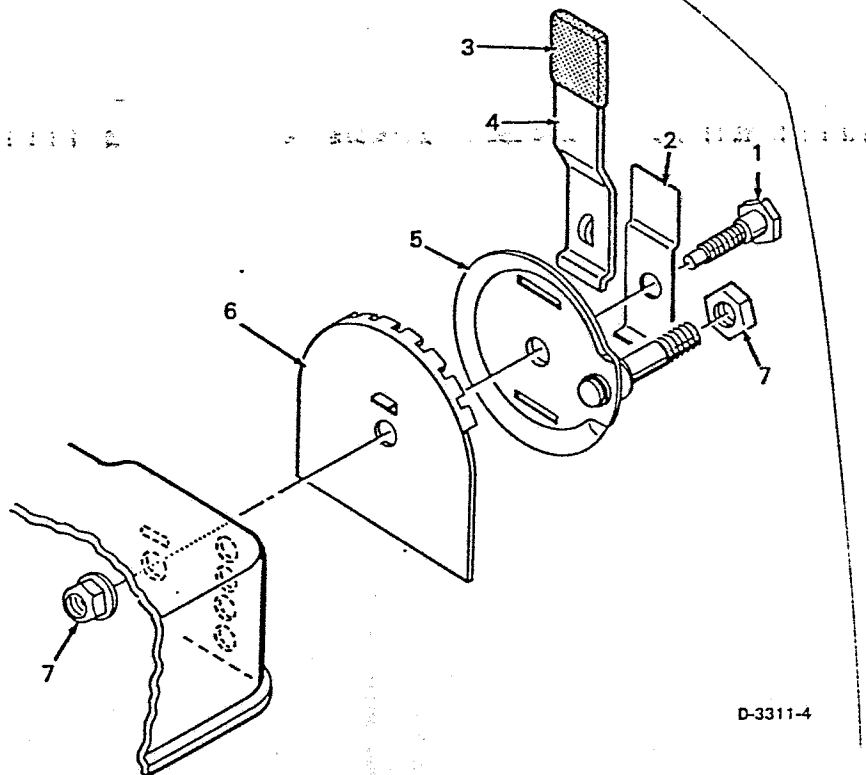


D-3304-3

KEY NO.	DESCRIPTION	PART NO.
1	Handle, Upper	42939 C
2	Handle, Lower	42891 C
6	Locknut	15x66
7	Bolt	3x136 Z
10	Screw	26x220
11	Stop, Lever	42765 Z
12	Engine Stop Lever	42764 C
13	Clamp, Cable	42950
14	Engine Stop Cable	42940
15	Bolt	26x224
18	U bolt	42896 Z
19	Grip, Two Piece Foam	35076
—	Grip, One Piece Foam	42062

STANDARD HEIGHT ADJUSTER ASSEMBLY

KEY NO.	DESCRIPTION	PART NO.
1	Shoulder Bolt	9x27
2	Spring	42330
3	Grip	42280
4	Adjuster Lever	43123 Z
5	Wheel Adjuster Bracket	42596 Z
6	Index Plate	42336 Z
7	Flange Nut	15x68 Z
1-7	Height Adjuster Assembly (For Right Front or Left Rear)	401011
1-7	Height Adjuster Assembly (For Left Front or Right Rear)	401012



D-3311-4