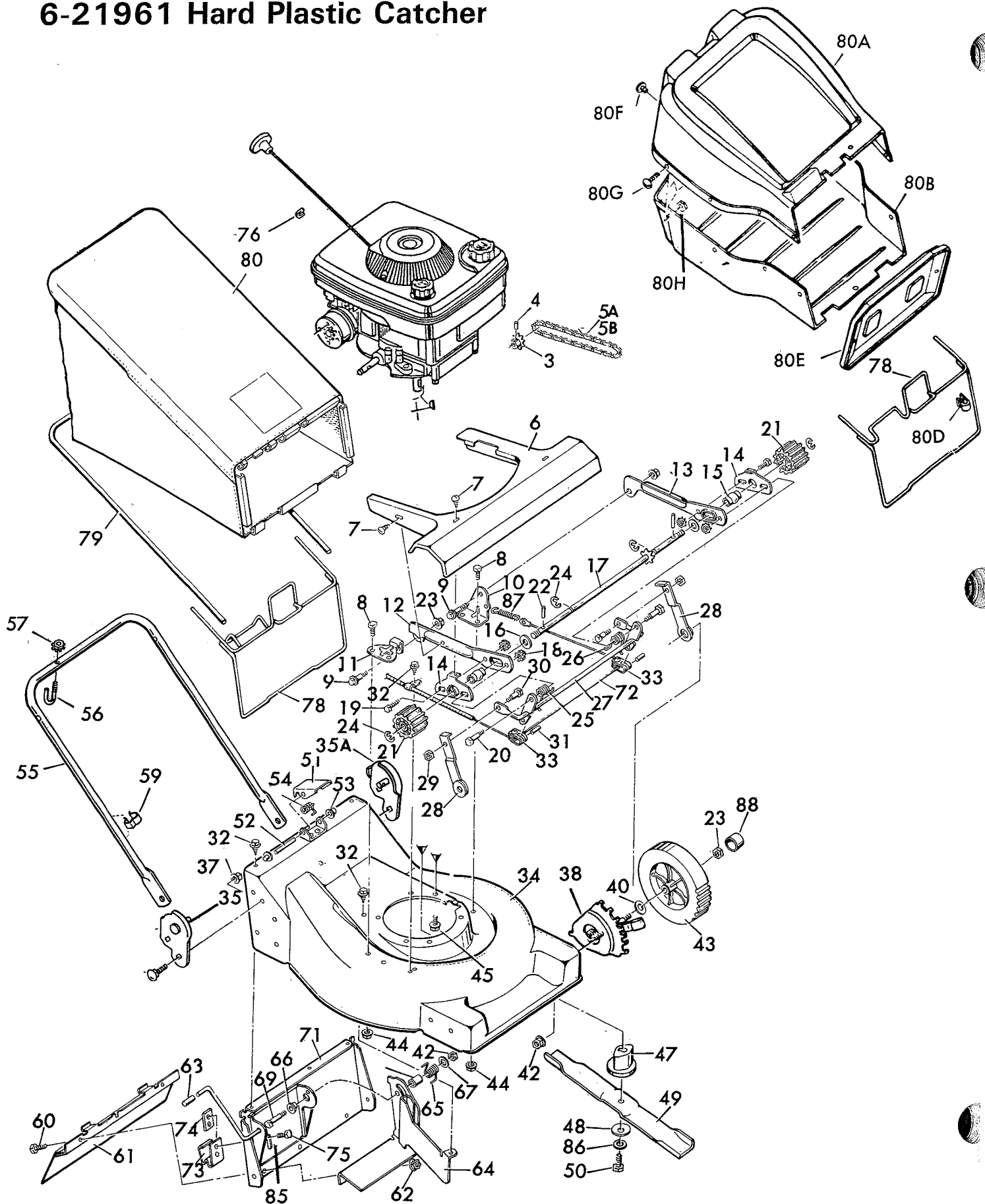


Model Nos.
6-21951 Cloth Bag
6-21961 Hard Plastic Catcher

Mower Housing Illustration



MOWER HOUSING PARTS LIST

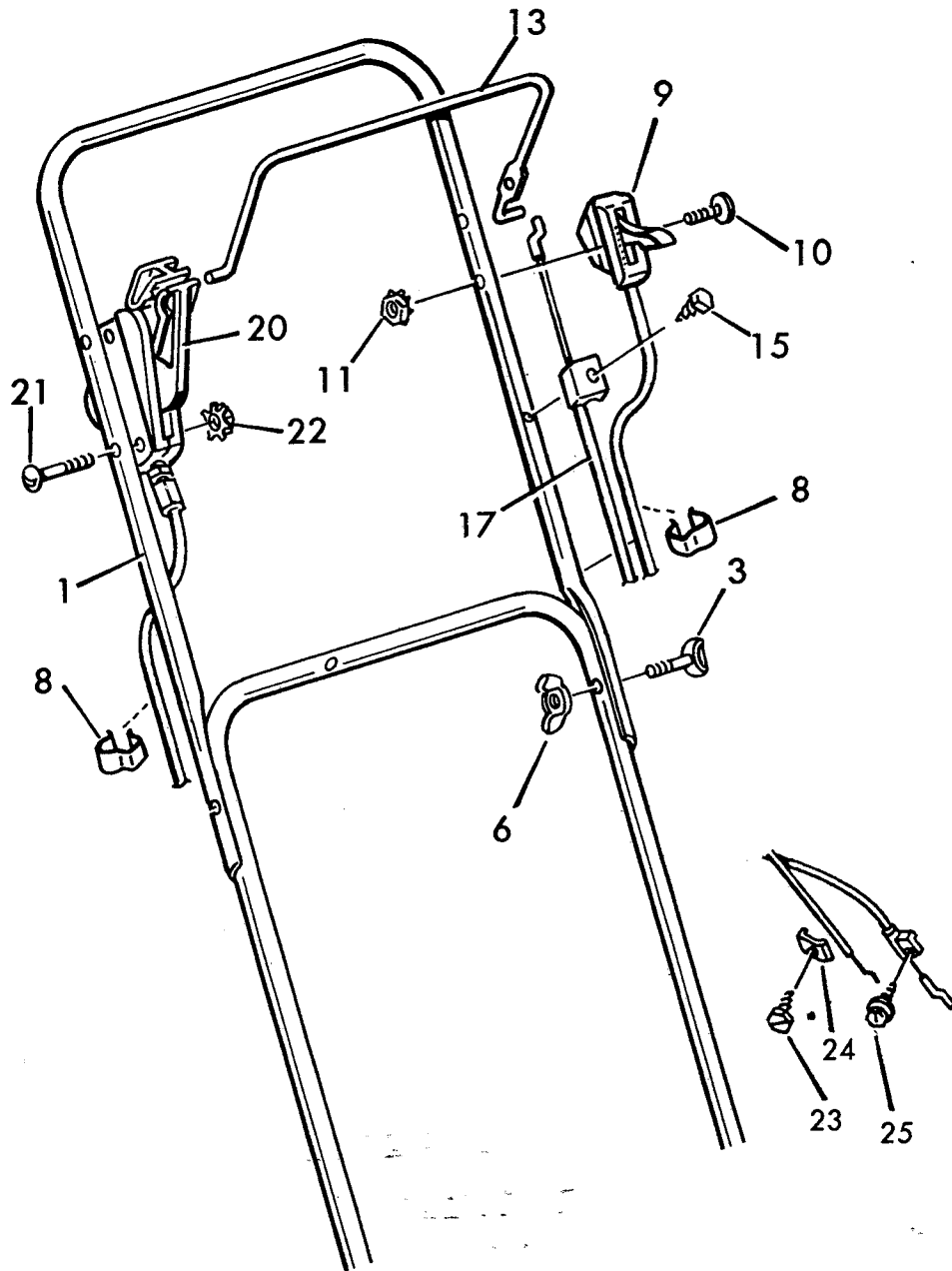
MODEL NO. 6-21951 3.5 HP

MODEL NO. 6-21961 4 HP

KEY NO.	DESCRIPTION	MODEL 21951	MODEL 21961	KEY NO.	DESCRIPTION	MODEL 21951	MODEL 21961
1	Engine	----	----	47	Blade Adapter	42735	42735
2	Woodruff Key	20062	20062	48	Washer	17X137	17X137
3	Sprocket	42489	42489	49	Blade	22860	22860
4	Spring Pin	32X64	32X64	50	Hex Bolt	1X69	1X69
5	Drive Chain	42488	42488	51	Latch	42004Z	42004Z
5A	Snap Link	11343	11343	52	Latch Pin	42416Z	42416Z
5B	Roller Link	11344	11344	53	Push On Caps	28X42	28X42
6	Pinion Guard	42490	42490	54	Spring	166X20	166X20
7	Screw	26X185	26X185	55	Lower Handle	43189C	43189C
8	Hex Bolt	1X38	1X38	56	U-Bolt	42896Z	42896Z
9	Shoulder Bolt	9X17	9X17	57	Keps Nut	15X66	15X66
10	Drive Arm Mounting Bracket L.H.	42481Z	42481Z	60	Hex Bolt	1X38	1X38
11	Drive Arm Mounting Bracket R.H.	42482Z	42482Z	61	Rear Guard	70069	70069
12	Drive Arm R.H.	42484Z	42484Z	62	Flange Locknut	15X89	15X89
13	Drive Arm L.H.	42483Z	42483Z	63	Grip-Door Lever	42281	42281
14	Bearing Retainer Bracket	42485Z	42485Z	64	Insert Ass'y	42853	42853
15	Bearing	20048	20048	65	Torsion Spring	166X21	166X21
16	Washer	17X100	17X100	66	Spacer	22941	22941
17	Sprocket & Drive Shaft	42479Z	42479Z	67	Washer	10851Z	10851Z
18	Keps Nut	15X76	15X76	68	Door Spring Tube	42412Z	42412Z
19	Hex Bolt	1X45	1X45	69	Hex Bolt	1X87	1X87
20	Shoulder Bolt	9X1	9X1	71	Rear Plate	43187	43187
21	Drive Pinion	20066	20066	73	Door Lock Spring	42413	42413
22	Spring Pin	32X64	32X64	74	Spacer	42420Z	42420Z
23	Flange Locknut	15X84	15X84	75	Screw	25X2	25X2
24	Retainer Ring	11X8	11X8	76	Rope Stop	42189	42189
25	Spring	166X14	166X14	78	Bag Frame Ass'y	42433	42872
26	Spring	166X15	166X15	79	Upper Support Tube	42432	---
27	Tie Rod & Pulley Bracket	42476	42476	80	Bag Mesh	42430	---
28	Wheel Connect Lever	42486Z	42486Z	80a	Grass Catcher, Top Half	---	42933
29	Flange Locknut	15X88	15X88	80b	Grass Catcher, Bottom Half	---	42934
30	Shoulder Bolt	9X8	9X8	80d	Clip	---	192X1
31	Spring Pin	32X70	32X70	80e	Baffle	---	42935
32	Tapping Screw	26X195	26X195	80f	Panel Fastener	---	193X1
33	Bracket & Pulley Ass'y	22973	22973	80g	Screw	---	4X21
34	Housing Ass'y	70060 70093	70060	80h	Hex Nut	---	15X102
35	Handle Mounting Brk. RH	43192	43192	81	Complete Cloth Bag Includes 78-79-80	407081	---
35A	Handle Mounting Brk. LH	43193	43193	82	Complete Hard Catcher Includes 80a-b,c,d,e,f,g,h.	---	407079
36	Carriage Bolt	---	---	85	Door & Lever Ass'y	407080	407080
37	Flange Locknut	15X79Z	15X79Z	86	Washer	17X124	17X124
38	Height Adj. Assembly See Page 38	---	---	87	Spring-Cable	165X8	165X8
40	Washer	17X102Z	17X102Z	88	Hub Cap	20107	22115
42	Flange Hex Nut	15X68Z	15X68Z	89	Instruction Book Parts Bag (Hard Bag Catcher)	F-7887 43083 ---	F-7887 43084 42952
43	Wheel & Tire	20105	22125				
44	Flange Locknut	15X82	15X82				
45	Engine Mount Bolt	20103	20103				

Model 6-21951, 6-21961

Handle Parts List



HANDLE PARTS LIST

MODEL NO. 6-21951, 6-21961

KEY NO.	DESCRIPTION	21951	21961
1	Upper Handle	42428C	42428C
2	Lower Handle	43189C	43189C
3	Bolt for Wingnut	6X73Z	6X73Z
6	Wing Nut	14X83Z	14X83Z
8	Cable Retainer, Metal	42950	42950
9	Throttle Control, Lever	42879	42879
10	Bolt	3X105	3X105
11	Keps Nut	15X66	15X66
13	Engine Stop Lever	42561C	42561C
15	Screw	26X220	26X220
17	Engine Stop Cable	42941	42941
20	Drive Control Ass'y	42752	42752
	Drive Control	404070	404070
	Cable Only	404069	404069
21	Bolt	3X147	3X147
22	Nut	15X71	15X71
23	Throttle Control Screw	26X237	26X237
24	Clamp	42061	42061
25	Stop Cable Screw	26X234	26X234

6-21951A

SUB

42305PA
 42948
 26x181
 20073
 F-6289

PART NAME

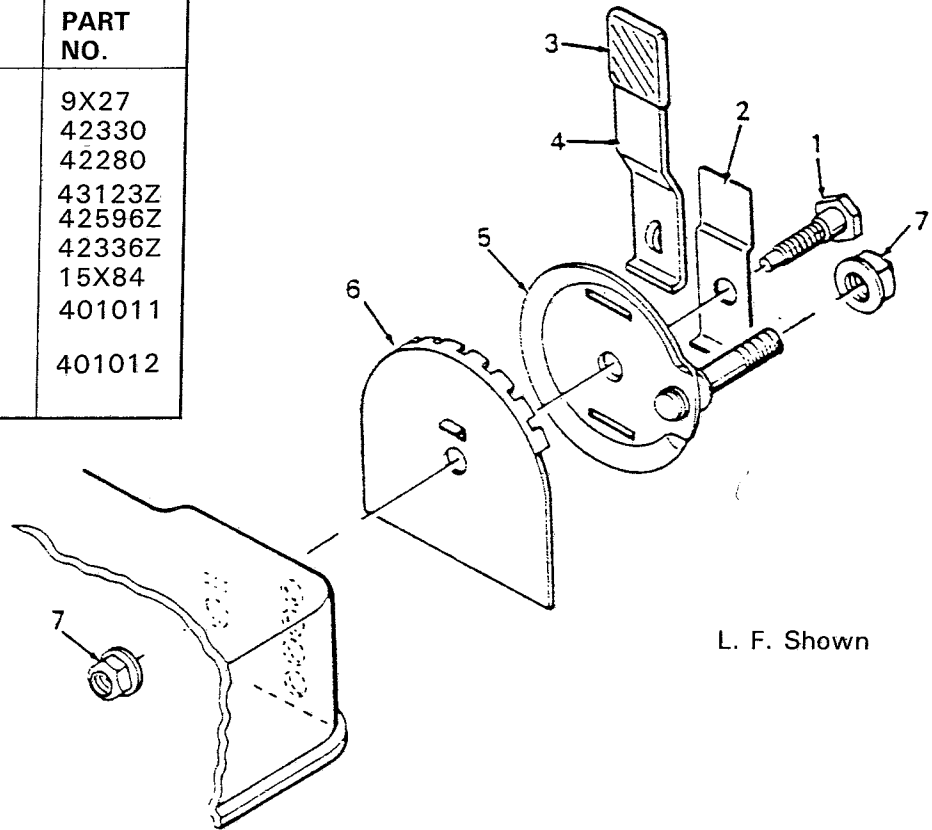
Engine
 Control
 Screw
 Clamp
Instruction

STANDARD

42986
 42879
 26x237
 42061
 F-7065

Wheel Adjuster Assembly For 6-22551, 6-22583, 6-22251, 6-22261, 6-22271 & 6-Specials of These Murray Models

KEY NO.	DESCRIPTION	PART NO.
1	Shoulder Bolt	9X27
2	Spring	42330
3	Grip	42280
4	Adjuster Lever	43123Z
5	Wheel Adjuster Bracket	42596Z
6	Index Plate	42336Z
7	Flange Nut	15X84
1-7	Wheel Adjuster Assembly Right Front or Left Rear	401011
1-7	Wheel Adjuster Assembly Left Front or Right Rear	401012



Wheel Adjuster Assembly For 6-21951, 6-21961 & 6-Specials Of These Murray Models

KEY NO.	DESCRIPTION	PART NO.
1	Adjuster Lever, Rear Bagger	42757
2	Shoulder Bolt	9X26
3	Hex Nut	15X84
4	Washer	17X102Z
5	Grip	20065
6	Hex Bolt	1X85
7	Index Plate-LF,RR	42753Z
	Index Plate-RF,LR	42754Z
8	Hex Nut	15X97
9	Flange Nut	15X68Z
1-9	Height Adj. Ass'y, Rear Bagger (For right front or left rear)	400275
1-9	Height Adj. Ass'y, Rear Bagger (For left front or right rear)	400276

