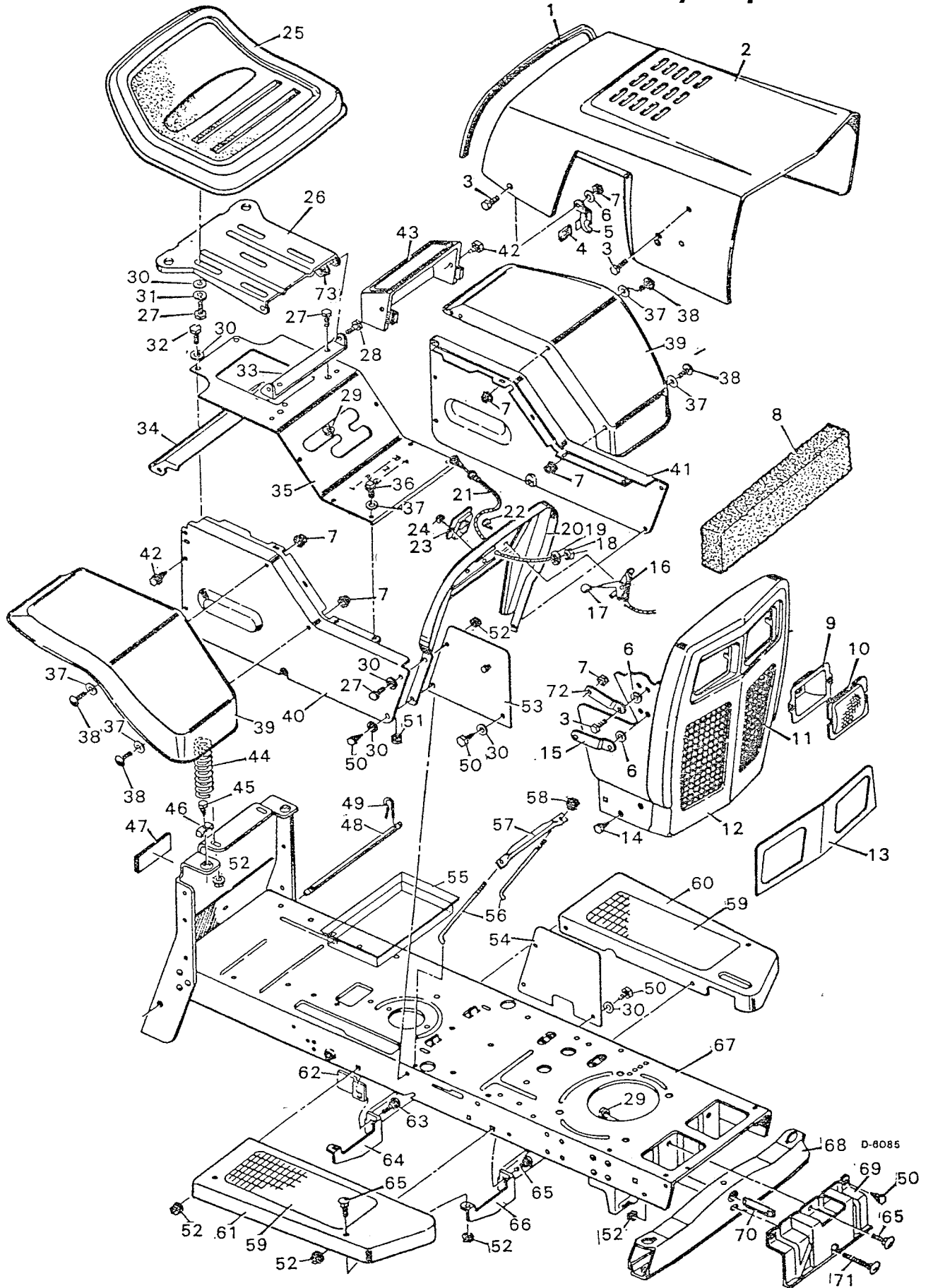


5-39004

Body Replacement Part



## Body Replacement Parts

5-39004

KEY NO.	DESCRIPTION	PART NO.	KEY NO.	DESCRIPTION	PART NO.
1	Edge Trim, Hood*	21765	36	Hex Bolt 1/4" 20X5/8"	1X38
2	Hood Assembly	24087	37	Washer	17X37Z
3	Machine Screw No. 10 24X5/8"*	4X21Z	38	Machine Screw No. 24X3/4"	4X67
4	Grip, Hood Latch*	21434	39	Fender	23006
5	Right Hood Latch*	21798Z	40	Right Side Panel	90660
	Left Hood Latch*	21799Z	41	Left Side Panel	90661
6	Washer*	17X17Z	42	Screw	26X214
7	Hex Nut. No. 10 24*	15X81	43	Battery Cover	407310
8	Heat Baffle, Foam	403154	44	Seat Spring	164X13
9	Reflector, Headlight	90009C	45	Screw	26X49
10	Lens	90082	46	Spring Retainer	90014
11	Left Grille Screen	24254E	47	Reflector, Rear	23069
	Right Grille Screen	24089E	48	Drawbar	23054
12	Grille Assembly	90668	49	Hair Pin	31X1
13	Headlight Trim	90654C	50	Screw	26X197
14	Screw	26X202	51	Keps Nut 1/4" 20	15X66
15	Pivot Bar*	23046	52	Flange Nut 5/16" 18	15X79Z
16	Throttle Control	23844PA	53	Right Side Plate	24344
17	Knob, Throttle Control	20339	54	Left Side Plate	23293
18	Hex Nut 3/8" 24	15X33	55	Battery Tray	24157
19	Lockwasher	18X31	56	Battery Clamp Rod	21762Z
20	Control Panel	24457	57	Battery Clamp	21761
21	Choke Cable	23780	58	Flange Locknut 1/4" 20	15X82
22	Screw	26X159	59	Mat, Running Board	21710
23	Bearing, Steering Post	21707	60	Left Running Board	23823
24	Screw	26X186	61	Right Running Board	23822
25	Seat	90421	62	Wiring Shield	24321
26	Seat Support	90032	63	Carriage Bolt 5/16" 18X3/4"	2X64
27	Hex Bolt 5/16" 18X5/8"	1X45	64	Running Board Support Assembly	24253
28	Shoulder Bolt 3/8" 16X7/8"	9X15	65	Carriage Bolt 5/16" 18X5/8"	2X53
29	Flange Locknut 5/16" 18	15X88	66	Running Board Support	24105
30	Washer	17X47Z	67	Frame Channel	402054
31	Lockwasher	18X16	68	Front Axle Assembly	21441
32	Hex Bolt 5/16"-18X3/4	1X91	69	Axle Hanger Assembly	23845
33	Pivot Bracket, Seat	90663	70	Pivot Pin	21469
34	Rear Insert	23026	71	Carriage Bolt 3/8" 16X3"	2X60
35	Top Panel	90662	72	Pivot Bar Assembly*	23088
			73	Flange Locknut 3/8"-16	15X84
				Parts Bag GT & YT	24496
				Instruction Book 42"	F-7397
				Parts List GT & YT	F-7396
				Parts Bag 42" Mower Deck	24494

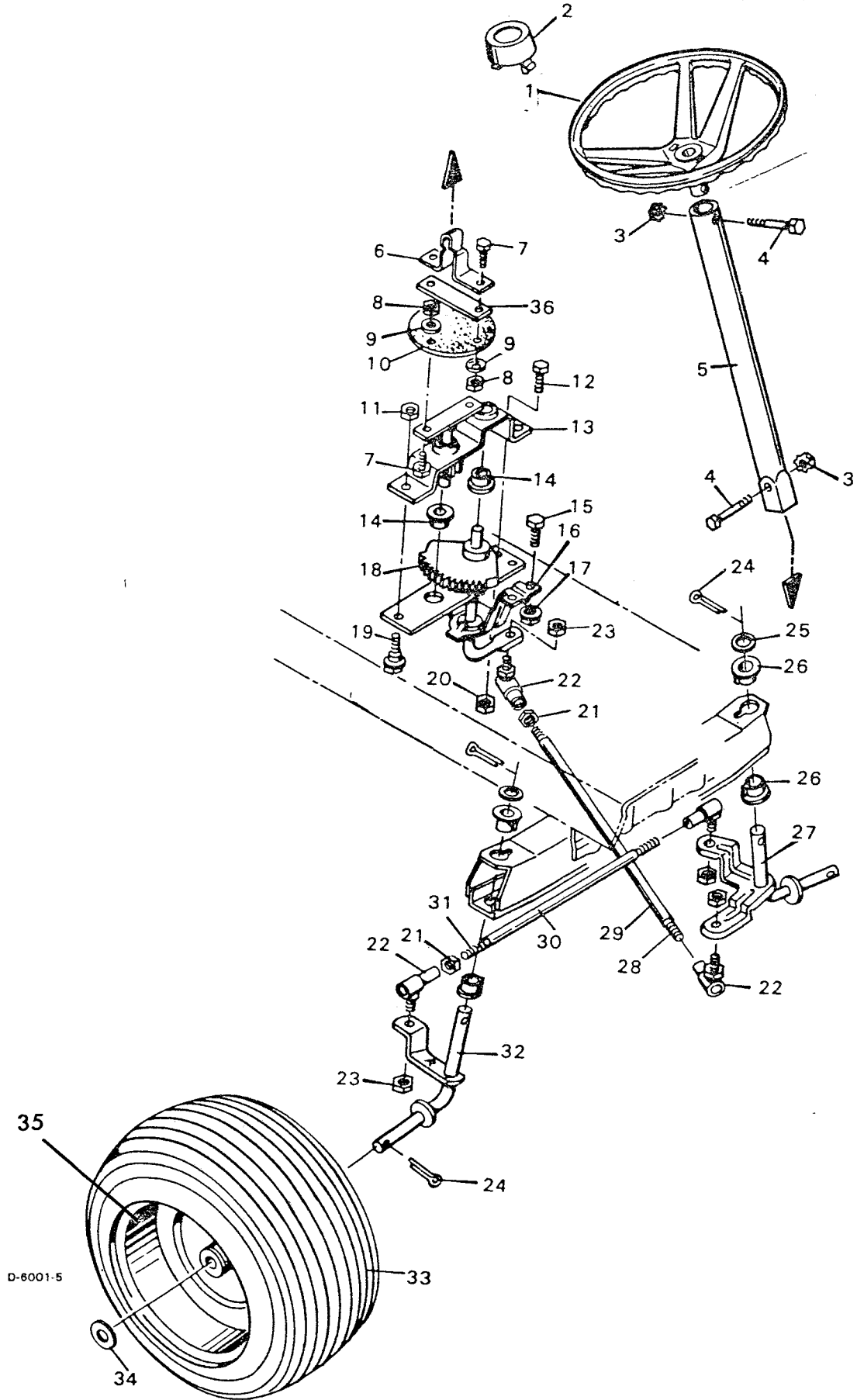
NOTE: Parts shown with an, (\*) in the description are included when ordering key number 2.

Instruction Book

F-7395

5-39004

# Steering Replacement Parts



## Steering Replacement Parts

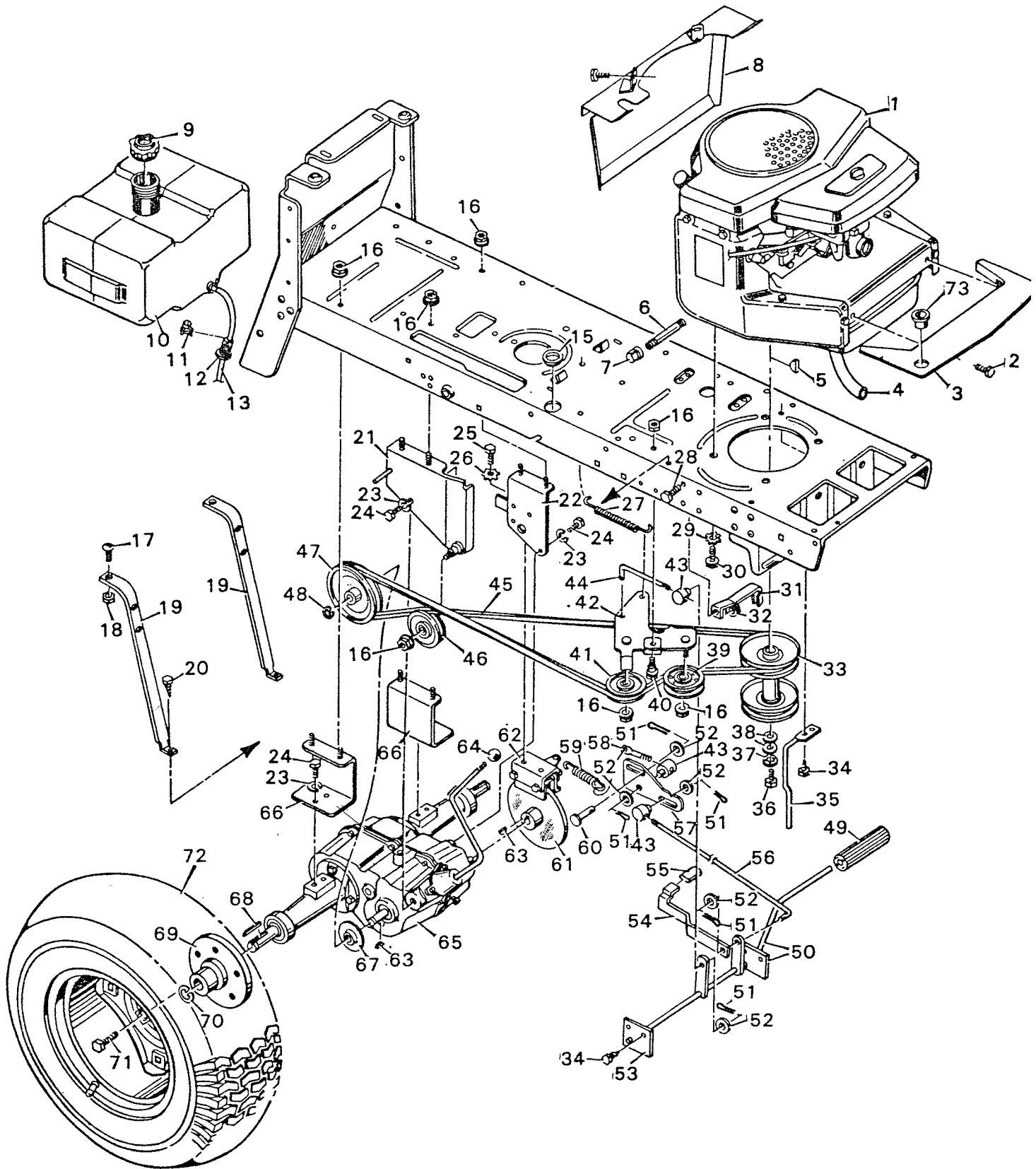
5-39004

KEY NO.	DESCRIPTION	PART NO.
1	Steering Wheel	24495
2	Cap, Steering Wheel	55367
3	Keps Nut 5/16" 18	15X76
4	Hex Bolt 5/16" 18X1 3/4"	1X75
5	Steering Post	24345C
6	Upper Steering Coupling	21489
7	Hex Bolt 1/4" 20X7/8"	1X95
8	Locknut 1/4" 20	15X67
9	Formed Washer	23039
10	Steering Disc	21532
11	Flange Locknut 3/8" 16	15X84
12	Hex Bolt 5/16" 18X5/8"	1X45
13	Steering Gear Bracket Assembly	21492
14	Bearing	20587
15	Hex Bolt 5/16" 18X5/8"	1X45
16	Steering Bracket	21693
17	Flange Locknut 5/16" 18	15X79
18	Steering Gear Assembly	21692
19	Shoulder Bolt	9X12
20	Flange Locknut 5/16" 18	15X88
21	Hex Nut	15X61
22	Steering Ball Joint	21031
23	Flange Locknut 3/8" 24	15X87
24	Cotter Pin	30X49
25	Washer	17X83Z
26	Spindle Bearing	23820
27	Left Spindle Assembly	23149
28	Drag Link Rod	21482
29	Sleeve, Drag Link Rod	156X2
30	Sleeve, Tie Rod	156X1
31	Tie Rod	21475
32	Right Spindle Assembly	23148
33	Tire (Only)	24410
34	Washer	17X83Z
35	Wheel (Only)	24413E
*	Valve Stem and Cap	24373
*	Wheel Bearing	55599
*	Tire Tube	407048
36	Coupling Plate	21490

\*NOTE: For replacement parts, always give the name on the side of the tire so that the tire tread pattern will be the same.

5-39004

Drive Replacement Par



## Drive Replacement Parts

5-39004

KEY NO.	DESCRIPTION	PART NO.	KEY NO.	DESCRIPTION	PART NO.
1	Engine***	----	41	Idler Pulley, Clutch	20613
2	Screw	26X214	42	Idler Bracket Assembly	24250
3	Heat Baffle, Front	23869E	43	Adjustable Nut	21920
4	Exhaust Pipe Assembly	23743E	44	Clutch Rod	21918Z
5	Woodruff Key Number 6	20062	45	Drive Belt	37X26
6	Oil Drain Extension	23783	46	Backside Idler Pulley	23238
7	Oil Drain Cap	21651	47	Drive Pulley	23052
8	Heat Baffle, Rear (18 HP Only)	24440	48	Retainer Ring	11X5
9	Fuel Cap	23787	49	Pedal, Clutch and Brake	21544
10	Fuel Tank, Complete	23881	50	Lever Assembly, Clutch and Brake	24251
11	Hose Clamp	23713	51	Cotter Pin	30X20
12	Fuel Filter	24159	52	Washer	17X53Z
13	Fuel Line, 34 Inch	23714	53	Support Bracket	23358
15	Grommet	21268	54	Parking Brake Arm	24245Z
16	Flange Locknut 3/8" 16	15X84	55	Grip, Parking Brake	24235
17	Carriage Bolt 1/4" 20X3/4"	2X67	56	Brake Rod	23728Z
18	Flange Locknut 1/4" 20	15X89	57	Link Plate, Brake	24432
19	Fuel Tank Support	24331	58	Adjuster Rod	23735Z
20	Screw	26X197	59	Spring, Brake	165X41
21	Right Front Transaxle Bracket	24244	60	Clevis Pin	23721
22	Left Front Transaxle Bracket	23023	61	Disc and Hub Assembly	23013
23	Lockwasher	18X31	62	Disc Brake Unit	23019
24	Hex Bolt 3/8" 16X3/4"	1X85	63	Woodruff Key Number 9	20697
25	Hex Bolt 5/16" 24X5/8"	1X63	64	Knob Shift Lever	20844
26	Star Washer	19X6	65	Transaxle	**
27	Spring, Drive Idler	165X22	66	Rear Transaxle Bracket	23005
28	Hex Bolt 1/4" 20X5/8"	1X38	67	Extruded Washer	23041Z
29	Star Washer	19X8	68	Square Key 1/4"	24039
30	Hex Bolt, Engine Mount	20103	69	Wheel Hub	23020
31	Belt Guide	23826Z	70	Retainer Ring	11X6
32	Keps Nut 1/4" 20	15X66	71	Hex Bolt 7/16" 20X1"	1X80
33	Stack Pulley Assembly	23725Z	72	Rear Wheel and Tire Assembly	
34	Screw	26X49		Size: 23X8 1/2 12	23320
35	Belt Guide, Stack Pulley	23789Z		Size: 23X9 1/2 12	24400
36	Hex Bolt 3/8" 24X1"	1X20	*	Tire Only: For 23X8 1/2 12	407228
37	Internal Tooth Lockwasher	19X39	*	Tire Only: For 23X9 1/2 12	407920
38	Washer	10851Z	*	Tube Only 23X8 1/2	407051
39	Idler Pulley	21409	*	Tube Only 23X9 1/2	407052
40	Shoulder Bolt	9X12	*	Wheel Only	407226
			*	Valve Stem and Cap	400162
			73	Bushing	23857

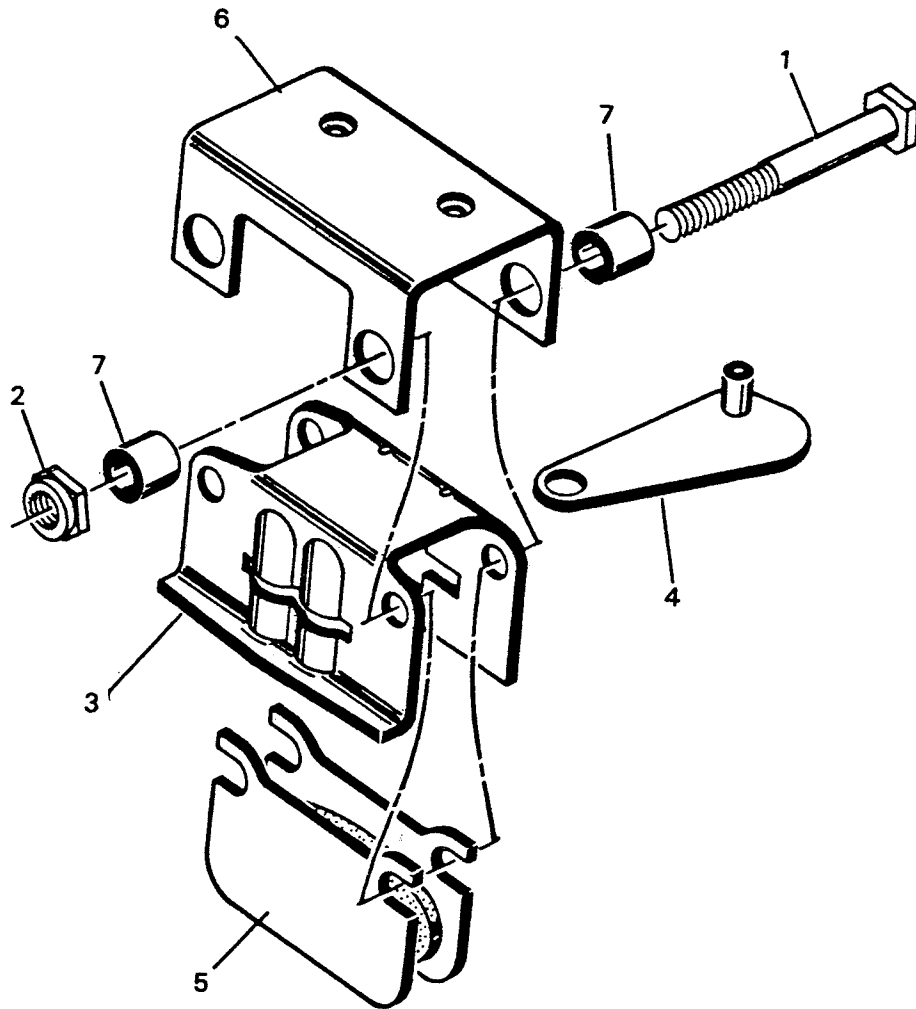
NOTE: These parts, shown with an (\*), are included when ordering key number 72. For replacement parts, always give the name on the side of the tire so that the tire tread pattern will be the same.

\*\*NOTE: Replacement parts for the transmission are available from a Tecumseh Authorized Service Center. See the yellow pages under, "Engines, Gasoline" or "Gasoline Engines" in the telephone directory.

\*\*\*NOTE: The engine model, type, and code numbers are on the engine. All parts to the engine are available from a Briggs and Stratton Authorized Service Center. See the yellow pages under "Engines, Gasoline" or "Gasoline Engines" in the telephone directory.

5-39004

Disc Brake Replacement Parts

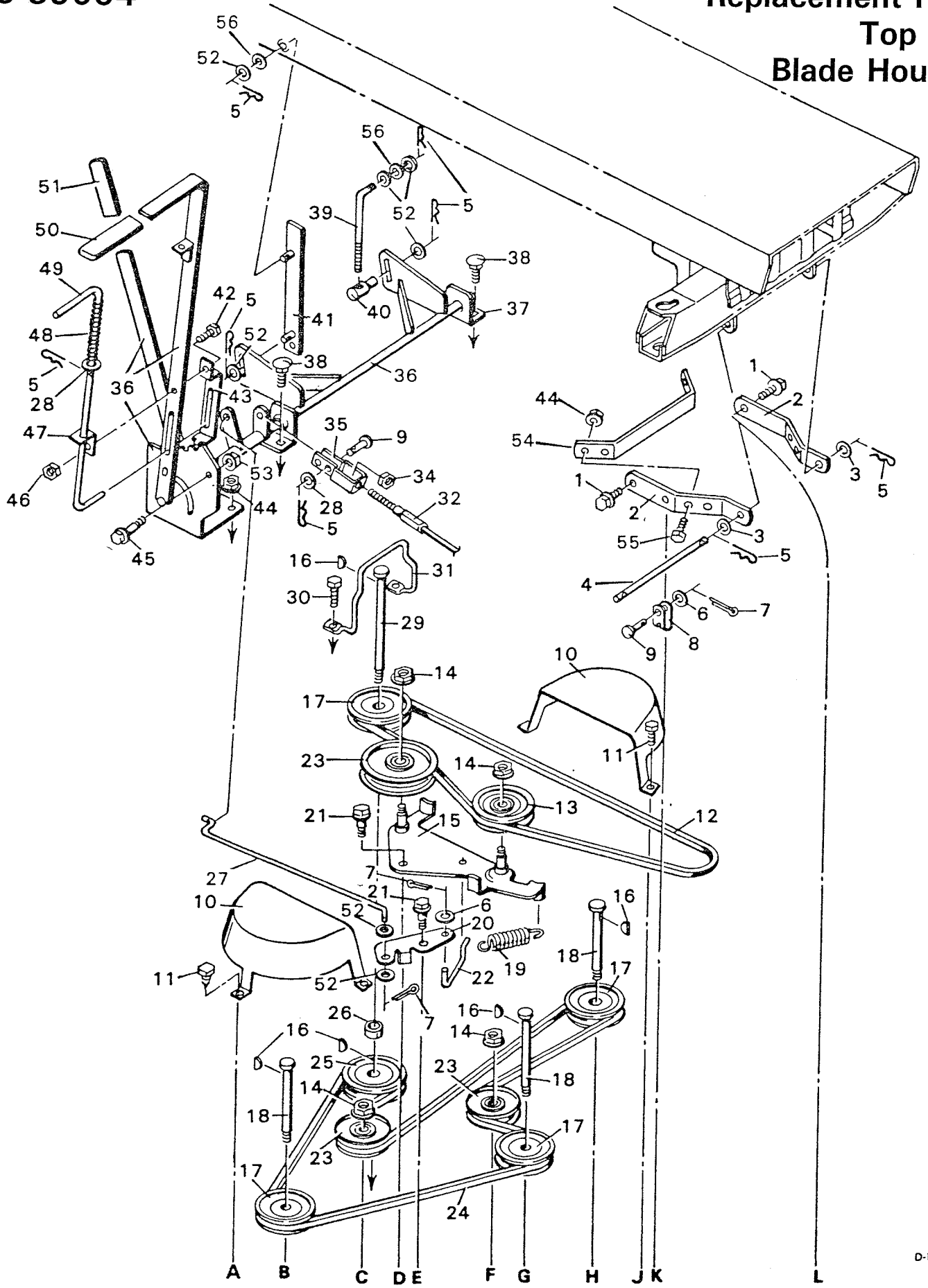


D-5226

KEY NO.	DESCRIPTION	PART NO.
1	Hex Bolt	402001
2	Locknut	402002
3	Bracket	402003
4	Lever Assembly	402004
5	Stator Assembly	402008
6	Bracket	402006
7	Spacer	402007
	Complete Disc Brake Keys 1 to 7	23019

5-39004

# Replacement Part Top Ha Blade Housin





# Replacement Parts

## Top Half

### Blade Housing

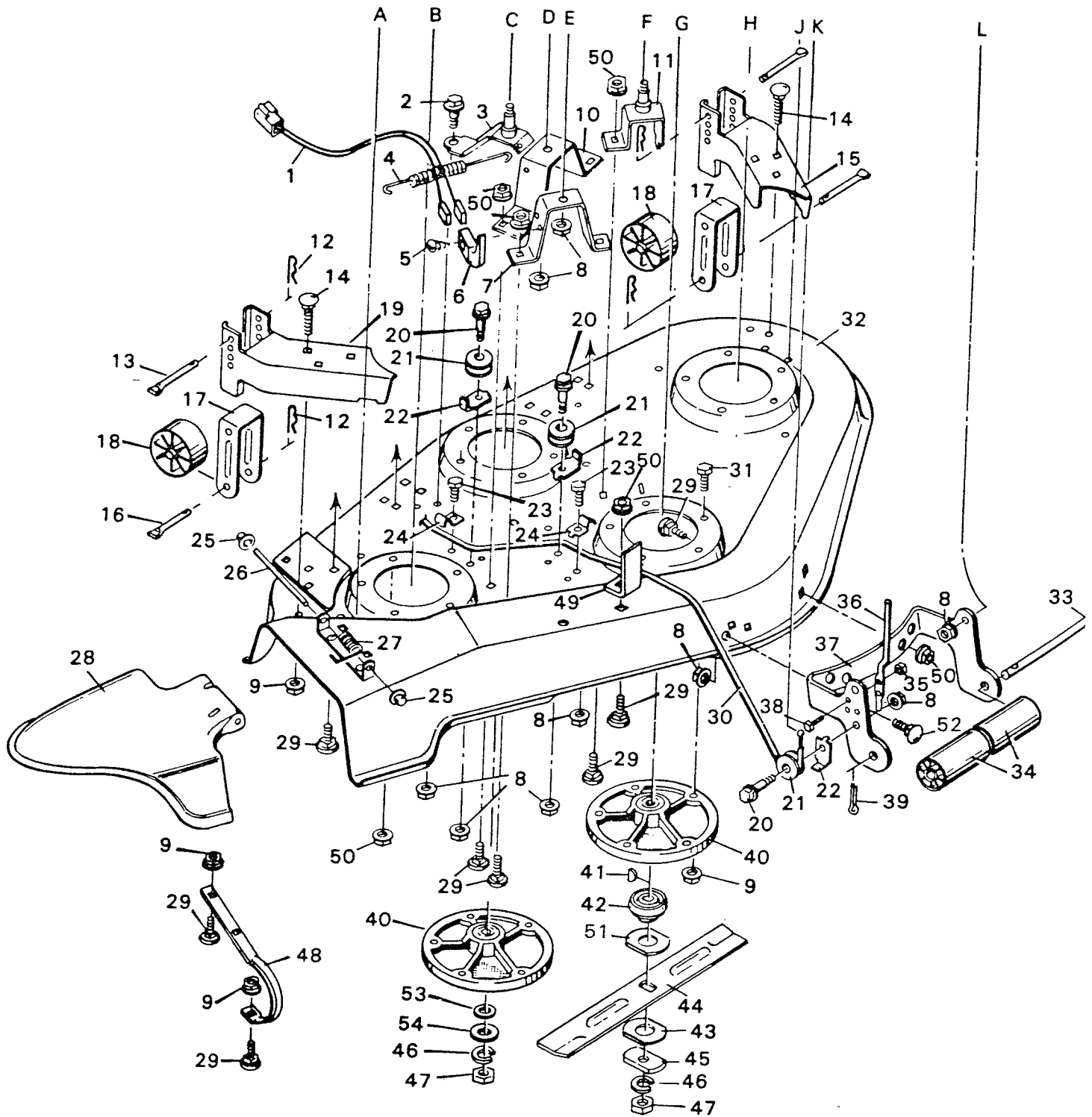
5-39004

KEY NO.	DESCRIPTION	PART NO.	KEY NO.	DESCRIPTION	PART NO.
1	Shoulder Bolt	9X14	31	Belt Guide	23751Z
2	Support Arm	23185	32	Lifter Cable	24470
3	Washer	17X57Z	34	Hex Nut 5/16" 18	15X2
4	Pull Pin	21912Z	35	Adjusting Clevis	24471Z
5	Hair Pin	20692	36	Lifter Assembly†	24260
6	Washer	17X47Z	37	Lifter Support†	23184
7	Cotter Pin	30X20	38	Carriage Bolt 5/16" 18X3/4" †	2X53
8	Clevis	24073Z	39	Adjuster Rod, 7 5/16" Long	23824Z
9	Clevis Pin	29X93		For 23" Diameter Rear Wheels	
10	Pulley Cover	23231	39A	Adjuster Rod, 6 1/4" Long	23275Z
11	Screw	26X214		For 20" Diameter Rear Wheels	
12	Belt, Blade Drive For 16hp & 18hp	37X40	40	Adjustable Nut	21920
13	Idler Pulley	23211	41	Right Hanger Bracket, 6 3/8" Long	23204Z
14	Flange Locknut 3/8"-16	15X84		For 23" Diameter Rear Wheels	
15	Blade Drive Idler Assembly	23179Z	41A	Right Hanger Bracket 5 1/2" Long	23188Z
16	Woodruff Key No. 6	20062		For 20" Diameter Rear Wheels	
17	Jackshaft Pulley	20615	42	Hex Bolt 1/4" 20X7/8"	1X95
18	Jackshaft, Short	20616	43	Guide Bracket	23192Z
19	Spring, Blade Drive	165X43	44	Flange Locknut 5/16" 18†	15X88
20	Engagement Link	23226Z	45	Shoulder Bolt 3/8" 16	9X13
21	Shoulder Bolt 3/8"-16X7/8"	9X12	46	Keps Nut 1/4" 20	15X66
22	Engagement Link Rod	23228Z	47	Guide Bracket	23193Z
23	Idler Pulley, Backside	23238	48	Lifter Spring	164X4
24	Belt, Cross Drive	37X22	49	Lifter Latch	23194Z
25	Jackshaft Pulley	23739	50	Grip, Lifter Latch	23222
26	Spacer	23213Z	51	Grip, Engagement Lever	21249
27	Link Rod	23232Z	52	Washer	17X124
28	Washer	17X53Z	53	Flange Nut 3/8" 16	15X68Z
29	Jackshaft	23180	54	Hanger Brace	24472Z
30	Hex Bolt 5/16" 18X1"	1X84	55	Hex Bolt 5/16" 18X1"	1X84
			56	Washer	10851Z

NOTE: These parts, shown with an (†) in the description, are included with the blade housing. See the Lower Half of the Blade Housing.

5-39004

# Replacement Part Blade Housing Lower Ha



D-5118-4

F-7542

# Replacement Parts

## Blade Housing

### Lower Half

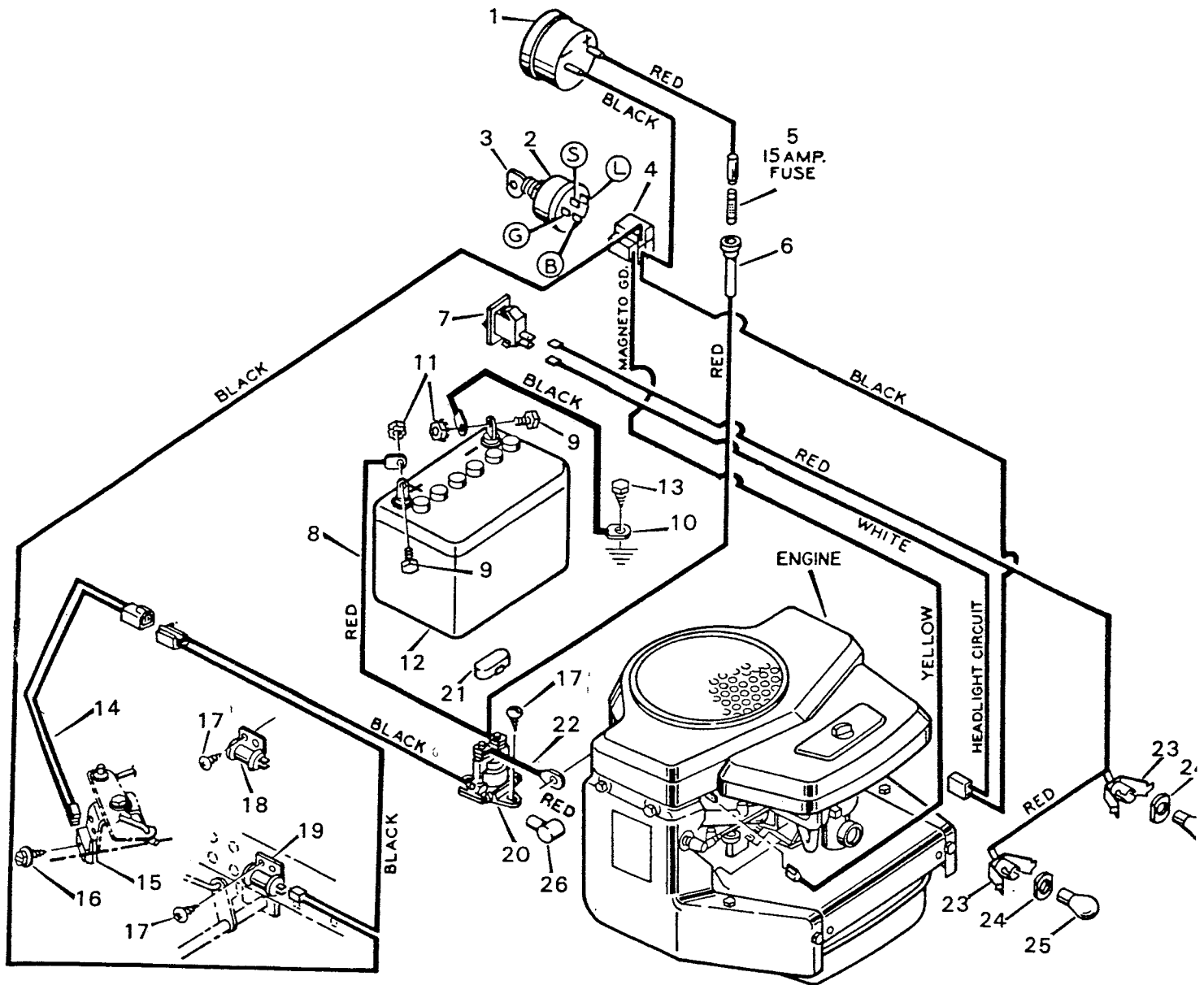
5-39004

KEY NO.	DESCRIPTION	PART NO.	KEY NO.	DESCRIPTION	PART NO.
1	Jumper Wire	23983	31	Hex Bolt 5/16" 18X3/4"	1X84
2	Shoulder Bolt 3/8"-16X7/8"	9X15	32	Blade Housing Assembly; with gauge wheels	24307 24261
3	Cross Drive Idler Assembly	23178Z		Blade Housing Assembly; no gauge wheels	24261
4	Spring, Cross Drive	165X19	33	Roller Axle	23186Z
5	Screw	26X211	34	Roller	23203
6	Limit Switch	24527	35	Flange Locknut 1/4" 20	15X89
7	Engagement Link Support†	23241	36	Belt Guide, Curved	24071Z
8	Flange Locknut 3/8"-16	15X84		Belt Guide Straight	23790Z
9	Flange Locknut 5/16"-18†	15X88	37	Roller Support†	24009
10	Idler Support †	23240	38	Hex Bolt 1/4" 20X7/8"	1X95
11	Fixed Idler Assembly†	23177	39	Cotter Pin	30X49
12	Hair Pin	20692	40	Jackshaft Housing	24384
13	Long Axle, Gauge Wheel	23259Z	41	Woodruff Key, Number 6	20062
14	Carriage Bolt 5/16"-18X2 1/2"†	2X58	42	Blade Adapter	54211
15	Bracket, Left Gauge Wheel†	23279	43	Washer	21673Z
16	Short Axle, Gauge Wheel	23258Z	44	Blade	24458
17	Retainer, Gauge Wheel	23260Z	45	Blade Washer	20663
18	Gauge Wheel	23257	46	Lockwasher	18X27
19	Bracket, Right Gauge Wheel†	23278	47	Hex Nut 1/2" 20	15X72
20	Shoulder Bolt 3/8 16	9X13	48	Skid†	24070
21	Nylon Pulley	23187	49	Deck Stop†	23782
22	Cable Guide	23191Z	50	Flange Nut 5/16" 18†	15X79
23	Screw	26X214	51	Washer	24614Z
24	Cable Guide	21953Z	52	Carriage Bolt 5/16"-18X5/8"†	2X53
25	Push On Cap	28X23	53	Washer	17X140
26	Deflector Rod	23173Z	54	Washer	17X141
27	Torsional Spring	166X4		Blade Housing Complete, Top and Bottom	403134
28	Deflector, Blade Housing	23224			
29	Carriage Bolt 5/16" 18X3/4"†	2X64			
30	Lifter Cable	24470			

NOTE: These parts, shown with an (†) in the description, are included when ordering key number 32.

# 5-39004

# Wiring Diagram Replacement Parts



D-5427-1

## Wiring Diagram Replacement Parts

5-39004

KEY NO.	DESCRIPTION	PART NO.
1	Ammeter Assembly	21057PA
2	Ignition Switch and Key	21064PA
3	Key Only	20729
4	Wiring Harness	24460
*	Wiring Harness Clamp	21980
5	Fuse	23752
6	Fuse Holder	407058
7	Light Switch	90647
8	Battery Cable with Fuse Wire (Red)	24X20
9	Hex Bolt 1/4''-20X5/8	1X38
10	Battery Cable (Black)	24X6
11	Keps Nut 1/4'' 20	15X66
12	Battery 30 AMP Hour	21075
*	Electrolyte (Battery Acid)	90665
*	Battery Caps	400262
13	Screw	26X49
14	Jumper Wire	23983
15	Limit Switch, Blade Housing	24527
16	Screw	26X211
17	Screw	26X233
18	Limit Switch, Frame	23029
19	Limit Switch, Clutch	24273
20	Solenoid	24285
21	Cover, Solenoid	90565
22	Solenoid Wire (Red)	24X16
23	Light Socket Assembly	90155
24	Washer, Light Socket	90228
25	Headlight Bulb	90084
26	Cable Boot (18HP only)	24196

\* These parts are not illustrated.