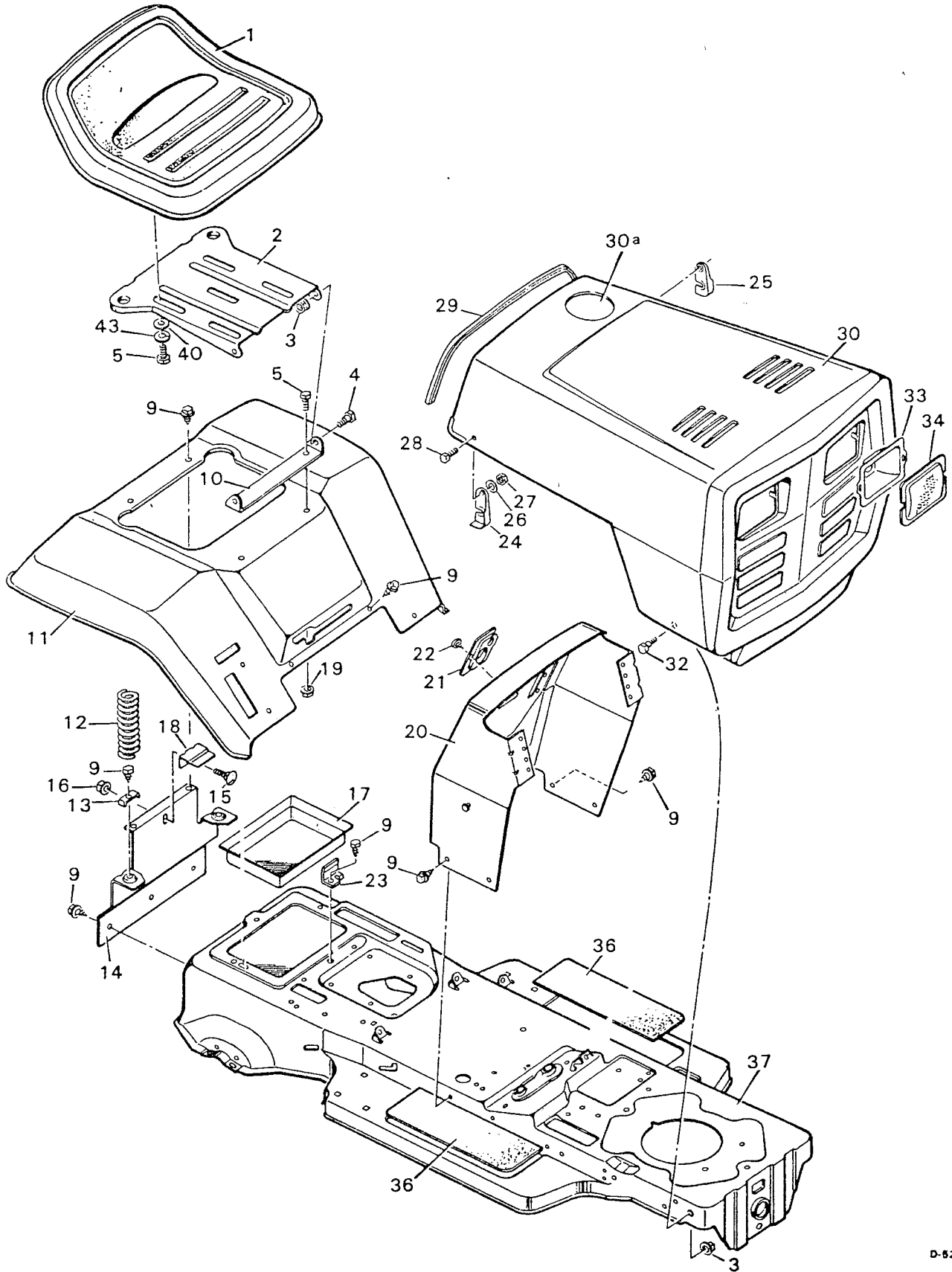


5-36528

Body Parts  
Illustration



D-5284-6

## Replacement Parts

5-36528

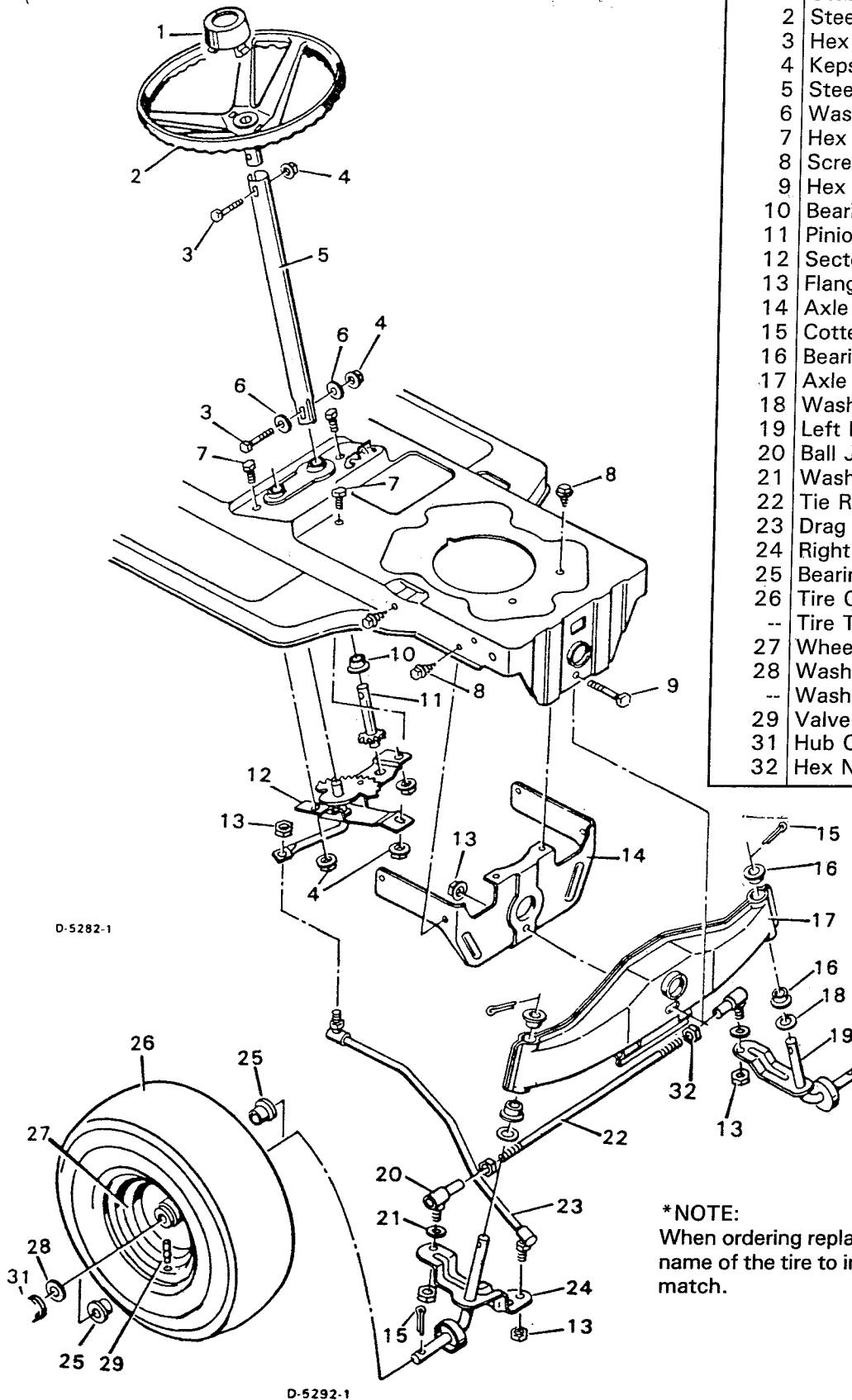
## Body Parts

KEY NO.	DESCRIPTION	PART NO.
1	Seat	90368
2	Seat Support	90032
3	Flange Locknut 3/8"-16	15X84
4	Shoulder Bolt 3/8"-16X7/8"	9X15
5	Hex Bolt 5/16"-18X5/8"	1X45
9	Screw	26X49
10	Seat Pivot Bracket	90031
11	Seat Deck	90186
12	Spring	164X17
13	Spring Retainer	90014
14	Seat Deck Support	90633
15	Carrige Bolt	2X53
16	Keps Nut 5/16" 18	15X76
17	Battery Tray	24157
18	Battery Clamp	90632Z
19	Flange Locknut 5/16"-18	15X88
20	Dashboard Assembly	90737
21	Bearing-Steering Post	90081
22	Screw	26X186
23	Battery Clip	55149
24	Right Hood Latch*	90464Z
25	Left Hood Latch*	90465Z
26	Washer*	17X17Z
27	Hex Nut No. 10-24*	15X81
28	Machine Screw No. 10-24X1/2"*	4X20Z
29	Edge Trim*	90240
30	Hood & Grille Assembly-Complete No Hole	90469
30a	Hood & Grille Assembly-Complete With Hole	90468
32	Shoulder Bolt 3/8"-16X7/8"	9X14
33	Reflector, Headlight	90009C
34	Lens, Headlight	90082
36	Mat - Foot Rest	90148
37	Frame Channel	90000
40	Washer	17X47Z
43	Lock Washer	18X16
	Parts Bag	90723
	Instruction Book	F-7382
	Parts List	F-7383

\*NOTE: These numbers are included in with key no. 30

5-36528

Steering Replacement Parts

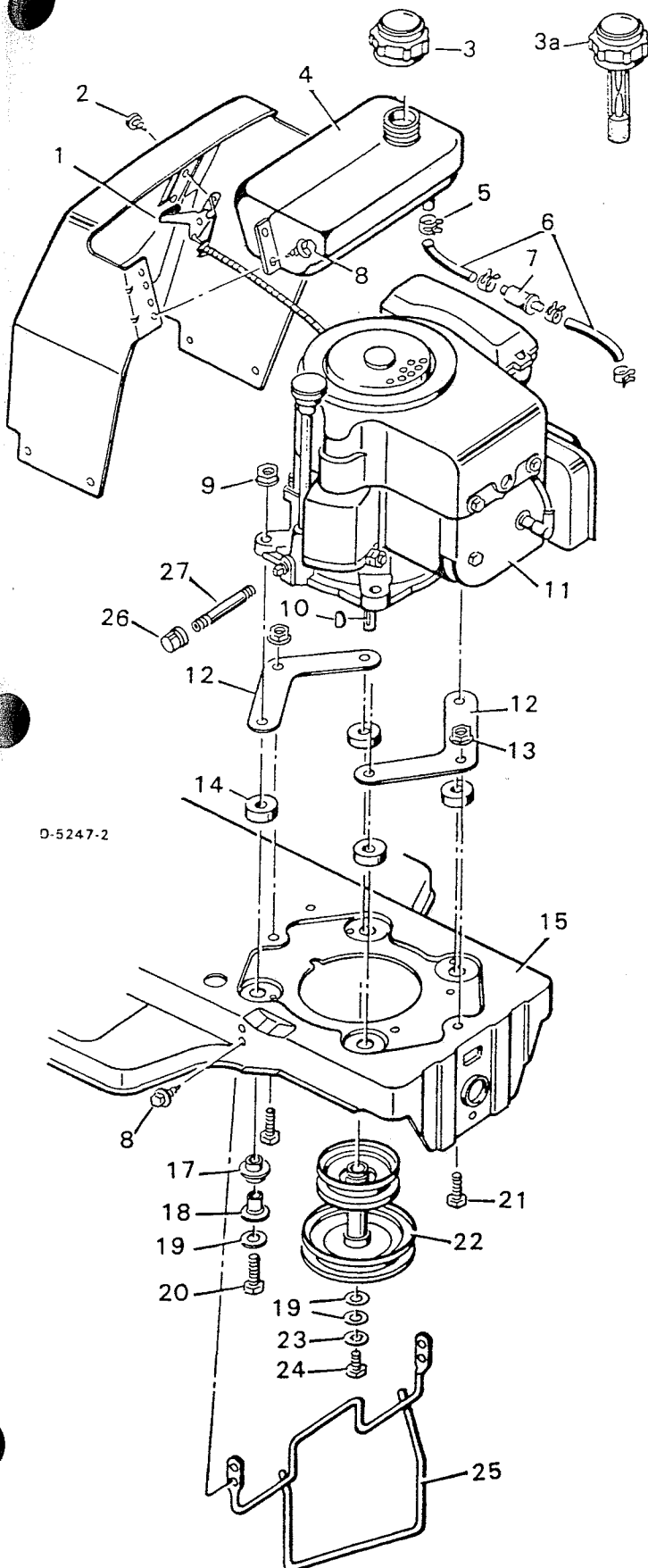


KEY NO.	DESCRIPTION	PART NO.
1	Steering Wheel Cap	55367
2	Steering Wheel	55368
3	Hex Bolt 5/16"-18X1 1/2"	1X102
4	Keys Nut	15X88
5	Steering Post	90130C
6	Washer 17X47Z	17X47Z
7	Hex Bolt 5/16"-18X5/8"	1X45
8	Screw	26X49
9	Hex Bolt 3/8"-24x3 1/4"	1x101
10	Bearing	90035
11	Pinion Gear & Shaft	90132
12	Sector Gear Assembly	90025
13	Flange Locknut 3/8"-24	15X87
14	Axle Support-Front	90002
15	Cotter Pin	30X49
16	Bearing	90035
17	Axle Assembly	90034
18	Washer	17X113
19	Left Hand Spindle Assembly	90037
20	Ball Joint	21031
21	Washer	17X124
22	Tie Rod	21475
23	Drag Link Assembly	90041
24	Right Hand Spindle Assembly	90036
25	Bearing*	55599
26	Tire Only*	24376
--	Tire Tube*	407047
27	Wheel Only*	24488E
28	Washer-Hub Caps Only	17X115
--	Washer-Without Hub Caps	17X83Z
29	Valve Stem & Cap	24373
31	Hub Cap-Optional	21662
32	Hex Nut 3/8"-24	15X61

**\*NOTE:**  
When ordering replacement parts specify the brand name of the tire to insure that tread patterns on tire match.

# Engine Mount Replacement Parts

5-36528



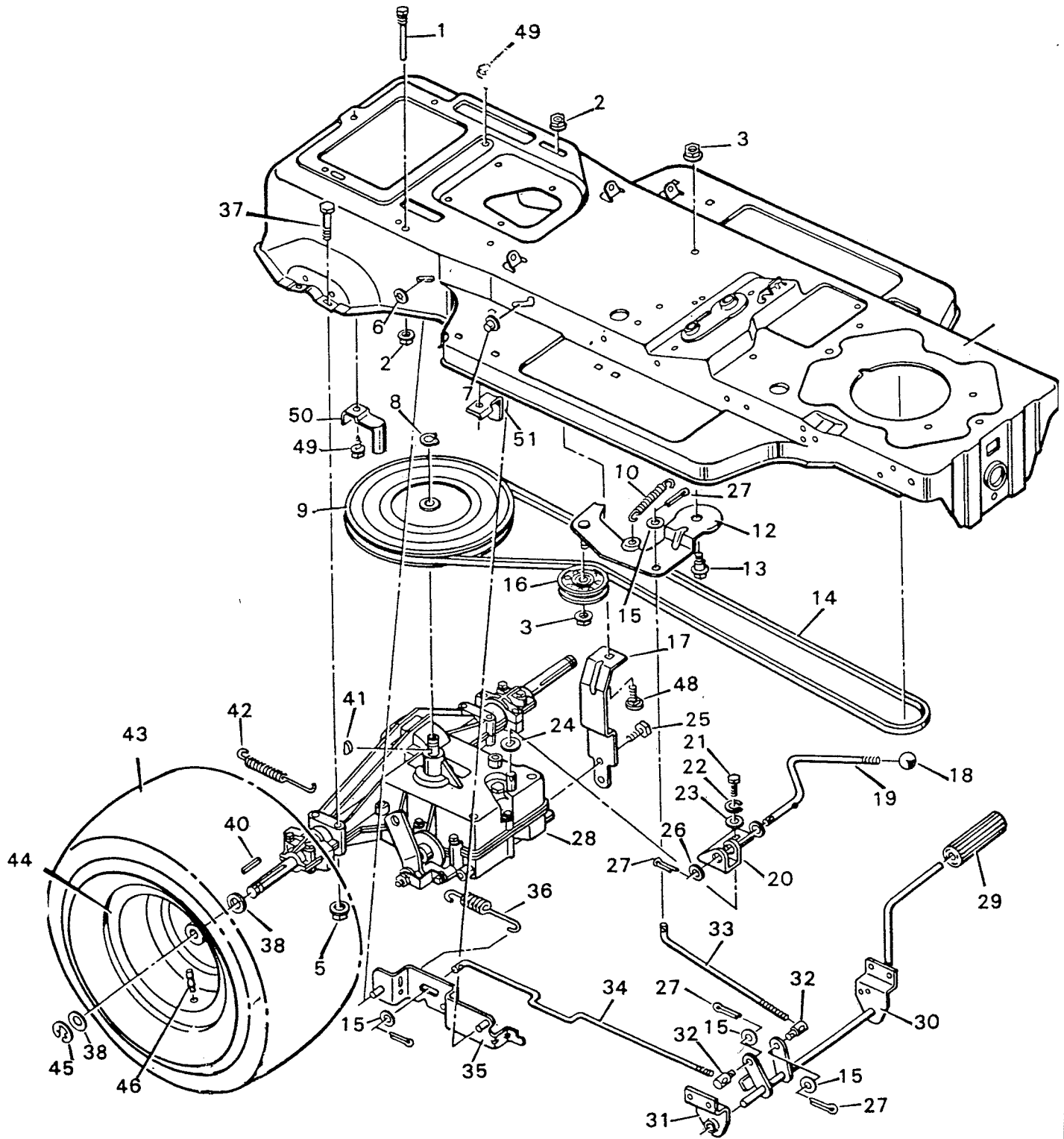
KEY NO.	DESCRIPTION	PART NO.
1	Throttle Control & Cable	90728
2	Tapping Screw	26X159
3	Fuel Cap	23711
3a	Fuel Cap With Gauge	24064
4	Fuel Tank	23300
5	Hose Clamp	23713
6	Fuel Line	90671
7	Filter	24159
8	Tapping Screw	26X214
9	Hex Nut 5/16''-24	15X90Z
10	Woodruff Key No. 6	20062
11	Engine†	----
12	Strap	90023Z
13	Flange Locknut 5/16''-18	15X88
14	Rubber Load Mount	24589
15	Frame Channel	90000
17	Rubber Rebound Mount	24590
18	Spacer Tube	24591
19	Washer	10851Z
20	Hex Bolt-Engine Mount 5/16''-24X2 1/2''	1X107
21	Hex Bolt 5/16''-18X5/8''	1X45
22	Stack Pulley Assembly	90329Z
23	Shakeproof Washer	19X39
24	Hex Bolt 3/8''-24X1''	1X20
25	Belt Guide Assembly	90276Z
26	Pipe Cap	21651
27	Oil Drain Pipe	24066

†NOTE: Your Engine Model, Type & Code Number is stamped on the Blower Housing. All parts pertaining to the engine are available from the Tecumseh Parts and Services Station listed in the yellow pages of the classified Telephone Directory.

D-5247-2

5-36528

Drive Part Illustration



D-5423-1

## Replacement Parts

5-36528

## Drive Parts

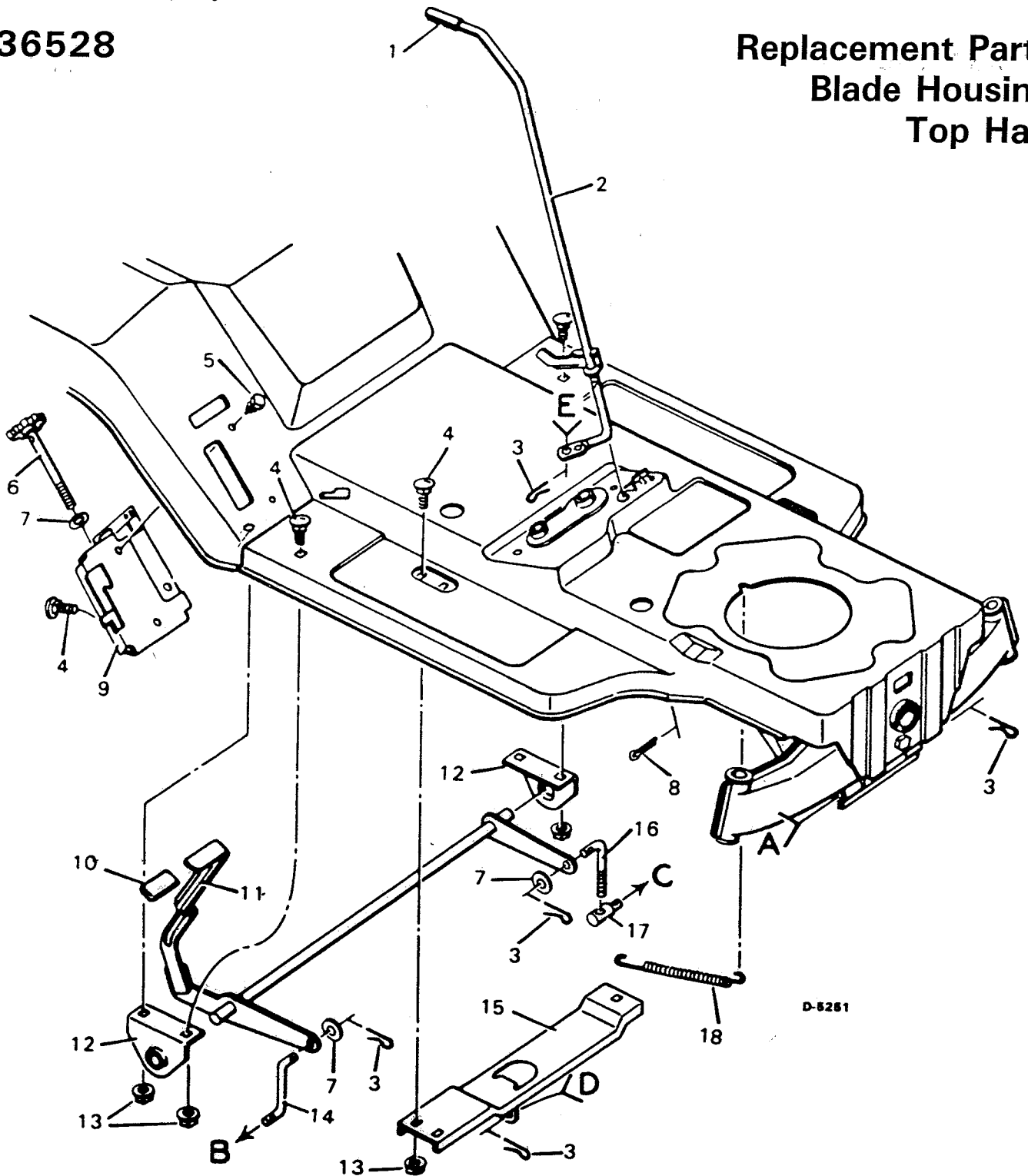
KEY NO.	DESCRIPTION	PART NO.
1	Bolt, Belt Guide	20619
2	Flange Nut 5/16"-18	15X79Z
3	Flange Locknut 3/8"-18	15X84
4	Frame Channel	90000
5	Flange Locknut 5/16"-18	15X88
6	Push Nut	28X44
7	Cap Retainer, Parking Brake	28X48
8	Retainer Ring	11X7
9	Drive Pulley	90190
10	Extension Spring	165X31
12	Idler Bracket Assembly	90011Z
13	Shoulder Bolt 3/8"-16X7/8"	9X12
14	Drive, Belt	37X45
15	Washer	17X53Z
16	Idler Pulley	21409
17	Transaxle Support	9073Z
18	Knob-Shift Lever	20739
19	Shift Lever	90670Z
20	Shifter Yoke	90669Z
21	Hex Bolt 1/4"-28X1/2"	1X82
22	Lockwasher	18X32
23	Washer	17X32Z
24	Washer	17X134
25	Screw	26X207
26	Washer	17X102Z
27	Cotter Pin	30X20
28	Transaxle† (Peerless Model No. 900-02A)	----
29	Clutch and Brake Pedal	21544
30	Lever Assembly	90027
31	Support Bracket	90013
32	Adjustable Nut	21920
33	Clutch Rod	90066Z
34	Brake Rod	90067Z
35	Brake Link Assembly	90068Z
36	Brake Spring	165X47
37	Hex Bolt 5/16"-18X1 7/8"	1X98
38	Transaxle Washer	21521
40	Square Key 3/16"X2"	21553
41	Woodruff Key No. 9	20697
42	Spring, Brake Return	165X34
43	Tire Only*	24375
--	Tire Tube*	407049
44	Wheel Only*	24351E
45	E-Ring	11X3
46	Valve Stem and Cap*	24373
48	Carriage Bolt 5/16"-18X3/4"	2X53Z
49	Screw	26X49
50	Belt Guide	90694
51	Belt Guide	90691

NOTE: For replacement parts, always give the name on the side of the tire so that the tire tread pattern will be the same.

†NOTE: Replacement parts for the transmission are available from a Tecumseh Authorized Service Center. See the yellow pages under, "Engines, Gasoline" or "gasoline Engines" in the telephone directory.

5-36528

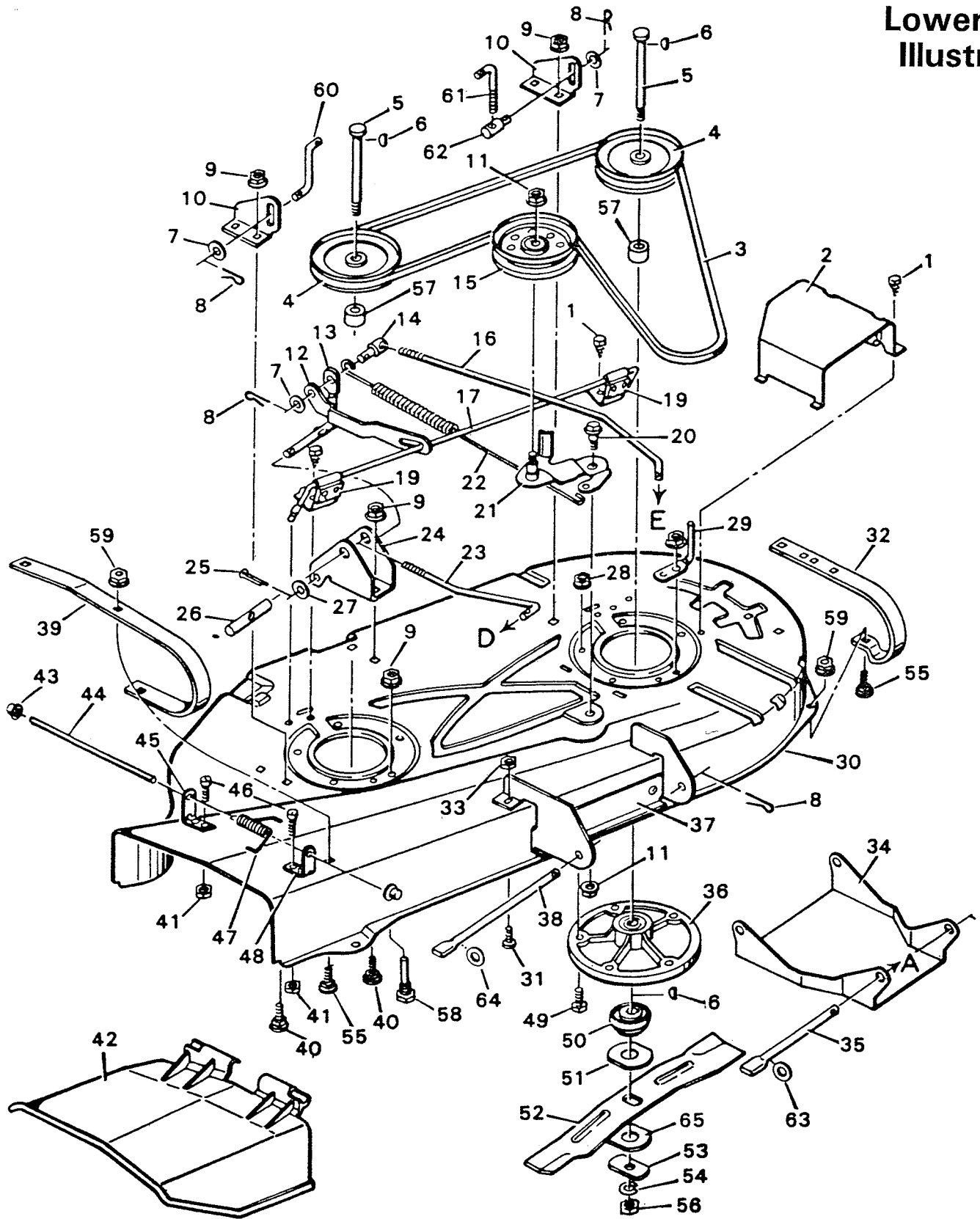
Replacement Part  
Blade Housin  
Top Ha



KEY NO.	DESCRIPTION	PART NO.	KEY NO.	DESCRIPTION	PART NO.
1	Grip, Blade Control Lever	20476	10	Grip, Lift Lever Assembly	23340
2	Blade Control Lever Assembly	90030Z	11	Lift Lever Assembly	90043
3	Hair Pin	75336	12	Hanger Bracket	90042
4	Carriage Bolt	2x64	13	Flange Locknut 5/16" 18	15X79
5	Screw	26X49	14	Lifter Rod	90099Z
6	Adjuster Screw Assembly	90078Z	15	Support Channel	90028
7	Washer	17X53Z	16	Adjuster Rod	90100Z
8	Cotter Pin	30X20	17	Adjustable Nut	21920
9	Adjuster Brkt. Assembly	404063	18	Spring	165X32

5-36528

Blade Housing  
Lower Half  
Illustration





## Replacement Parts

5-36528

## Blade Housing Lower Half Parts

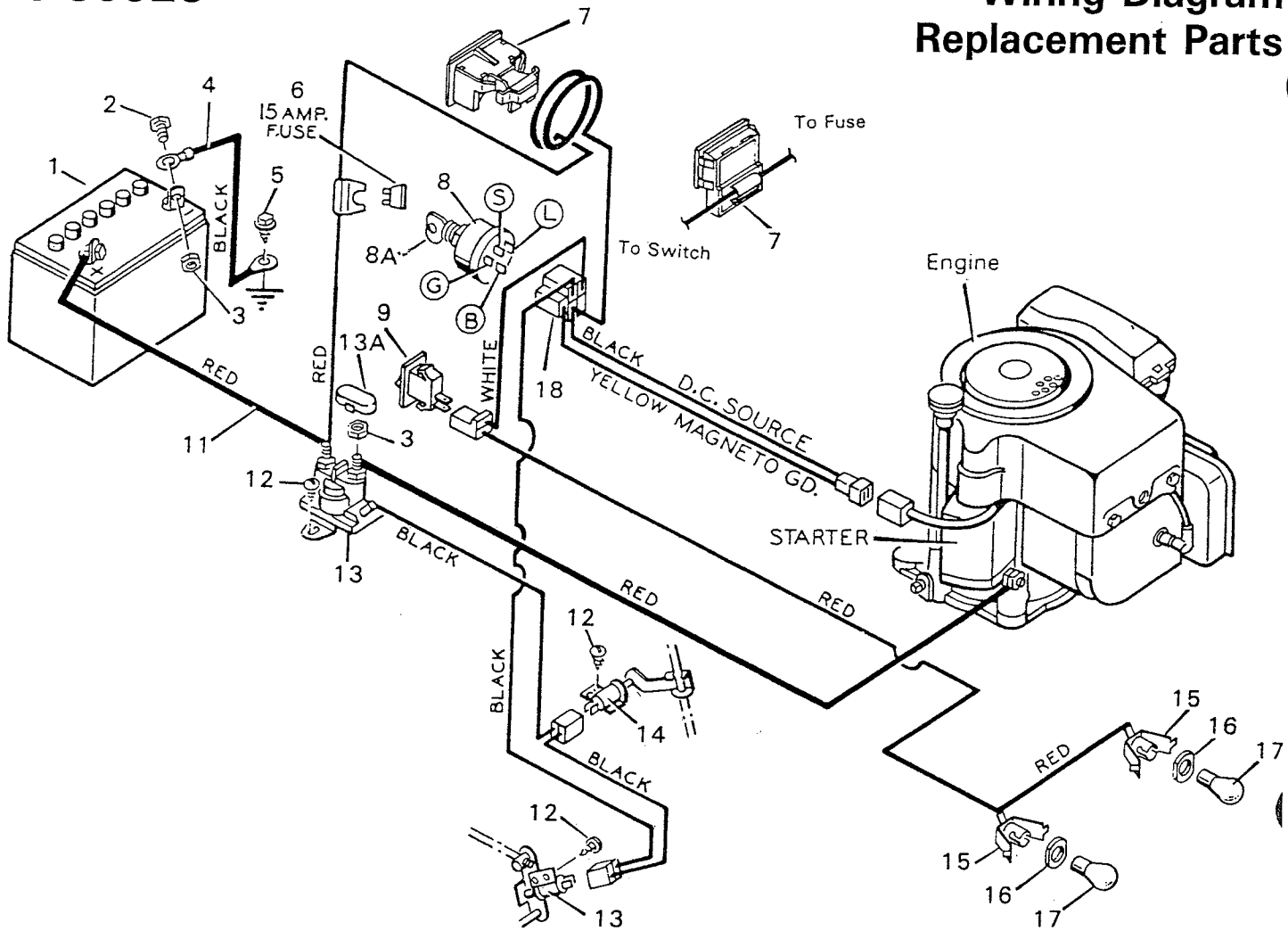
KEY NO.	DESCRIPTION	PART NO.	KEY NO.	DESCRIPTION	PART NO.
1	Screw	26X214	33	Locknut ¼''-20*	15X67
2	Pulley Cover	90117	34	Front Hanger	90106
3	Belt-Blade Drive	37X43	35	Hanger Rod	90133Z
4	Jackshaft Pulley	23739	36	Jackshaft Housing Assembly	24384
5	Jackshaft	24578	37	Front Hanger Bracket*	90401
6	Woodruff Key No. 6	20062	38	Hanger Rod	90107Z
7	Washer	17X53Z	39	Right Skid*	90392
8	Hairpin	75336	40	Carriage Bolt 5 16'' 18X5/8''*	2X53
9	Flange Nut 5/16''-18*	15X79Z	41	Hex Nut No. 10-24*	15X81
10	Lifter Bracket*	90103	42	Deflector, Blade Housing	21154
11	Flange Locknut 3/8''-16	15X84	43	Push on Cap	28X23
12	Brake Bar	90121Z	44	Deflector Rod	21198Z
13	Pivot Lever	90113Z	45	Rear Deflector Bracket*	21187
14	Adjustable Nut	90115	46	Machine Screw No.10-24X5/8''*	4X21
15	Idler Pulley	90118	47	Torsional Spring	166X4
16	Blade Control Rod	90114Z	48	Front Deflector Bracket*	21186
17	Blade Brake Rod	90122Z	49	Hex Bolt 5/16'' 18X1''	1X84
19	Spring Assembly, Blade Brake	90123	50	Blade Adapter	54211
20	Shoulder Bolt 3/8''-16X7/8''	9X12	51	Blade Washer	21673Z
21	Idler Bracket Assembly	90110Z	52	Blade, 36 inch	20930
22	Spring	165X33	53	Washer	20663Z
23	Link Rod	90108Z	54	Lockwasher	18X27
24	Rear Hanger Bracket*	90104	55	Carriage Bolt*	2X39
25	Cotter Pin	30X20	56	Hex Nut-Blade Mount ½''-20	15X72
26	Adjuster Bar	90109	57	Jackshaft Spacer	24533Z
27	Washer	17X102	58	Bolt, Belt Guide	20619
28	Flange Locknut 5/16''-18	15X88	59	Hex Nut*	15X82
29	Belt Guide	90120Z	60	Lifter Rod	90099Z
30	Blade Housing <b>Complete Blade Housing Ass'y# ' 407918</b>	90391 407918	61	Adjuster Rod	90100Z
31	Machine Screw 1/4-20X1/2''*	4X24	62	Adjustable Nut	21920
32	Left Skid*	90353	63	Washer	17X122Z
			64	Washer	17X57Z
			65	Washer, Under Blade	24614Z

\*NOTE: These parts are included with key no, 30.

†NOTE: This part number includes key numbers 1 to 64.

5-36528

Wiring Diagram  
Replacement Parts



KEY NO.	DESCRIPTION	PART NO.
1	Battery-25 AMP	21065
--	Electrolyte (Battery Acid)	90665
--	Battery Caps	400262
2	Hex Bolt 1/4"-20X5/8"	1X38
3	Keps Nut 1/4"-20	15X66
4	Battery Cable-Black	24X9
5	Screw	26X49
6	Fuse	54212
7	Ammeter Assembly	90729
8	Key Switch W/AC Terminal	21064PA
8A	Key & Ring-Only	20729
9	Light Switch	90647
11	Battery Cable	24X17
12	Screw	26X233
13	Solenoid	24285
13a	Solenoid Cover	90565
14	Limit Switch	24273
15	Socket Assembly	90155
16	Washer Headlamp	90228
17	Bulb, Headlamp	90084
18	Wiring Harness	90806
--	Tie Strap	32618

D-5289-5