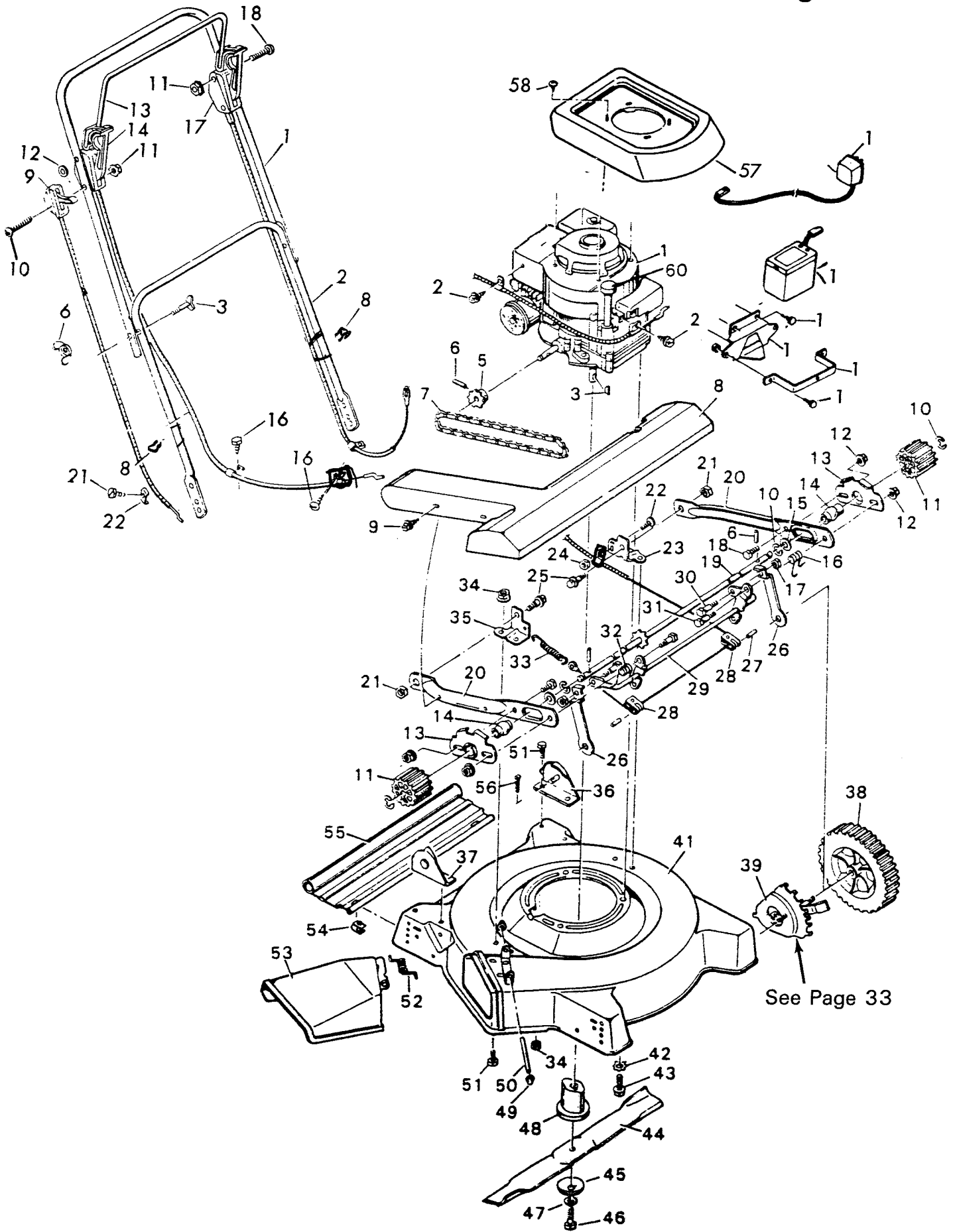


5-22683

Mower Housing Illustration



With Wheel Adjustor Rotary Mower Parts List

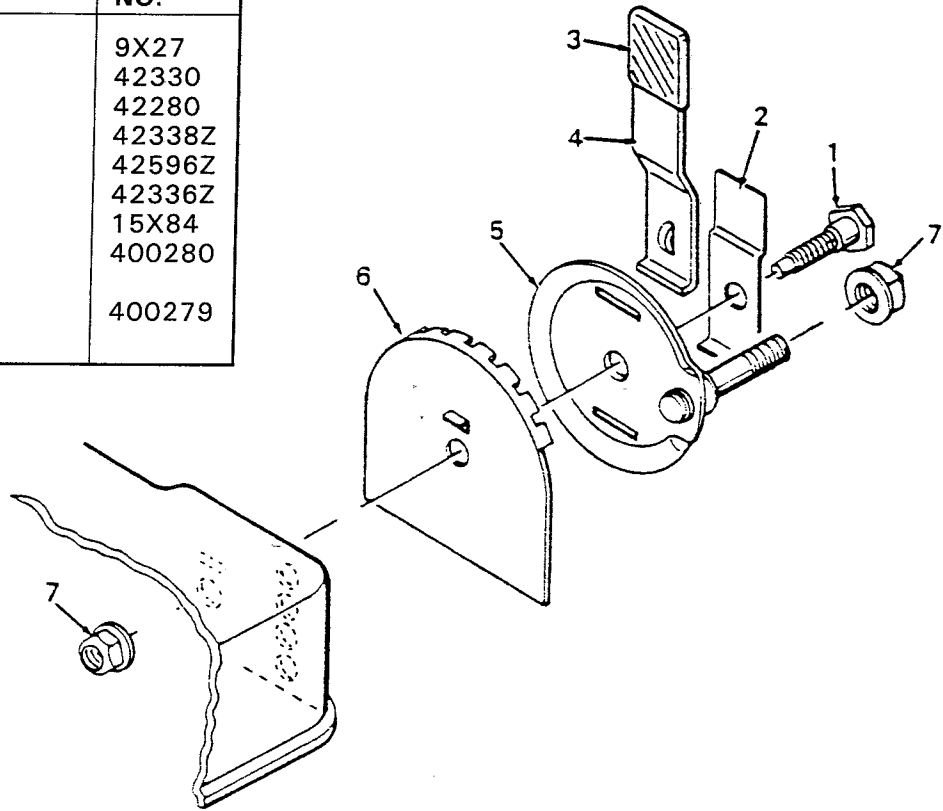
HANDLE PARTS LIST

KEY NO.	DESCRIPTION	PART NO.
1	Upper Handle	42373C
2	Lower Handle	42891C
3	Bolt for Wingnut	6X73Z
6	Wing Nut	14X83Z
8	Cable Clamp	42950
9	Throttle Control Lever	42946
10	Screw	3X76
11	Keys Nut	15X71
13	Engine Stop Lever	42591C
14	Starter Control	42226
16	Screw	26X234
17	Drive Control Assy's Folding Handle	42751
	Drive Control Only	404070
	Cable Only	404068
18	Bolt	3X147
21	Screw	26X181
22	Clamp	20073

KEY NO.	DESCRIPTION	PART NO.	KEY NO.	DESCRIPTION	PART NO.
1	Engine	---	32	Torsional Spring, R.H.	166X14
2	Screw	26X234	33	Extension Spring	165X8
3	Woodruff Key	20062	34	Hex Nut	15X82
5	Sprocket	20411	35	Drive Yoke Support Bracket, R.H.	42918Z
6	Spring Pin	32X64	36	Handle Bracket, Left	42713
7	Chain	20108	37	Handle Bracket, Right	42712
8	Pinion & Chain Guard	42575	38	Wheel & Tire	22125
9	Screw	26X214	39	Wheel Adjuster Assembly; See pg. 33	---
10	Retainer Ring	11X8	41	Housing Assembly	70078
11	Drive Pinion	20066	42	Shakeproof Washer	19X8
12	Hex Nut	15X76	43	Engine Bolt	20103
13	Bearing Retainer	42284Z	44	Blade	20046
14	Bearing	20048	45	Blade Washer	17X137
15	Washer	17X100Z	46	Hex Bolt	1X69
16	Torsional Spring, L.H.	166X15	47	Washer	17X124
17	Locknut	15X88	48	Blade Adapter	42735
18	Bolt	1X45	49	Push-On-Cap	28X42
19	Drive Shaft & Sprocket	22150Z	50	Pivot Pin	22326Z
20	Drive Arm	42285Z	51	Bolt	1X38
21	Hex Nut	15X84	52	Torsional Spring	166X5
22	Screw	4X21Z	53	Chute Deflector	42919
23	L.H. Bracket Drive Yoke	42917Z	54	Retainer	42743
24	Hex Nut	15X71	55	Rear Deflector	42747
25	Shoulder Bolt	9X17	56	Cotter Pin	20101
26	Wheel Connecting Lever	22970Z	57	Engine Shroud	70062
27	Spring Pin	32X70	58	Screw	26X230
28	Bracket & Pulley Assembly	22973	60	Oil Fill Extension	42328PA
29	Tie Rod Assembly	22989Z		Parts Bag	42928
30	Shoulder Bolt	9X8		Instruction Manual	F-7453
31	Shoulder	9X1			

Wheel Adjuster Assembly For 5-22251, 5-22261 5-22271 & 5-Specials of These Murray Models

KEY NO.	DESCRIPTION	PART NO.
1	Shoulder Bolt	9X27
2	Spring	42330
3	Grip	42280
4	Adjuster Lever	42338Z
5	Wheel Adjuster Bracket	42596Z
6	Index Plate	42336Z
7	Flange Nut	15X84
1-7	Wheel Adjuster Assembly Right Front or Left Rear	400280
1-7	Wheel Adjuster Assembly Left Front or Right Rear	400279



Wheel Adjuster Assembly For 5-22651 5-22683, 5-21851, 5-21861, 5-21951 5-21961 & 5-Specials Of These Murray Models

KEY NO.	DESCRIPTION	PART NO.
1	Adjuster Lever, Side Bagger	42756
	Adjuster Lever, Rear Bagger	42757
2	Shoulder Bolt	9X26
3	Hex Nut	15X84
4	Washer	17X102Z
5	Grip	20065
6	Hex Bolt	1X85
7	Index Plate-LF,RR	42753Z
	Index Plate-RF,LR	42754Z
8	Hex Nut	15X97
9	Flange Nut	15X68Z
1-9	Height Adj. Ass'y, Rear Bagger (For right front or left rear)	400275
	Height Adj. Ass'y, Rear Bagger (For left front or right rear)	400276
	Height Adj. Ass'y, Side Bagger (For left front or right rear)	400277
	Height Adj. Ass'y, Side Bagger (For right front or left rear)	400278

