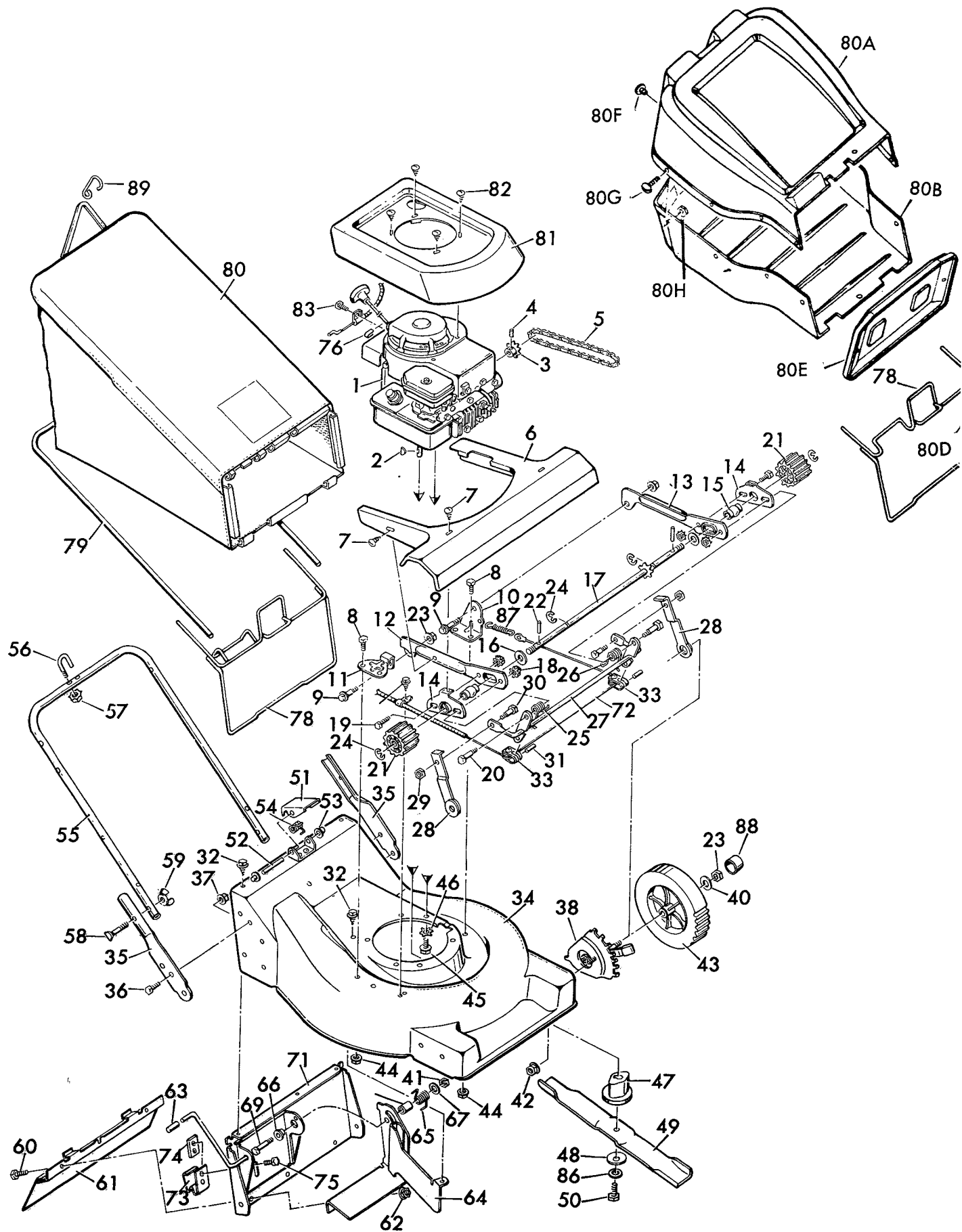


For Murray Parts Call 606-678-9623 or 606-561-4983

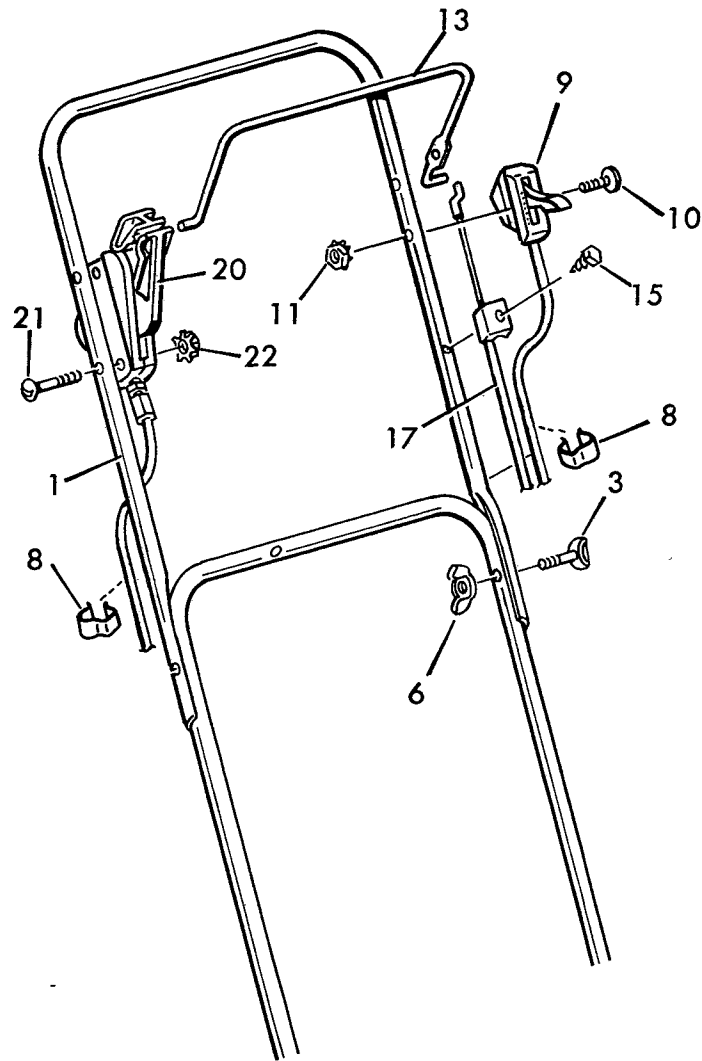
Model Nos. 5-21951
5-21961

Mower Housing Illustratio



MOWER HOUSING PARTS LIST**MODEL NO. 5-21951 3.5 HP****MODEL NO. 5-21961 4 HP**

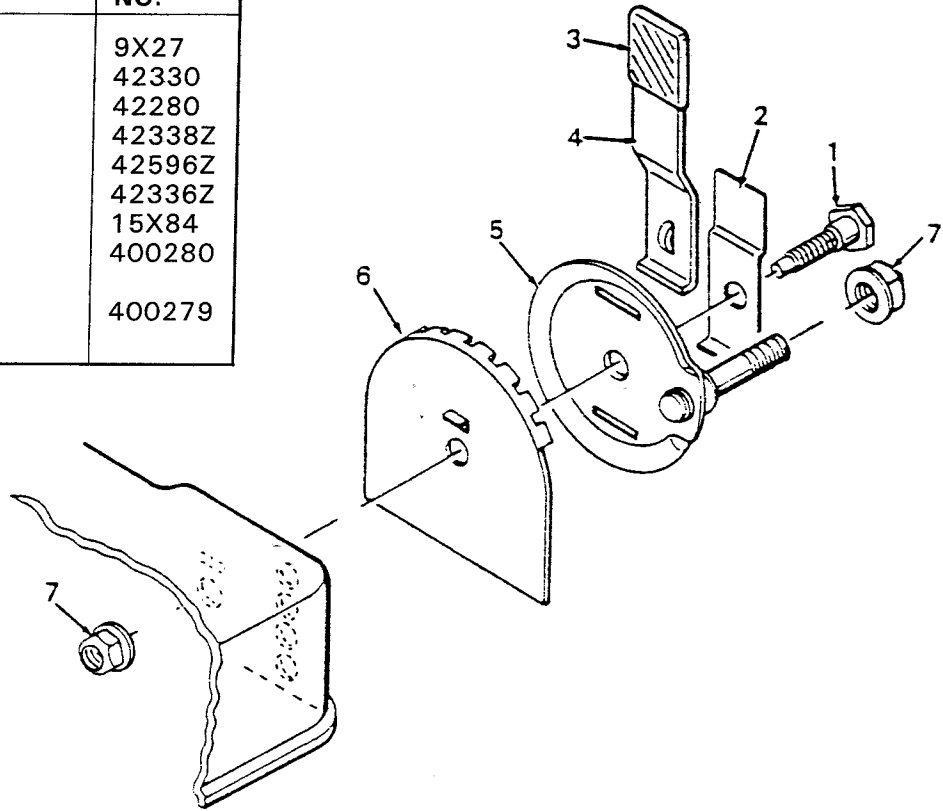
KEY NO.	DESCRIPTION	MODEL 21951	MODEL 21961	KEY NO.	DESCRIPTION	MODEL 21951	MODEL 21961
1	Engine	----	----	47	Blade Adapter	42735	42735
2	Woodruff Key	20062	20062	48	Washer	17X137	17X137
3	Sprocket	42489	42489	49	Blade	22860	22860
4	Spring Pin	32X64	32X64	50	Hex Bolt	1X69	1X69
5	Drive Chain	42488	42488	51	Latch	42004Z	42004Z
6	Pinion Guard	42490	42490	52	Latch Pin	42416Z	42416Z
7	Screw	26X185	26X185	53	Push On Caps	28X42	28X42
8	Hex Bolt	1X38	1X38	54	Spring	166X20	166X20
9	Shoulder Bolt	9X17	9X17	55	Lower Handle	42894C	42894C
10	Drive Arm Mounting Bracket L.H.	42481Z	42481Z	56	U-Bolt	42896Z	42896Z
11	Drive Arm Mounting Bracket R.H.	42482Z	42482Z	57	Keps Nut	15X66	15X66
12	Drive Arm R.H.	42484Z	42484Z	58	Contour Bolt	6X73Z	6X73Z
13	Drive Arm L.H.	42483Z	42483Z	59	Wing Nut	14X83Z	14X83Z
14	Bearing Retainer Bracket	42485Z	42485Z	60	Hex Bolt	1X38	1X38
15	Bearing	20048	20048	61	Rear Guard	70061	70061
16	Washer	17X100	17X100	62	Flange Locknut	15X89	15X89
17	Sprocket & Drive Shaft	42479Z	42479Z	63	Grip-Door Lever	42281	42281
18	Keps Nut	15X76	15X76	64	Insert Ass'y	42448E	42448E
19	Hex Bolt	1X45	1X45	65	Torsion Spring	166X21	166X21
20	Shoulder Bolt	9X1	9X1	66	Spacer	22941	22941
21	Drive Pinion	20066	20066	67	Washer	17X104	17X104
22	Spring Pin	32X64	32X64	68	Door Spring Tube	42412C	42412C
23	Flange Locknut	15X84	15X84	69	Hex Bolt	1X87	1X87
24	Retainer Ring	11X8	11X8	70	Hex Nut Flange	15X68Z	15X68Z
25	Spring	166X14	166X14	71	Rear Plate	42408E	42408E
26	Spring	166X15	166X15	72		42365	42365
27	Tie Rod & Pulley Bracket	42491	42491	73	Door Lock Spring	42413	42413
28	Wheel Connect Lever	42486Z	42486Z	74	Spacer	42420	42420
29	Flange Locknut	15X88	15X88	75	Screw	25X2	25X2
30	Shoulder Bolt	9X8	9X8	76	Rope Stop	42189	42189
31	Spring Pin	32X70	32X70	78	Bag Frame Ass'y	42433	42872
32	Tapping Screw	26X195	26X195	79	Upper Support Tube	42432	42432
33	Bracket & Pulley Ass'y	22973	22973	80	Bag Mesh	42430	42430
34	Housing Ass'y	70060	70060	80a	Grass Catcher, Top Half	---	42933
35	Handle Mounting Bracket	42422C	42422C	80b	Grass Catcher, Bottom Half	---	42934
36	Hex Bolt	1X85	1X85	80d	Clip	---	192X1
37	Flange Locknut	15X84	15X84	80e	Baffle	---	42935
38	Height Adj. Assembly See Page 33	---	---	80f	Panel Fastener	---	193X1
40	Washer	17X102	17X102	80g	Screw	---	4X21
41	Stover Nut	15X12	15X12	80h	Hex Nut	---	15X10Z
42	Flange Hex Nut	15X68Z	15X68Z	81	Shroud Ass'y w/oil fill	---	70064
43	Wheel & Tire	20105	22125	82	Screw	26X234	26X234
44	Flange Locknut	15X82	15X82	83	Screw	42419E	42419E
45	Engine Mount Bolt	20103	20103	84	Door	407064	407064
46	Shakeproof Washer	19X8	19X8	85	Door Lever Ass'y	17X124	17X124
				86	Washer	165X8	165X8
				87	Spring-Cable	22115	22115
				88	Hub Cap	42431	42431
				89	Hook	F-7455	F-7455
					Instruction Book	42930	42953
					Parts Bag	---	42952
					(Hard Bag Catcher)		



KEY NO.	DESCRIPTION	21951	21961
1	Upper Handle	42428C	42428C
2	Lower Handle	42894C	42894C
3	Bolt for Wingnut	6X73Z	6X73Z
6	Wing Nut	14X83Z	14X83Z
8	Cable Retainer, Metal	42950	42950
9	Throttle Control, Lever	42948	42879
10	Bolt	3X105	3X105
11	Keps Nut	15X66	15X66
13	Engine Stop Lever	42561C	42561C
15	Screw	26X220	26X220
17	Engine Stop Cable	42941	42941
20	Drive Control Ass'y	42752	42752
	Drive Control	404070	404070
	Cable Only	404069	404069
21	Bolt	3X147	3X147
22	Nut	15X71	15X71

Wheel Adjuster Assembly For 5-22251, 5-22261 5-22271 & 5-Specials of These Murray Models

KEY NO.	DESCRIPTION	PART NO.
1	Shoulder Bolt	9X27
2	Spring	42330
3	Grip	42280
4	Adjuster Lever	42338Z
5	Wheel Adjuster Bracket	42596Z
6	Index Plate	42336Z
7	Flange Nut	15X84
1-7	Wheel Adjuster Assembly Right Front or Left Rear	400280
1-7	Wheel Adjuster Assembly Left Front or Right Rear	400279



Wheel Adjuster Assembly For 5-22651 5-22683, 5-21851, 5-21861, 5-21951 5-21961 & 5-Specials Of These Murray Models

KEY NO.	DESCRIPTION	PART NO.
1	Adjuster Lever, Side Bagger	42756
	Adjuster Lever, Rear Bagger	42757
2	Shoulder Bolt	9X26
3	Hex Nut	15X84
4	Washer	17X102Z
5	Grip	20065
6	Hex Bolt	1X85
7	Index Plate-LF,RR	42753Z
	Index Plate-RF,LR	42754Z
8	Hex Nut	15X97
9	Flange Nut	15X68Z
1-9	Height Adj. Ass'y, Rear Bagger (For right front or left rear)	400275
	Height Adj. Ass'y, Rear Bagger (For left front or right rear)	400276
	Height Adj. Ass'y, Side Bagger (For left front or right rear)	400277
	Height Adj. Ass'y, Side Bagger (For right front or left rear)	400278

