

D-5284-5

MODEL NO. 4-36523

REPLACEMENT BODY PARTS

BODY PARTS

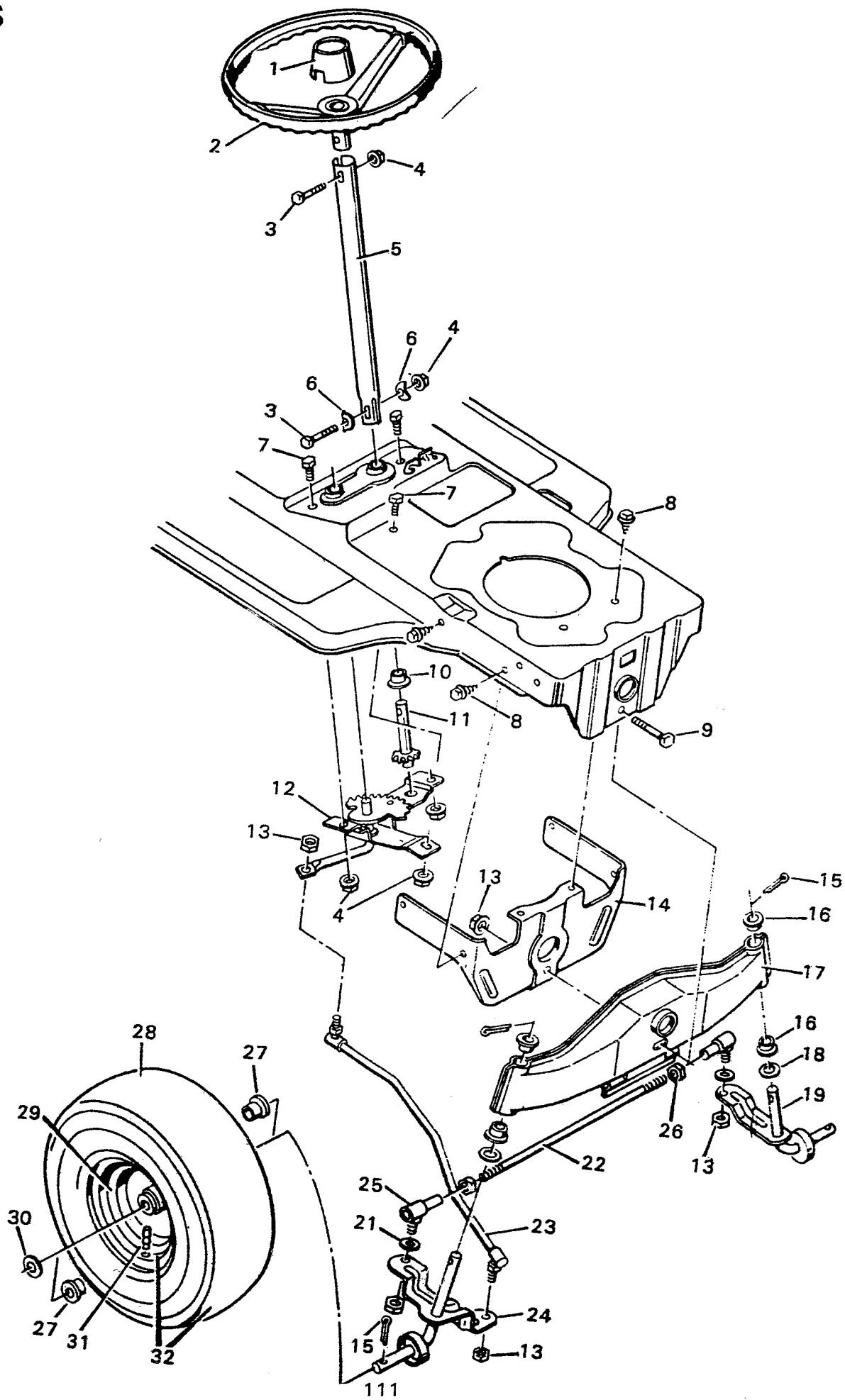
KEY NO.	DESCRIPTION	PART NO.
1	Seat	90368
2	Seat Support	90032
3	Flange Locknut 3/8"-16	15X84
4	Shoulder Bolt 3/8"-16X7/8"	9X15
5	Hex Bolt 5/16"-18X5 1/8"	1X45
9	Screw	26X49
10	Seat Pivot Bracket	90031
11	Seat Deck	90182
12	Spring	164X13
13	Spring Retainer	90014
14	Seat Deck Support	90633
15	Carriage Bolt	2X53
16	Keps Nut 5/16" 18	15X76
17	Battery Tray	24157
18	Battery Clamp	90632Z
19	Flange Locknut 5/16"-18	15X88
20	Dashboard Assembly	90641
21	Bearing - Steering Post	90081
22	Screw	26X186
24	Right Hood Latch*	90464Z
25	Left Hood Latch*	90465Z
26	Washer*	17X17Z
27	Hex Nut No. 10-24*	15X81
28	Machine Screw No. 10-24X1/2"*	4X20Z
29	Edge Trim*	90240
30	Hood & Grille Assembly-Complete No Hole	90471
—	Hood & Grille Assembly-Complete With Hole	90470
32	Shoulder Bolt 3/8"-16X7/8"	9X14
33	Reflector Headlight	90009C
34	Lens, Headlight	90082
36	Mat - Foot Rest	90148
37	Frame Channel	90001
40	Washer	17X47Z
42	Headlight Trim	90159C
43	Lock Washer	18X16
	Parts List	F-6824
	Instruction Book	F-6823
	Parts Bag	90555

NOTE: These parts, shown with an (*) are included in with key no. 30

STEERING REPLACEMENT PARTS

Call 606-678-9623 or

MODEL NO. 4-36523



F-7101

MODEL NO. 4-36523

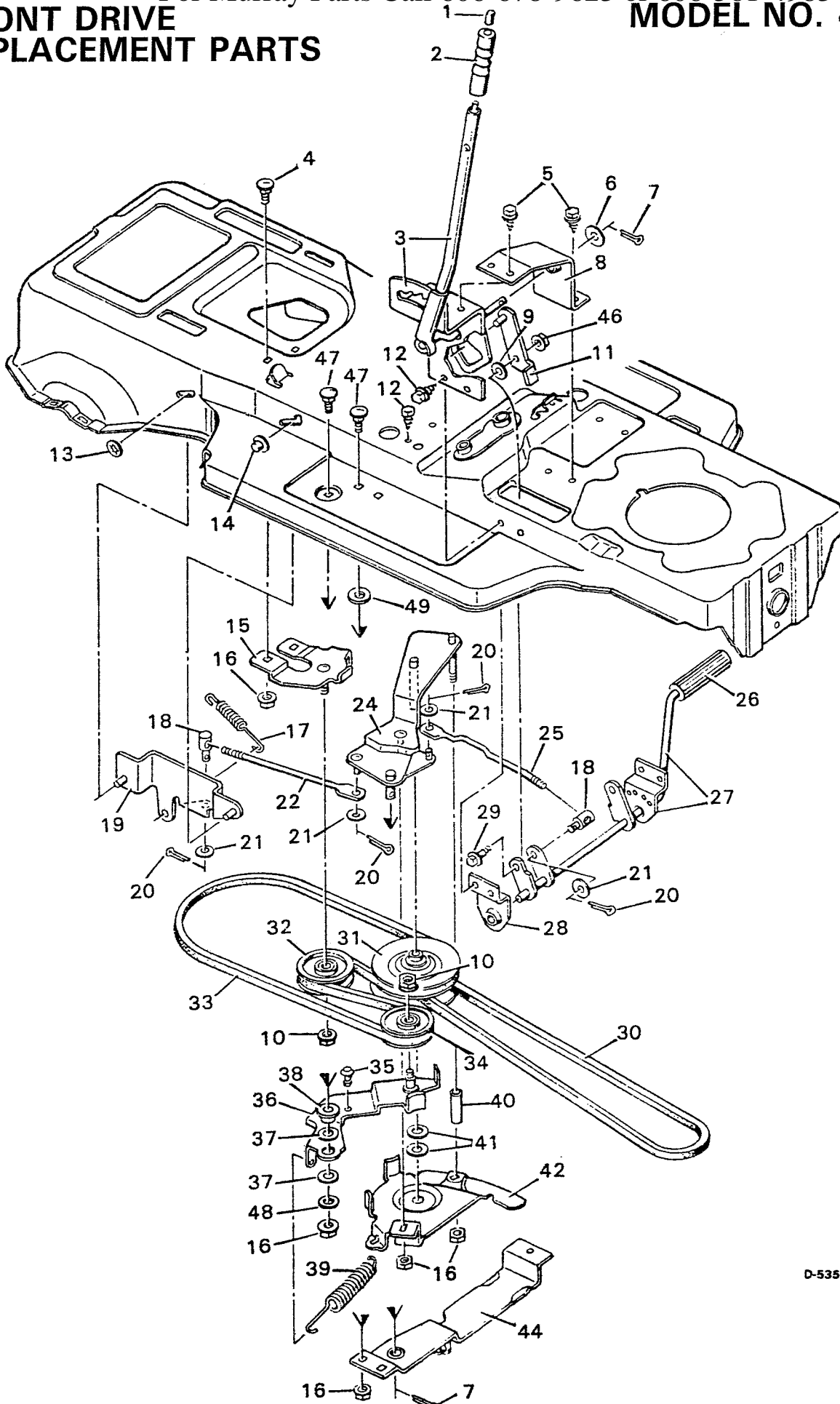
STEERING REPLACEMENT PARTS

KEY NO.	DESCRIPTION	PART NO.
1	Cap, Steering Wheel	23573
2	Steering Wheel	90126
3	Hex Bolt 5/16''-18X1 1/2''	1X102
4	Flange Locknut	15X88
5	Steering Post	90130C
6	Washer	17X47Z
7	Hex Bolt 5/16''-18X5/8''	1X45
8	Screw	26X49
9	Hex Bolt 3/8''-24X3 1/4''	1X101
10	Bearing	90096
11	Pinion Gear & Shaft	90132
12	Sector Gear Assembly	90025
13	Flange Locknut 3/8''-24	15X87
14	Front Axle Support	90002
15	Cotter Pin	30X49
16	Spindle Bearing	90035
17	Axle Assembly	90034
18	Washer	17X113
19	Left Spindle Assembly	90037
21	Washer	17X124
22	Tie Rod	21475
23	Drag Link Assembly	90041
24	Right Spindle Assembly	90036
25	Steering Ball Joint	21031
26	Hex Nut	15X61
27	Wheel Bearing*	24367
28	Tire Only*	24376
—	Tire Tube*	407047
29	Wheel Only*	24355E
30	Washer	17X83Z
31	Valve Stem & Cap*	24373
32	Wheel and Tire Assembly	24378

*NOTE: These Parts are included with key no. 32. For replacement parts, always give the name on the side of the tire so that the tire tread pattern will be the same.

FRONT DRIVE REPLACEMENT PARTS

MODEL NO. 4-36523



D-5355-4

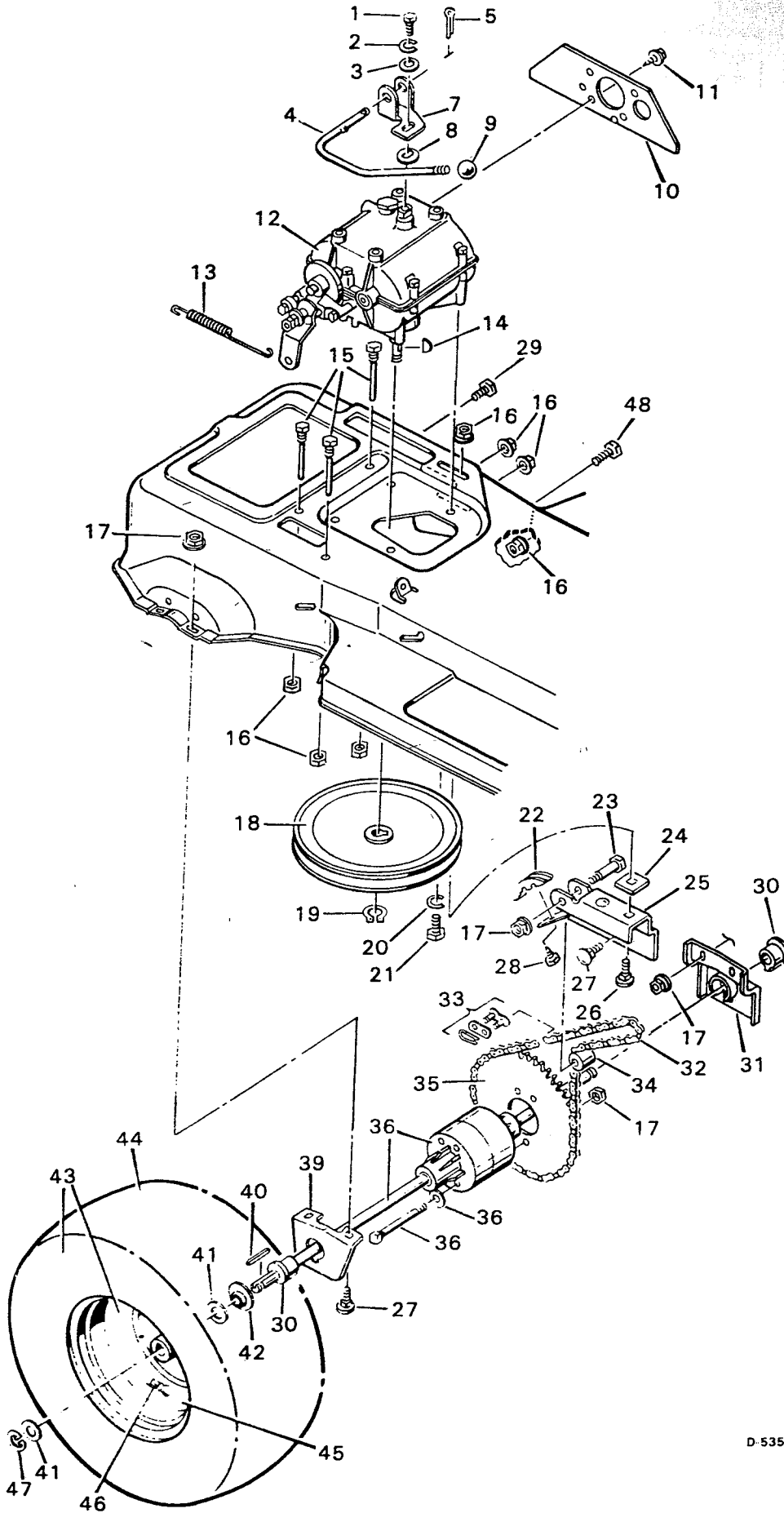
MODEL NO. 4-36523**FRONT DRIVE
REPLACEMENT PARTS**

KEY NO.	DESCRIPTION	PART NO.
1	Push Button	90556
2	Grip, Speed Selector	90504
3	Speed Selector Assembly	90522
4	Carriage Bolt 5/16" 18X5/8"	2X53
5	Screw	26X49
6	Washer	17X87Z
7	Cotter Pin	30X49
8	Support Bracket, Speed Selector	90519
9	Washer	17X90
10	Flange Locknut 3/8" 16	15X84
11	Speed-Selector Link Assembly	90529
12	Screw	26X197
13	Push Nut	28X44
14	Retainer Cap	28X48
15	Idler Bracket Assembly	90510
16	Flange Nut 5/16" 18	15X79
17	Extension Spring, Brake	165X45
18	Adjustable Nut	21920
19	Brake Plate Assembly	90527
20	Cotter Pin	30X20
21	Washer	17X53Z
22	Link Rod, Brake	90538Z
24	Upper Support Assembly	90543
25	Link Rod, Clutch/Brake	90525Z
26	Clutch/Brake Pedal	21544
27	Pedal Lever Assembly	90532
28	Support Bracket	90013
29	Shoulder Bolt	9X8
30	Belt, Primary Drive*	400258
31	Variator Pulley Assembly	90564
32	Idler Pulley	21409
33	Belt, Secondary Drive*	400258
34	Idler Pulley	20613
35	Slide Button	90506
36	Idler Bracket Assembly	90534Z
37	Thrust Washer	17X142
38	Spacer, Idler Bracket	90508
39	Extension Spring	165X44
40	Spacer, Variator Support	121X74Z
41	Thrust Washer	17X139
42	Lower Variator Support	90540
44	Pivot Support Assembly	90537
46	Flange Locknut 5/16" 18	15X88
47	Carriage Bolt 5/16" 18X1"	2X72
48	Washer	17X146
49	Washer	10851Z
	Grease, Variator	407061

*NOTE: Both belts are included when ordering key no. 30 and 33. Both belts must be replaced even if only one belt is damaged.

REAR DRIVE REPLACEMENT PARTS

MODEL 4-36523



D-5354 3

MODEL NO. 4-36523

REAR DRIVE REPLACEMENT PARTS

KEY NO.	DESCRIPTION	PART NO.
1	Hex Bolt 1/4" 28X5/8"	1X82
2	Lockwasher	18X32
3	Washer	17X32Z
4	Shift Lever	90191Z
5	Cotter Pin	30X20
7	Shifter Yoke	90183Z
8	Washer	17X134
9	Knob, Shift Lever	20739
10	Transmission Support Assembly	90681E
11	Screw	25X4
12	Transmission Peerless	771A
13	Extension Spring, Brake	165X34
14	Woodruff Key No. 9	20697
15	Bolt, Belt Guide	20619
16	Flange Nut 5/16" 18	15X79
17	Flange Locknut 5/16" 18	15X88
18	Pulley Drive	90505
19	Retainer Ring	11X7
20	Lockwasher	18X15
21	Hex Bolt 5/16" 18X3/4	1X91
22	Guide Book*	23403
23	Shoulder Bolt*	9X22
24	Spacer	90177
25	Chain Idler Assembly	90480
26	Carriage Bolt 5/16" 18X3/4"	2X64
27	Carriage Bolt 5/16" 18X5/8"	2X53
28	Screw	26X214
29	Hex Bolt 5/16" 18X5/8"	1X45
30	Axle Bearing	90225
31	Left Bearing Plate	90678Z
32	Roller Chain and Link	90348
33	Connecting Link	407060
34	Roller*	90176
35	Sprocket 50 Tooth	90188
36	Differential Peerless	100-027
39	Right Bearing Plate	90346Z
40	Square Key 3/16"	21553
41	Washer	17X113
42	Extruded Washer	23041Z
43	Rear Wheel and Tire	24377
44	Tire Only**	24375
	Tire Tube**	407049
45	Wheel Only**	24351E
46	Valve Stem**	24373
47	E Ring	11X3
48	Hex Bolt 5/16" 18X1"	1X84

NOTE: These parts (*) are included with key no. 25.

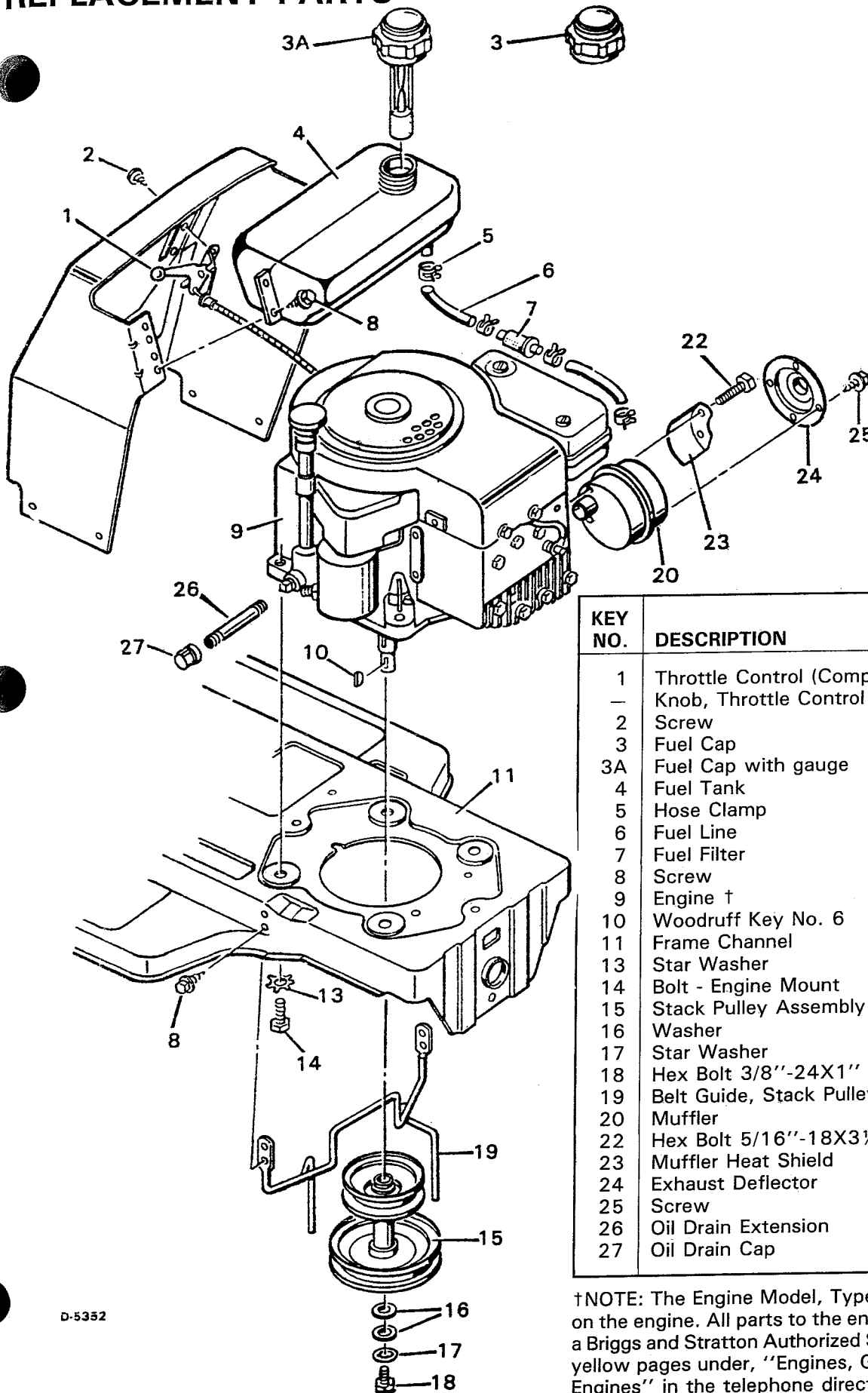
†NOTE: The engine model, type, and code numbers are on the engine. All parts to the engine are available from a Briggs and Stratton Authorized Service Center. See the yellow pages under, "Engines, Gasoline" or "Gasoline Engines" in the telephone directory.

NOTE: Parts shown with an (††) as a part number are available from a Tecumseh Authorized Service Center. See the yellow pages under, "Engines, Gasoline" or "Gasoline Engines" in the telephone directory.

NOTE: Parts shown with (**) in the description are included with key number 43. For replacement parts always give the name on the side of the tire tread pattern will be the same.

ENGINE MOUNT REPLACEMENT PARTS

MODEL NO. 4-36523

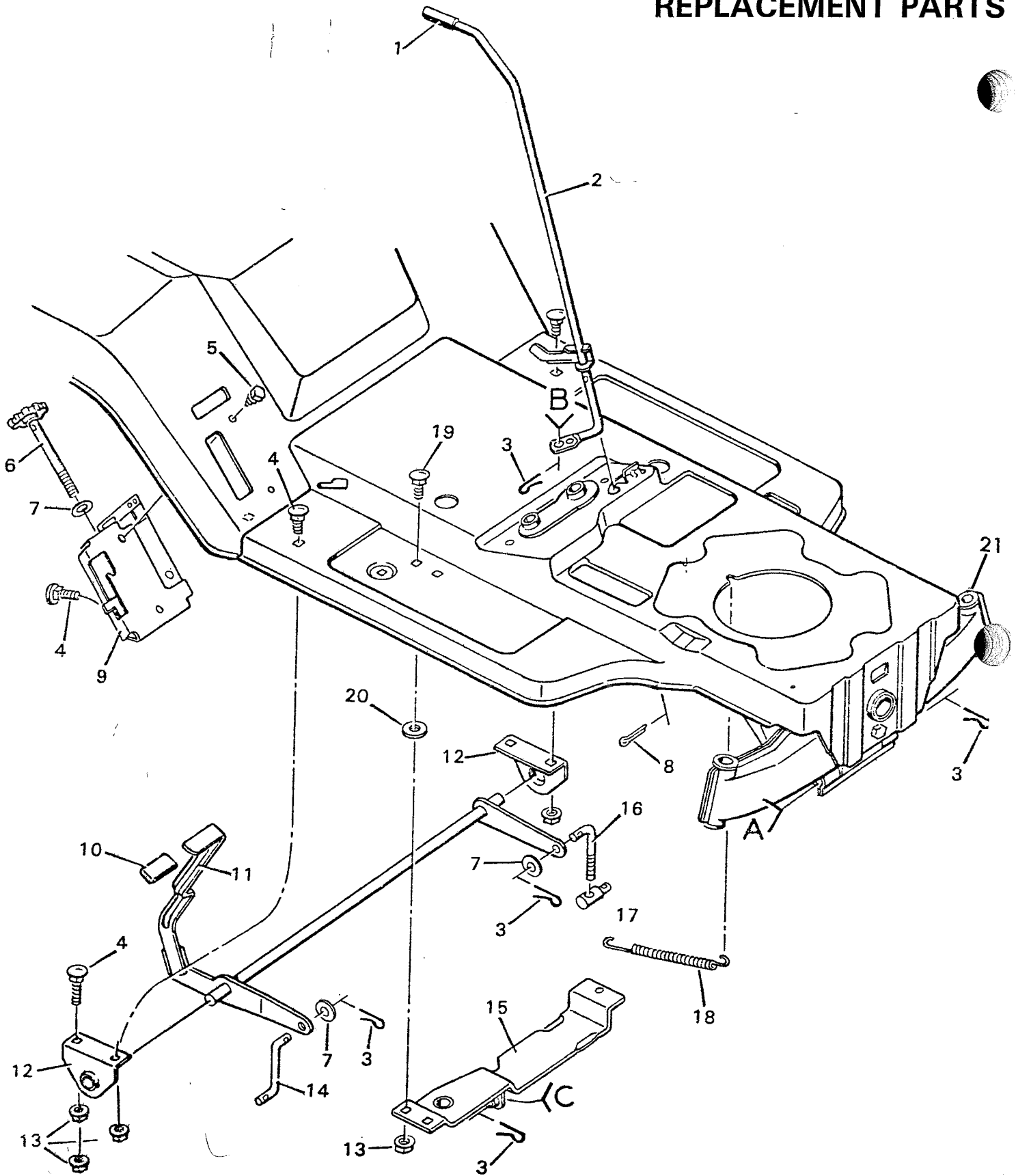


KEY NO.	DESCRIPTION	PART NO.
1	Throttle Control (Complete)	90095
—	Knob, Throttle Control (Only)	20339
2	Screw	26X159
3	Fuel Cap	23711
3A	Fuel Cap with gauge	24064
4	Fuel Tank	23300
5	Hose Clamp	23713
6	Fuel Line	90671
7	Fuel Filter	24159
8	Screw	26X214
9	Engine †	
10	Woodruff Key No. 6	20062
11	Frame Channel	90001
13	Star Washer	19X8
14	Bolt - Engine Mount	20103
15	Stack Pulley Assembly	90329Z
16	Washer	10851Z
17	Star Washer	19X39
18	Hex Bolt 3/8"-24X1"	1X20
19	Belt Guide, Stack Pulley	90560Z
20	Muffler	90330PA
22	Hex Bolt 5/16"-18X3/4"	1X118
23	Muffler Heat Shield	90332
24	Exhaust Deflector	23740Z
25	Screw	26X203
26	Oil Drain Extension	24066
27	Oil Drain Cap	21651

†NOTE: The Engine Model, Type & Code Numbers are on the engine. All parts to the engine are available from a Briggs and Stratton Authorized Service Center. See the yellow pages under, "Engines, Gasoline" or "Gasoline Engines" in the telephone directory.

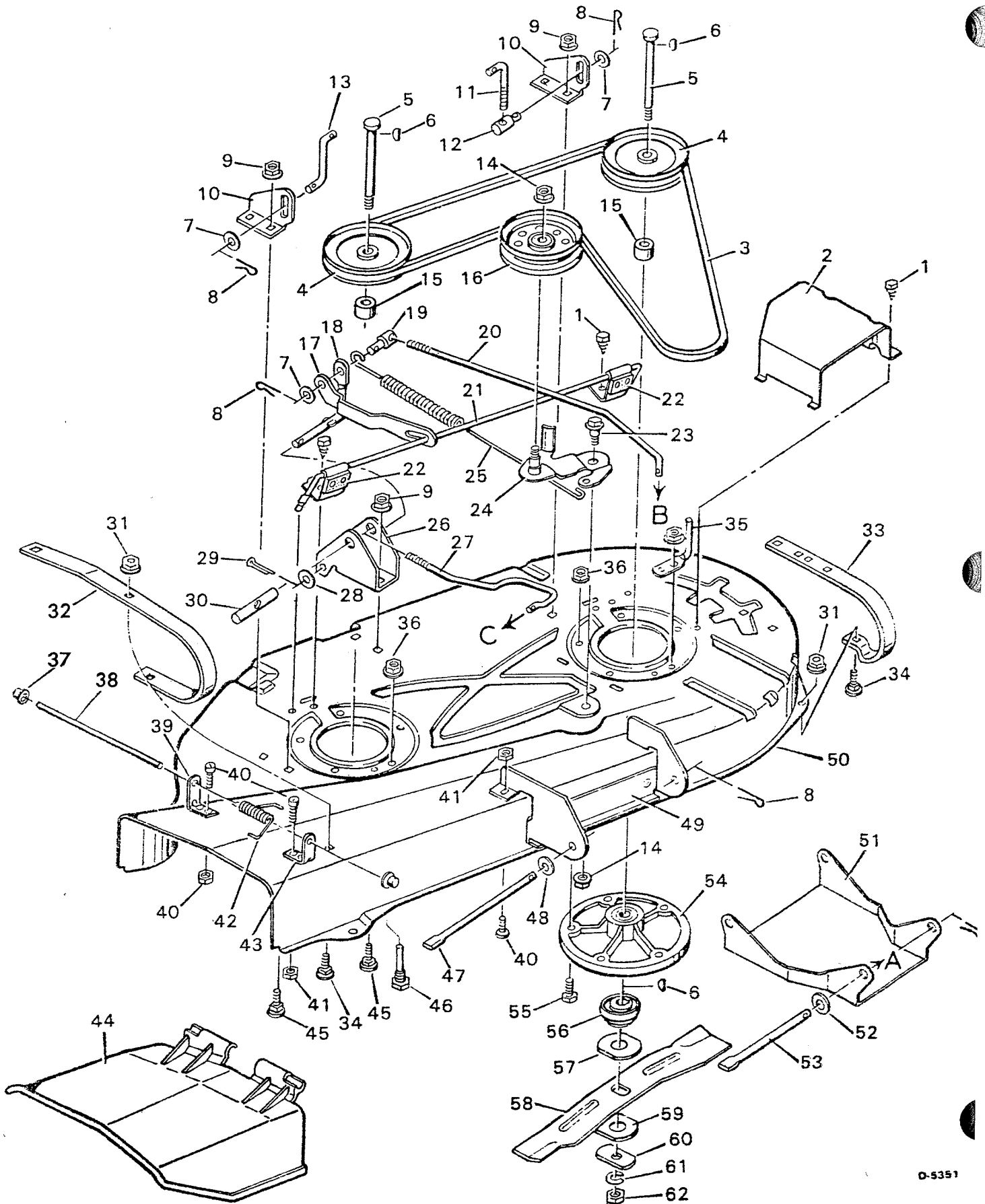
D-5352

TOP HALF OF BLADE HOUSING REPLACEMENT PARTS



**TOP HALF OF BLADE HOUSING
REPLACEMENT PARTS****MODEL NO. 4-36523**

KEY NO.	DESCRIPTION	PART NO.
1	Grip, Blade Control Lever	20476
2	Blade Control Lever Assembly	90030Z
3	Hair Pin	75336
4	Carriage Bolt	2X64
5	Screw	26X49
6	Adjuster Screw Assembly	90078Z
7	Washer	17X53Z
8	Cotter Pin	30X20
9	Adjuster Bracket Assembly	404063
10	Grip, Lift Lever Assembly	23340
11	Lift Lever Assembly	90549
12	Hanger Bracket	90042
13	Flange Locknut 5/16" 18	15X79
14	Lifer Rod	90099Z
15	Support Channel, Pivot	90537
16	Adjuster Rod	90100Z
17	Adjustable Nut	21920
18	Spring	165X32
19	Carriage Bolt 5/16" 18X1"	2X72
20	Washer	10851Z
21	Axle Assembly	90034



O-5351

BOTTOM HALF OF BLADE HOUSING MODEL NO. 4-36523

REPLACEMENT PARTS

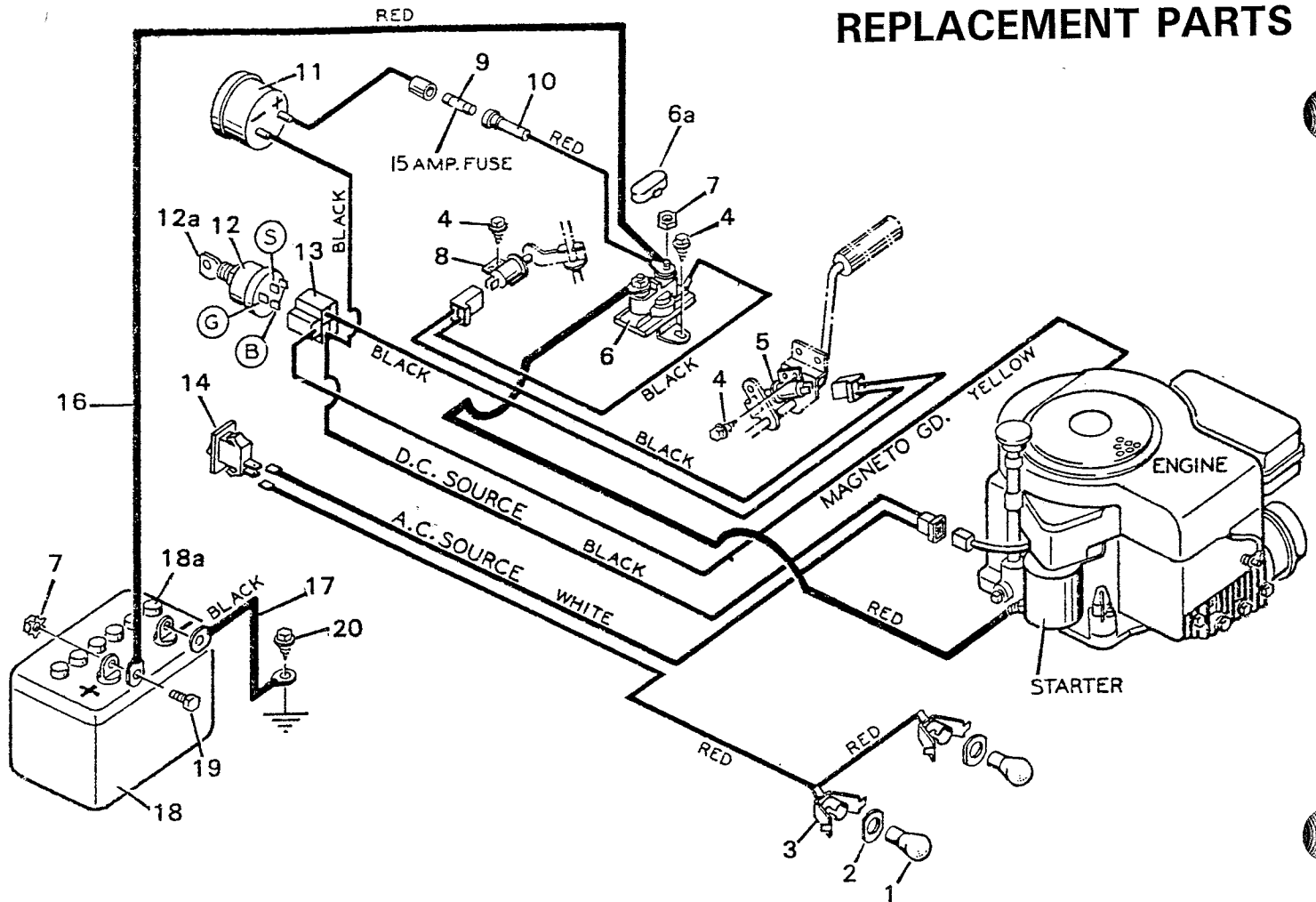
KEY NO.	DESCRIPTION	PART NO.	KEY NO.	DESCRIPTION	PART NO.
1	Screw ¼"X½"	26X214	32	Skid R.H.*	90392
2	Pulley Cover	90117	33	Skid L.H.*	90353
3	Blade Drive Belt	37X43	34	Carriage Bolt ¼"-20X9/16"*	2X39
4	Jackshaft Pulley	23739	35	Belt Guide	90120Z
5	Jackshaft	24578	36	Flange Locknut 5/16"-18	15X88
6	Woodruff Key No. 6	20062	37	Push on Cap	28X23
7	Washer	17X53Z	38	Deflector Rod	21198Z
8	Hair Pin	75336	39	Rear Deflector Bracket*	21187
9	Flange Nut 5/16"-18*	15X79	40	Machine Screw #10-24X5/8"*	4X21
10	Lifter Bracket*	90103	41	Hex Locknut #10-24	15X81
11	Adjuster Rod	90100Z	42	Torsional Spring	166X4
12	Adjuster Nut	21920	43	Front Deflector Bracket*	21186
13	Lifter Rod	90099Z	44	Chute Deflector	21154
14	Flange Locknut 3/8"-16	15X84	45	Carriage Bolt 5/16"-18X5/8"*	2X53
15	Jackshaft Spacer	24533Z	46	Bolt, Belt Guide	20619
16	Idler Pulley	90118	47	Hanger Rod	90107Z
17	Brake Bar	90121Z	48	Washer	17X57Z
18	Pivot Leyer	90113Z	49	Front Hanger Bracket*	90401
19	Adjustable Nut	90115	50	Blade Housing Assembly	90391
20	Control Rod	90114Z		Blade Housing Assembly, Complete**	403186
21	Blade Brake Rod	90122Z	51	Front Hanger	90106
22	Spring Assembly	90123	52	Washer	17X122Z
23	Shoulder Bolt 3/8"-16X7/8"	9X12	53	Hanger Rod	90133Z
24	Idler Bracket Assembly	90110Z	54	Jackshaft Housing	24384
25	Extension Spring	165X33	55	Hex Bolt 5/16"-18X1	1X84
26	Rear Hanger Bracket	90104	56	Blade Adapter	20617
27	Link Rod	90544Z	57	Washer	24614Z
28	Washer	17X102Z	58	Blade 36 inch	20930
29	Cotter Pin	30X20	59	Washer	21673Z
30	Adjuster Bar	90109	60	Washer	20663Z
31	Flange Locknut ¼"-20*	15X82	61	Spring Lockwasher	18X27
			62	Hex Nut ½"-20, Blade Mount	15X72

*NOTE: These parts are included when ordering key no. 50.

**NOTE: These parts include key number 1-62

MODEL NO. 4-36523

**WIRING DIAGRAM
REPLACEMENT PARTS**



KEY NO.	DESCRIPTION	PART NO.
1	Headlight Bulb	90084
2	Washer, Light Socket	90228
3	Socket Assembly	90155
4	Screw	26X185
5	Limit Switch, Clutch	21549
6	Solenoid	24285
6a	Cover, Solenoid	90565
7	Keps Nut 1/4" 20	15X66
8	Limit Switch, Blade Control Lever	24273
9	Fuse	23752
10	Fuse Holder	407058
11	Ammeter Assembly	21057PA
12	Ignition Switch and Key	21064PA
12a	Key and Ring (Only)	20729
13	Wiring Harness	90675
14	Light Switch	90647
16	Battery Cable (Red)	24X18
17	Battery Cable (Black)	24X9
18	Battery 30 AMP Hour Electrolyte (Battery Acid)	21075 90665
18a	Battery Caps	400262
19	Hex Bolt 1/4" 20X5/8"	1X38
20	Screw	26X49
	Tie Strap, Wiring Harness	32618