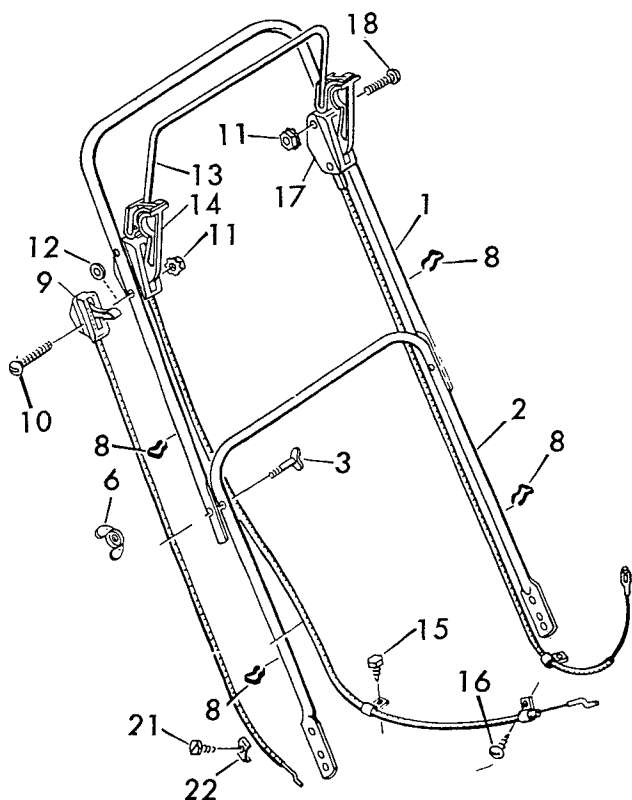


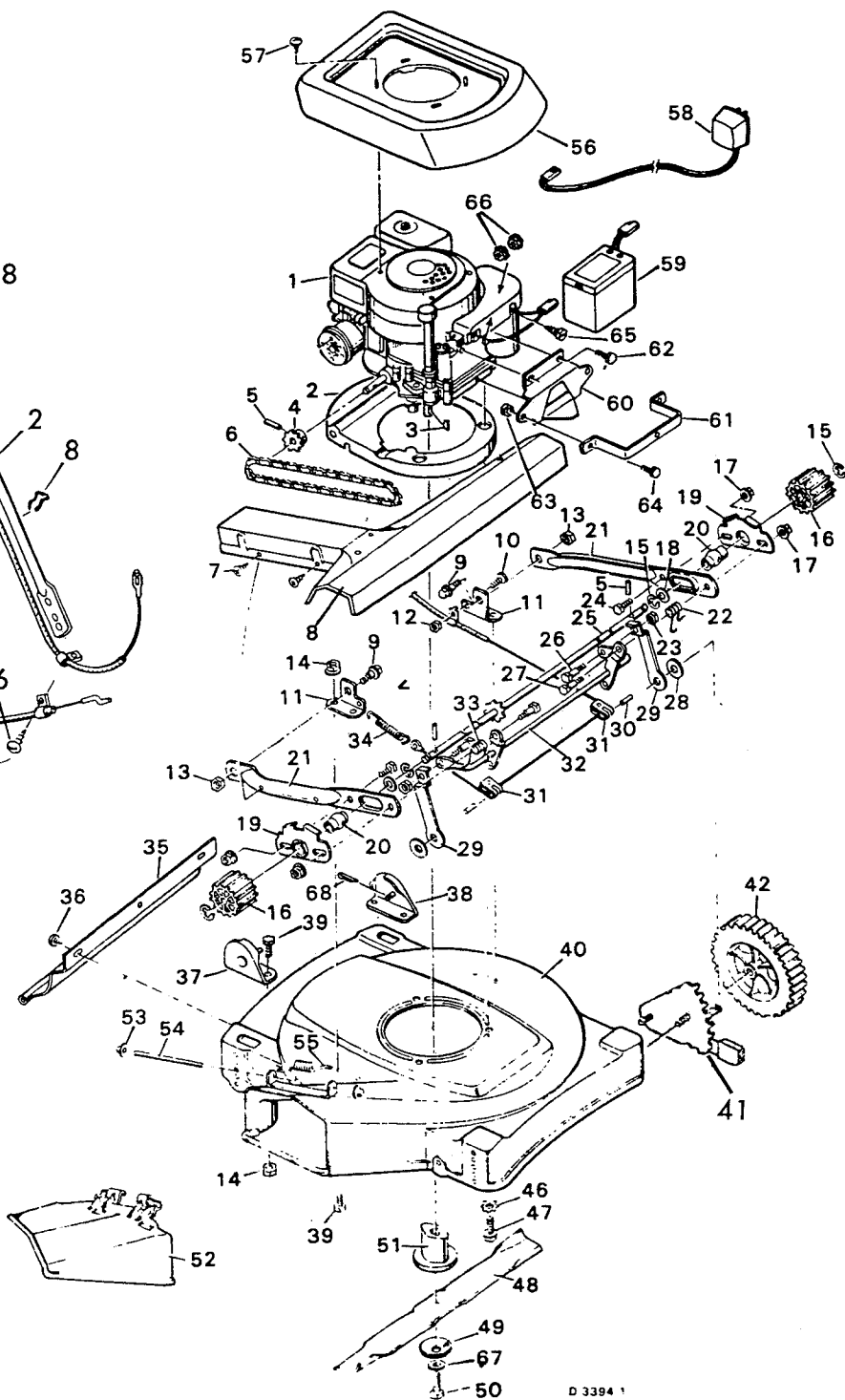
MOWER HOUSING ILLUSTRATION MODEL 4-22483 — 22"



D 3320

HANDLE PARTS LIST

KEY NO.	DESCRIPTION	PARTS NO.
1	Upper Handle	42373C
2	Lower Handle	42791C
3	Bolt for Wingnut	6X73Z
6	Wing Nut	14X83Z
8	Cable Retainer, Metal	42188
9	Throttle Control, Lever	42093
10	Bolt	3X76
11	Keps Nut	15X71
13	Engine Stop Lever	42591C
14	Starter Control	42593C
15	Screw	26X185
16	Screw	6X75
17	Drive Control Ass'y	
	Folding Handle	42751
	Drive Control Only	404070
	Cable Only	404068
18	Bolt	3X147
21	Screw	26X181
22	Clamp	20073

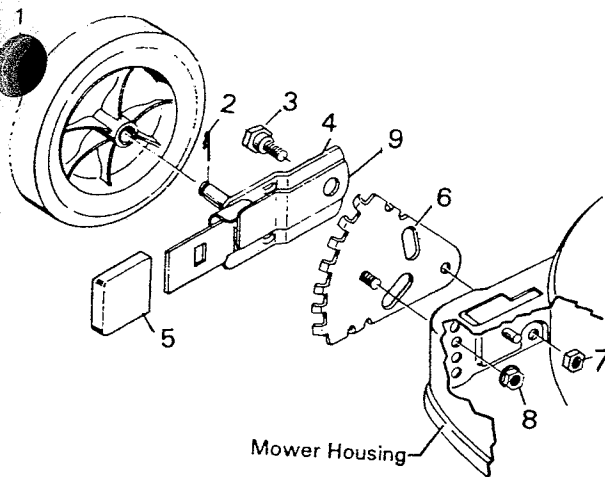


D 3394

KEY NO.	DESCRIPTION	PART NO.	KEY NO.	DESCRIPTION	PART NO.
1	Engine	----	32	Tie Rod Assembly	22989
2	Engine Base	42251E	33	Torisional Spring, R.H.	166X1
3	Woodruff Key	20062	34	Extension Spring	165X8
4	Engine Sprocket	42086	35	Rear Guard	42587
5	Spring Pin	32X64	36	Screw	26X21
6	Chain	20108	37	Folding Handle Bracket R.H.	42712
7	Screw	26X214	38	Folding Handle Bracket L.H.	42713
8	Chain & Pinion Guard Assembly	42575	39	Bolt	1X38
9	Shoulder Bolt	9X17	40	Housing for Folding Handle	70055
10	Screw	4X20	41	Wheel Adjuster See Page 33	----
11	Drive Yoke Support Bracket	42055Z	42	Wheel & Tire*	22125
12	Nut	15X71	46	Shakeproof Washer	19X8
13	Nut	15X84	47	Bolt	20102
14	Flange Locknut	15X82	48	Blade	20046
15	Retainer Ring	11X8	49	Blade Washer	17X13
16	Drive Pinion	20066	50	Bolt	1X68
17	Keps Nut	15X76	51	Blade Adapter	42346
18	Washer	17X100Z	52	Chute Deflector	20454
19	Bearing Retainer	42284Z	53	Push On Cap	28X42
20	Bearing	20048	54	Pivot Pin	22050Z
21	Drive Arm	42285Z	55	Spring	166X5
22	Torisional Spring, L.H.	166X15	56	Engine Shroud	70062
23	Flange Locknut	15X88	57	Screw	26X23C
24	Bolt	1X45	58	Battery Charger †	----
25	Drive Shaft and Sprocket, on Model W/Height Adjusters	22150Z	59	Battery †	----
26	Shoulder Bolt	9X8	60	Battery Bracket †	----
27	Shoulder Bolt	9X1	61	Battery Clamp †	----
28	Washer, on Model W/Height Adjusters	17X102Z	62	Screw	25X2
29	Wheel Connecting Lever, on Model W/Height Adjusters	22970Z	63	Nut	15X79Z
30	Spring Pin	32X70	64	Bolt	1X45
31	Bracket & Pulley Assembly	22973	65	Screw	6X75
			66	Nut	15X66
			67	Washer	17X124
			68	Cotter Pin	30X20
				Instruction Book	F-6809
				Parts Bag	42649

†Part serviced by Briggs & Stratton Engines.

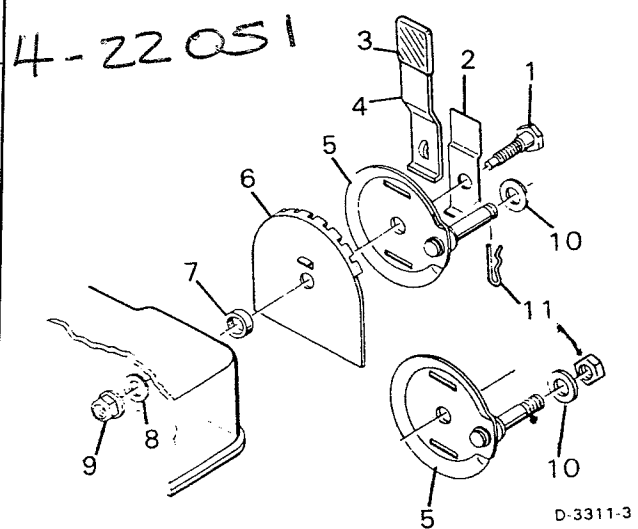
SIDE BAGGER Murray Parts Call 606-678-9623 or 606-500-1111 **MODEL 400255**
Rear Bagger-(For Right Front & Left Rear) **400256**
Rear Bagger-(For Left Front & Right Rear) **400270**



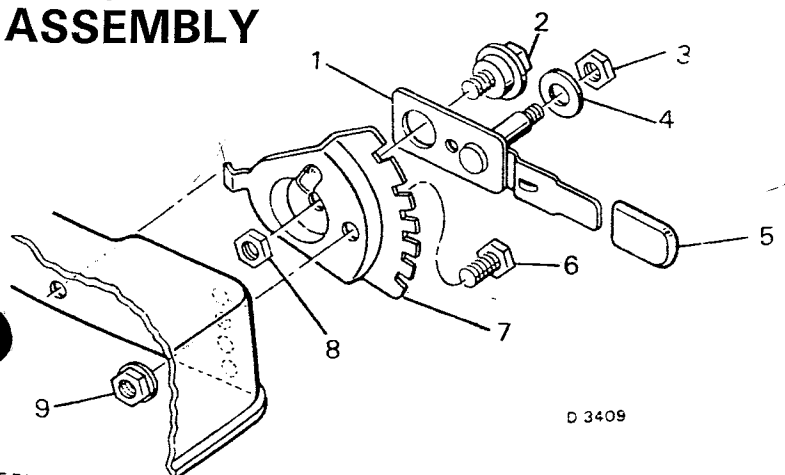
KEY NO.	MODEL 400255	MODEL 400256	MODEL 400270	DESCRIPTION
1	17X102Z	17X102Z	17X102Z	Washer
2	20101	20101	20101	Hair Pin
3	9X9Z	9X90Z	9X20Z	Shoulder Bolt
4	42342Z	42347Z	24347Z	Arm and Axle Assembly
5	20065	20065	20065	Grip
6	42343Z	42472Z	42471Z	Index Plate
7	15X12	15X12	15X12	Flange Locknut
8	15X68Z	15X68Z	15X68Z	Locknut
10	20041	20041	20041	Spring
1-10	400255	400256	400270	Complete Wheel Adjuster

Standard Wheel Adjuster Assembly
Models 400253 or 400254 - Hairpin Axle
400266 or 400267 - Threaded Axle

KEY NO.	PART NO.	DESCRIPTION
1	9X24	Shoulder Bolt
2	42330	Spring
3	42280	Grip
4	42338Z	Adjuster Lever
5	42339Z	Wheel Adjuster Bracket W/hole for hair pin
	42596Z	Wheel Adjuster Bracket W/threads for hex nut
6	42336Z	Index Plate
7	42333	Spacer
8	10851Z	Washer
9	15X84	Flange Nut
10	20X3	Washer (Ball Bearing Wheels Only)
11	20101	Hair Pin
	15X84	Hex Nut
1-11		Wheel Adjuster Assembly
		Right Front or Left Rear
	400253	W/hole in Shaft
	400266	W/Thread on Shaft
1-11		Wheel Adjuster Assembly
		Left Front or Right Rear
	400254	W/Hole in Shaft
	400267	W/Thread on Shaft



DELUXE WHEEL ADJUSTOR ASSEMBLY



KEY NO.	PART NO.	DESCRIPTION
1	42756	Adjuster Lever, Side Bagger
	42757	Adjuster Lever, Rear Bagger
2	9X26	Shoulder Bolt
3	15X84	Hex Nut
4	17X102Z	Washer
5	20065	Grip
6	1X85	Hex Bolt
7	42753Z	Index Plate-LF,RR
	42754Z	Index Plate-RF,LR
8	15X97	Hex Nut
9	15X68Z	Flange Nut
1-9	400275	Height Adj. Ass'y, Rear Bagger (For right front or left rear)
	400276	Height Adj. Ass'y, Rear Bagger (For left front or right rear)
	400277	Height Adj. Ass'y, Side Bagger (For left front or right rear)
	400278	Height Adj. Ass'y, Side Bagger (For right front or left rear)