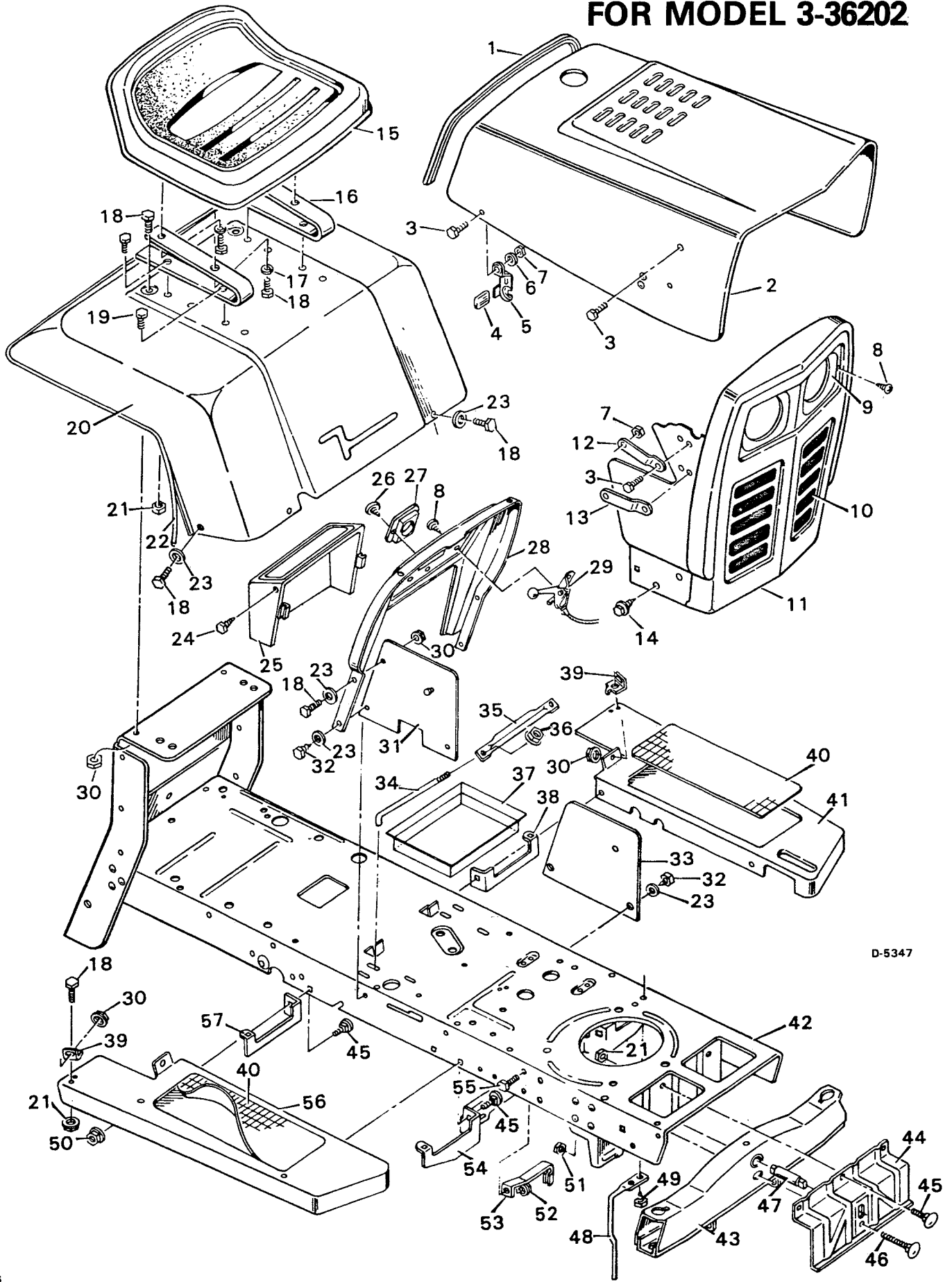


BODY PARTS DRAWING FOR MODEL 3-36202



D-5347

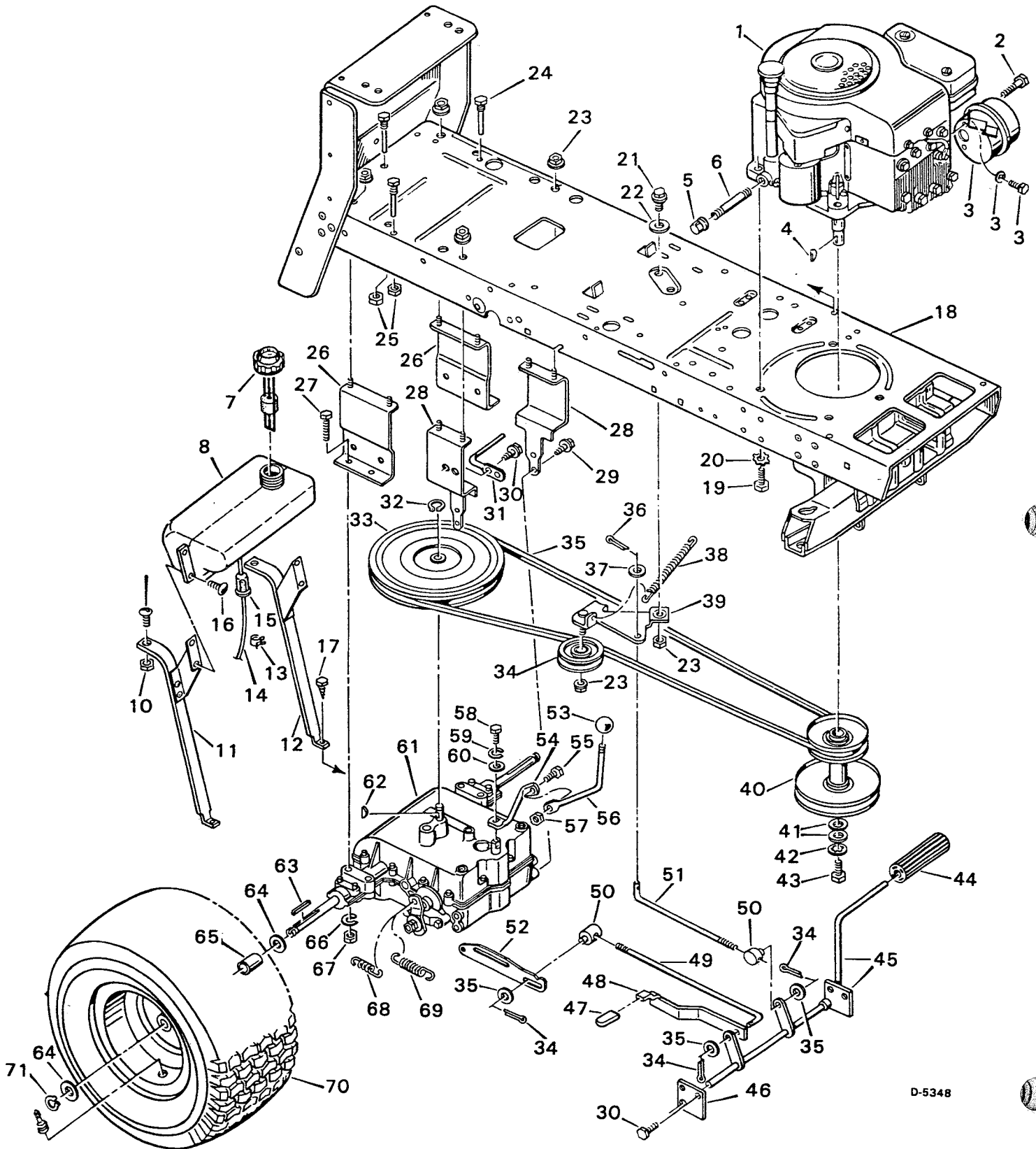
BODY PARTS LIST FOR MODELS 3-36202

KEY NO.	DESCRIPTION	PART NO.	KEY NO.	DESCRIPTION	PART NO.
1	Vinyl Edge Trim*	21765	31	R.H. Side Plate	23292
2	Hood Assembly	24084	32	Tap Screw 5/16" X 3/4	26X197
3	Machine Screw #10-24X5/8"***	4X21	33	L.H. Side Plate	24239
4	Grip-Hood Latch*	21434	34	Battery Clamp Rod	21762Z
5	R.H. Hood Latch*	21798Z	35	Battery Clamp	21761Z
--	L.H. Hood Latch*	21799Z	36	Flange Locknut 1/4"-20	15X82
6	Washer*	17X17Z	37	Battery Tray	24157
7	Hex Nut #10-24***	15X81	38	Running Board Bracket-L.H.	23391
8	Tap Screw #8X3/8"	26X159	39	Bracket	23372
9	Headlite Retainer	23303C	40	Running Board Mat	21710
10	Grille Insert	23302C	41	Running Board -L.H.	21935
11	Grille Assembly	23306	42	Frame Channel	402049
12	Pivot Bar Assembly**	23088	43	Front Axle Assembly	21441
13	Pivot Bar**	23046	44	Front Axle Hanger	23829
14	Tap Screw 3/8"X5/8"	26X202	45	Carriage Bolt 5/16"-18X5/8"	2X53
15	Seat	23884	46	Carriage Bolt 3/8"-24X3/4"	2X60
16	Seat Spring	24003	47	Pivot Pin	21469
17	Lockwasher	18X16	48	Belt Guide-Stack Pulley	23789Z
18	Hex Bolt 5/16"-18X5/8"	1X45	49	Tap Screw 5/16"X12"	26X49
19	Hex Bolt 5/16"-18X1"	1X84	50	Flange Nut 5/16"-18	15X79
20	Rear Shroud	24424	51	Flange locknut 3/8"-16	15X84
21	Flange Locknut 5/16"-18	15X79Z	52	Keps Nut 1/4"-20	15X66
22	Plastic Edge Trim	21789	53	Belt Guide-Stack Pulley	23827Z 23826
23	Washer	17X47Z	54	Running Board Support Front	23832
24	Tap Screw 1/4"X1/2"	26X214	55	Hex Bolt 1/4"-20X5/8"	1X38
25	Battery Cover	23940	56	Running Board-R.H.	23394
26	Tap Screw #10X1/2"	26X186	57	Running Board Bracket-R.H.	23390
27	Steering post Bearing	21707	--	Parts Bag	24437
28	Control Panel	23970	--	Owners Manual	6223
29	Throttle Control	24011PA			
30	Flange Nut 5/16"-18	15X79Z			

*NOTE: These numbers are included with key number 2.

**NOTE: These numbers are included with key number 11.

MOTION DRIVE PARTS DRAWING FOR MODEL 3-36202



D-5348

MOTION DRIVE PARTS LIST FOR MODEL 3-36202

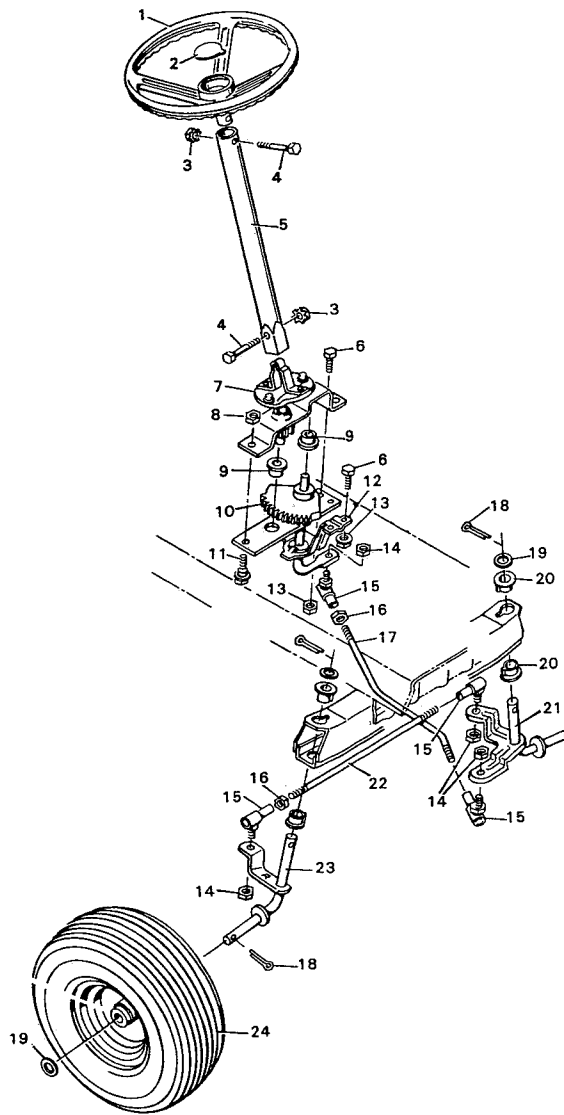
KEY NO.	DESCRIPTION	PART NO.	KEY NO.	DESCRIPTION	PART NO.
1	Engine †	-----	39	Idler Bracket Assembly	24035Z
2	Hex Bolt 5/16"-18X3/4"	1X118	40	Engine Stack Pulley	90329Z
3	Muffler	90330PA	41	Washer	10851Z
4	Woodruff Key No. 6	20062	42	Shakeproof Washer	19X39
5	Oil Drain Cap	21651	43	Hex Bolt 3/8"-24X1"	1X20
6	Oil Drain Extension	24066	44	Pedal	21544
7	Fuel Cap	24064	45	Lever Assembly-Clutch/Brake	23389
8	Fuel Tank	23300	46	Support Bracket	23358
9	Carriage Bolt 1/4"-20X3/4"	2X67	47	Grip-Parking Brake	24235
10	Flange Locknut 1/4"-20	15x89	48	Parking Brake Arm	24201Z
11	R.H. Fuel Tank Support	24334	49	Brake Rod	23375Z
12	L.H. Fuel Tank Support	24335	50	Adjusting Nut	21920
13	Hose Clamp	23713	51	Clutch Rod	24341 24449
14	Fuel Line - 7/8 inches	23715	52	Brake Link Plate	24425Z
15	Fuel Filter	24159	53	Knob-Shift Lever	20739
16	Tap Screw 1/4"X1/2"	26X214	54	Lower Shift Lever	23157Z
17	Tap Screw 5/16"X3/4"	26x197	55	Hex Bolt 5/16"-18X1"	1x84
18	Frame Channel	402049	56	Upper Shift Lever	23720Z
19	Engine Mount Bolt	20103	57	Flange Locknut 5/16"-18	15x88
20	Shakeproof Washer	19x8	58	Hex Bolt 1/4"-28X5/8"	1X82
21	Shoulder Bolt 3/8"-16X7/8"	9X12	59	Spring Lockwasher	18X32
22	Washer	17x67Z	60	Washer	17X32Z
23	Flange Locknut 3/8"-16	15X84	61	Transaxle† 801-013	801-013
24	Guide Bolt	20619	62	Woodruff Key No. 9	20697
25	Flange Nut 5/16"-18	15x79	63	Square Key 3/16"	21553
26	Rear Transaxle Bracket	23154	64	Washer	21521
27	Hex Bolt 5/16"-18X23/8"	1X99	65	Rear Axle Tube	87X63Z
28	Front Transaxle Bracket	24036	66	Spring Lockwasher	18X15
29	Threaded Formed Screw 5/16"X1"	26X207	67	Hex Nut 5/16"-18	15X2
30	Tap Screw 5/16"X1/2"	26X49	68	Extension Spring	165X20
31	Belt Guide	24030Z	69	Extension Spring	165X41
32	Retainer Ring	11X7	70	Rear Wheel and Tire	24429
33	Input Pulley	75073	*	Wheel Assembly-Less Tire	24351E
34	Backside Idler	23339	*	Tire Only	24430
35	Drive Belt	37X11	*	Valve Stem	24373
36	Cotter Pin	30x20	71	E-Ring	11X3
37	Washer	17X53Z	--	Tire Tube	407065
38	Extension Spring	165X17			

†NOTE: All parts pertaining to this Transmission or Differential are available from Tecumseh Parts and Service Centers listed in the yellow pages of the telephone directory under "Engines, Gasoline" or "Gasoline Engines".

Complete illustration of transaxle shown on page 118 & 119.

NOTE: These key numbers are included with key no. 70. When ordering replacement parts specify the brand name of the tire to insure that tread patterns on tire match.

STEERING PARTS DRAWING FOR MODEL 3-36202

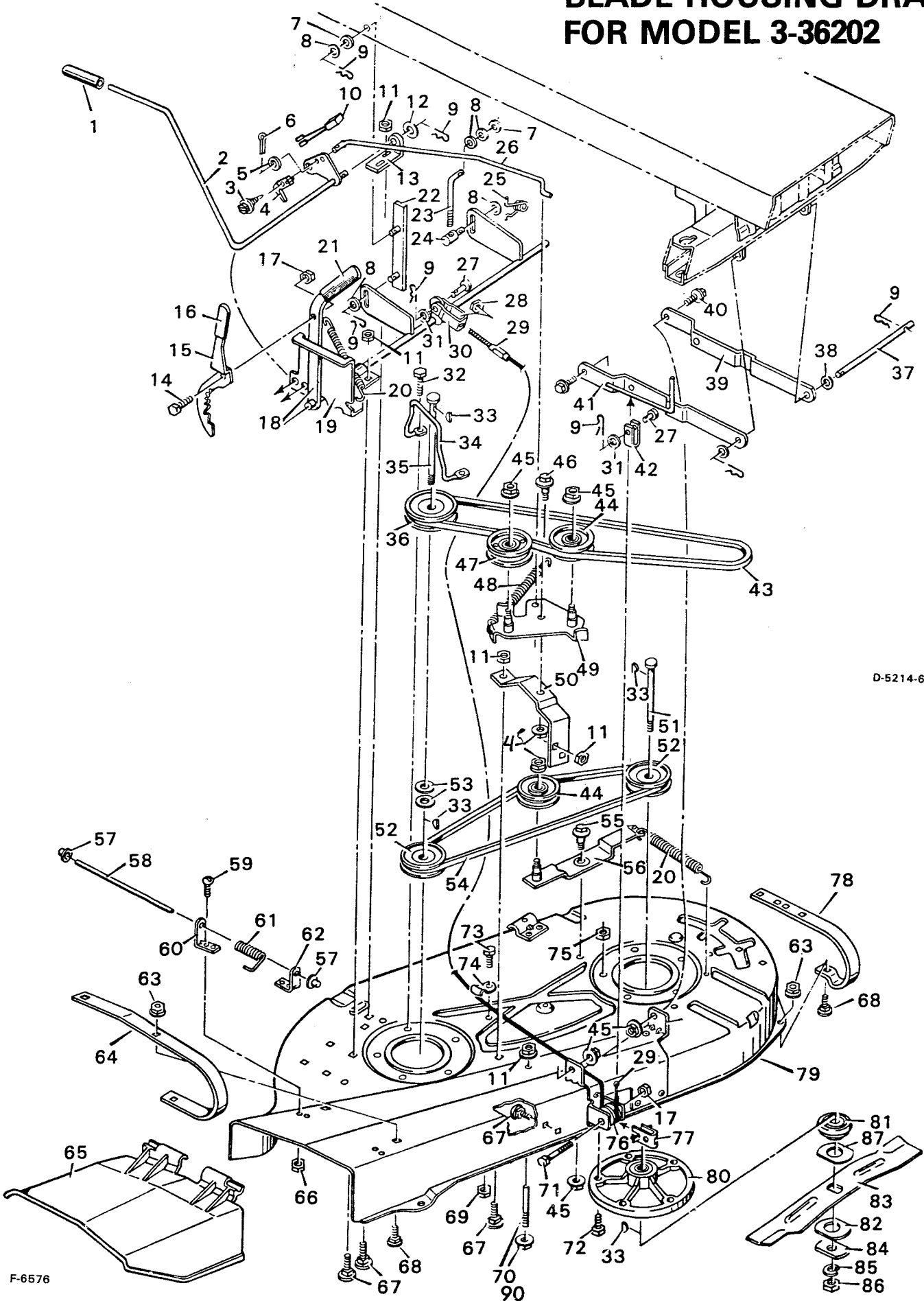


KEY NO.	DESCRIPTION	PART NO.
1	Steering Wheel	21688
2	Cap-Steering Wheel	24350
3	Keps Nut 5/16''-18	15X76
4	Hex Bolt 5/16''-18X1 3/4''	1X75
5	Steering Post	24345C
6	Hex Bolt 5/16''-18X5/8''	1X45
7	Steering Gear & Coupling Assy.	21493
8	Flange Locknut 3/8''-16	15X84
9	Bearing	20587
10	Steering Arm & Gear Assy.	21692
11	Hex Bolt 3/8''-16X 3/4''	1X85
12	Steering Bracket	21693
13	Flange Locknut 5/16''-18	15X88
14	Flange Locknut 3/8''-24	15X87Z

KEY NO.	DESCRIPTION	PART NO.
15	Ball Joint	21031
16	Hex Nut 3/8''-24	15X61
17	Drag Link Rod	21482
18	Cotter Pin	30X49
19	Washer	17X83Z
20	Spindle Bearing	23820
21	L.H. Spindle Assembly	24229
22	Tie Rod	21475
23	R.H. Spindle Assembly	24228
24	Wheel and Tire Assembly	24378
*	Tire Only	24376
*	Wheel Assembly Less Tire	24355E
*	Valve Stem	24373
*	Wheel Bearing	24367
--	Tire Tube	407047

*NOTE: These key numbers are included with key no. 24. When ordering replacement parts specify the brand name of the tire to insure that tread patterns on tire match.

BLADE HOUSING DRAWING FOR MODEL 3-36202



D-5214-6

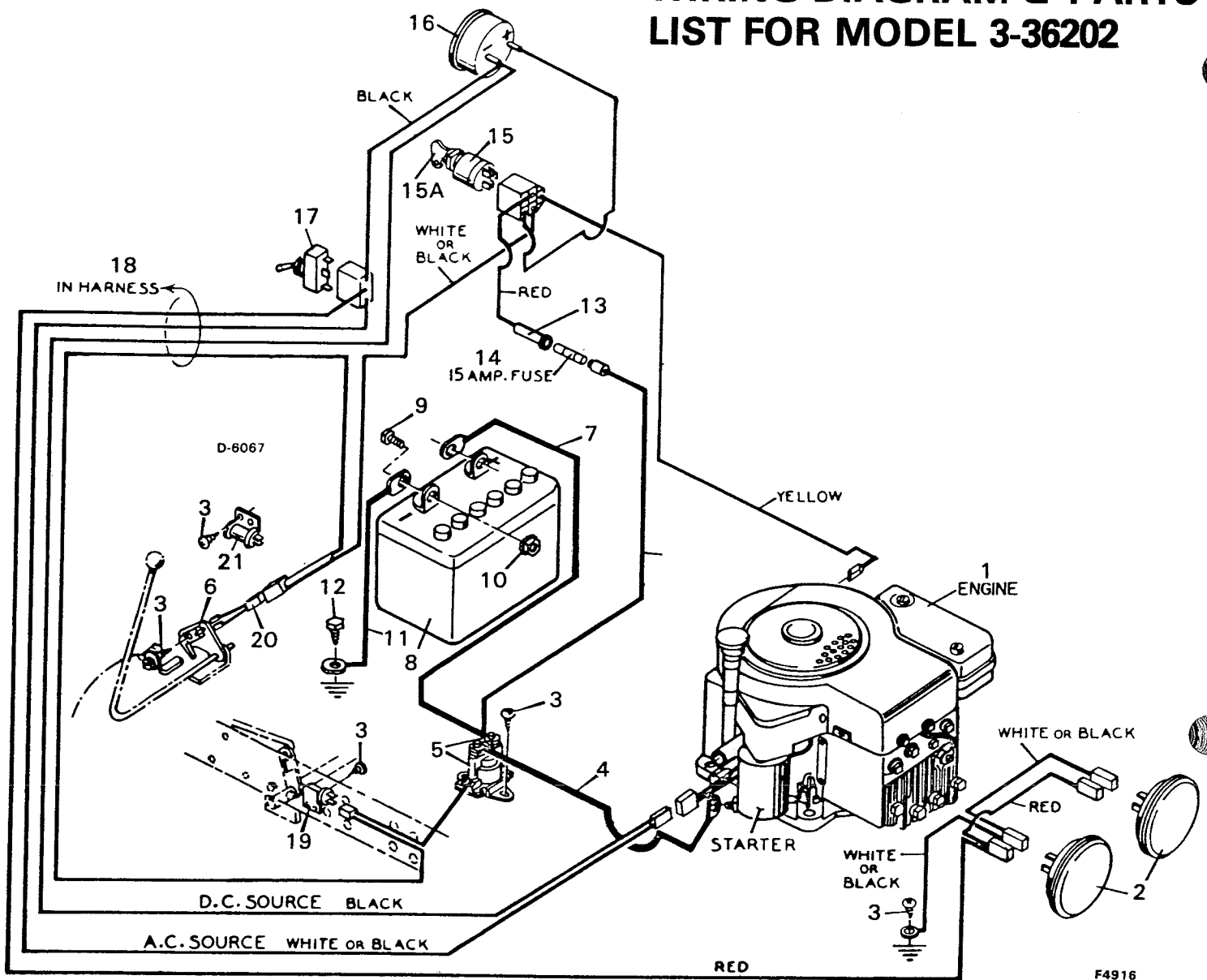
F-6576

BLADE HOUSING PARTS LIST FOR MODEL 3-36202

KEY NO.	DESCRIPTION	PART NO.	KEY NO.	DESCRIPTION	PART NO.
1	Grip-Blade Drive Lever	20476	44	Idler Pulley	20613
2	Blade Drive Lever Assembly	24439C	45	Flange locknut 3/8"-16	15x84
3	Tap Screw #10X1"	26X211	46	Shoulder Bolt 3/8"-16x7/8"	9X12
4	Limit Switch	24527	47	Idler Pulley	21409
5	Washer	17X53Z	48	Extension Spring	165X43
6	Cotter Pin	30X20	49	Blade Drive Idler Assembly	24343
7	Washer	10851Z	50	Bracket-Idler Support*	21496
8	Washer	17X124	51	Jackshaft-Short	20616
9	Hair Pin	20692	52	Jackshaft Pulley	21022
10	Jumper Wire	23984	53	Washer	17X87Z
11	Flange Nut 5/16"-18 *	15X79	54	Belt-Cross Drive	37X3
12	Washer	17X67Z	55	Shoulder Bolt 3/8"-16X7/8"	9X15Z
13	Bracket *	20934	56	Cross Drive Idler Bracket	21139Z
14	Shoulder Bolt 1/4"-20x7/16"	6x46	57	Push on Cap	28X23
15	Lifter Latch	21591Z	58	Deflector Rod	21198Z
16	Grip-Lifter Latch	20476	59	Machine Screw #10-24x1/4"	4X68
17	Hex Locknut 1/4"-20	15X67	60	Deflector Bracket-Rear *	21187
18	Lifter Assembly *	21906	61	Torisional Spring	166X4
19	Lifter Bracket *	21500	62	Deflector Bracket-Front *	21186
20	Extension Spring	165X2	63	Flange Locknut 1/4"-20 *	15x82
21	Grip-Lifter Assembly	21249	64	Skid-R.H. *	90392
22	Hanger Bracket-R.H.	23251Z	65	Chute Deflector	21154
23	Adjusting Rod	21918Z	66	Hex Nut #10-24 *	15x81
24	Adjusting Nut	21920	67	Carriage Bolt 5/16"-18X5/8" *	2X53
25	Torisional Spring	166X16	68	Carriage Bolt 1/4"-20X9/16" *	2X39
26	Clutch Rod Assembly	24341Z	69	Keps Nut 1/4"-20	15X66
27	Clevis Pin	29X93	70	Belt Guide Assembly	24178
28	Hex Nut 5/16"-18	15X2	71	Hex Bolt 1/4"-20X1 3/4"	1X90
29	Lifter Cable	21913	72	Hex Bolt 5/16"-18X1"	1X84
30	Adjusting Clevis	21915Z	73	Hex Bolt 1/4"-20X5/8"	1X38
31	Washer	17X47Z	74	Cable Guide	21953z
32	Hex Bolt 5/16"-18X1 1/2"	1X102	75	Flange Locknut 5/16"-18	15X88
33	Woodruff Key No. 6	20062	76	Nylon Pulley	21916
34	Belt Guide	23769Z	77	Cable Guide	21917Z
35	Jackshaft-Long	21024	78	Skid-L.H. *	90353
36	Pulley	23538	79	Blade Housing	90388
37	Pull Pin	21912Z	80	Jackshaft Housing	24384
38	Washer	17X57Z	81	Blade Adapter	20617
39	Support Arm	21911	82	Washer	21673Z
40	Shoulder Bolt 3/8"-16X7/8"	9X14Z	83	Blade	20930
41	Support Arm Assembly	23256	84	Washer	20663z
42	Clevis	24073Z	85	Spring Lockwasher	18X27
43	Belt-Blade Drive	37X24	86	Hex Nut 1/2"-20	15X72
			87	Washers	24614Z
			--	Complete Blade Housing Assembly	403132

**NOTE: These key numbers are included with key no. 79

WIRING DIAGRAM & PARTS LIST FOR MODEL 3-36202



PARTS LIST

KEY NO.	DESCRIPTION	PART NO.	KEY NO.	DESCRIPTION	PART NO.
1	Engine 11 HP (Briggs)	----	12	Screw 5/16X1/2	26X49
2	Seal Beam Light	23757	13	Fuse Holder	407058
3	Screw #10X3/8"	26X185	14	Fuse 15 Amp.	23752
4	Battery Cable	24X12	15	Switch and Key	21064PA
5	Solenoid	24285	15A	Key Only	20729
6	Limit Switch	24527	16	Ammeter Assembly	21057PA
7	Battery Cable and Fuse Wire-Red	24x14	17	Light Switch	21686Pa
8	Battery	21075	18	Wiring Harness	24061
*	Electrolyte	21079	19	Limit Switch	21549
--	Battery Caps	400262	20	Jumper Wire	23984
9	Bolt 1/4"-20X5/8"	1X38	21	Limit Switch	23029
10	Locknut 1/4"-20	15x66	*	Wire Clamp	21980
11	Battery Cable-Black	24X6			

*Not Illustrated