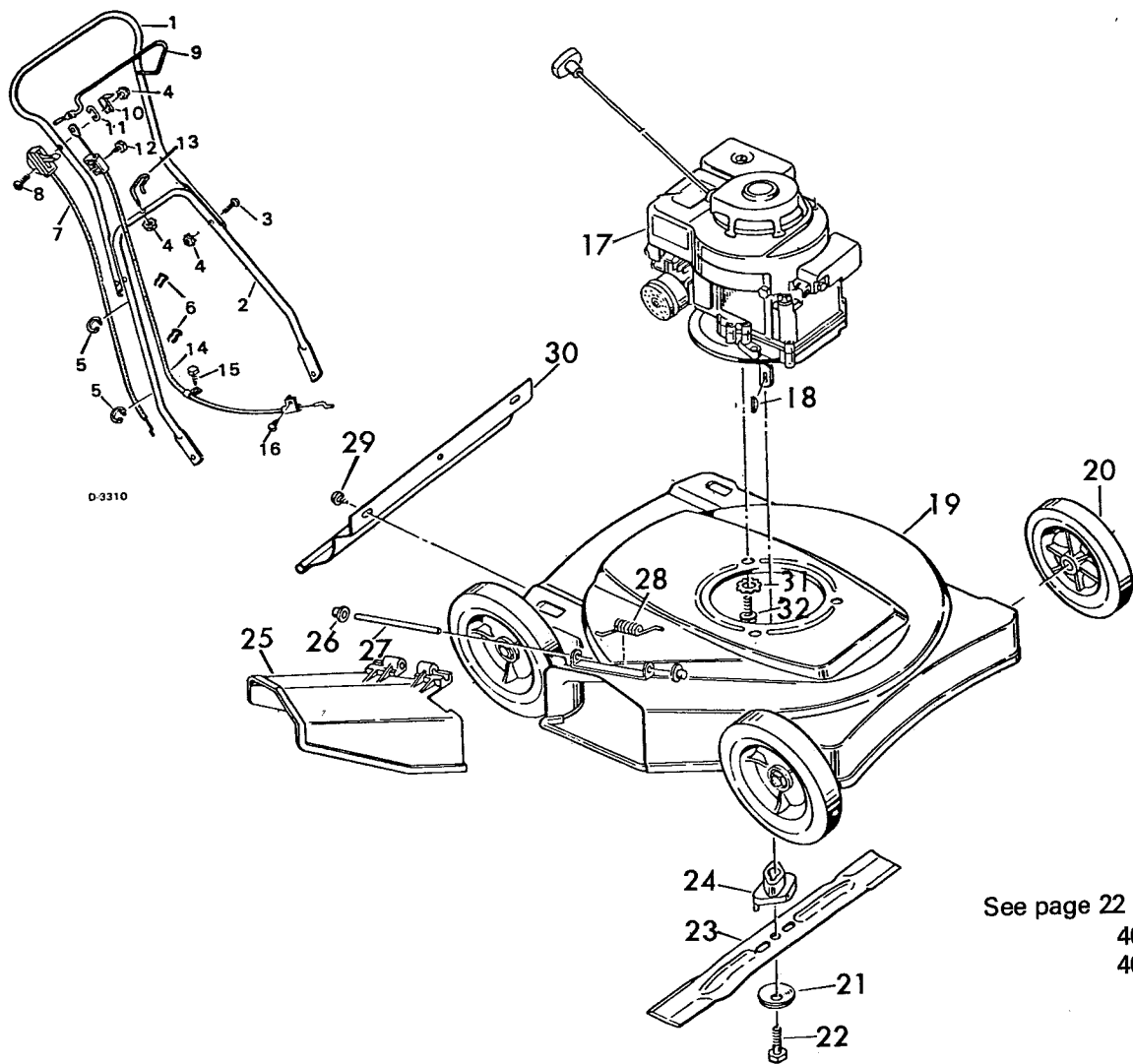


MODEL 3-22351 22" MOWER HOUSING ILLUSTRATION

MOWER HOUSING



See page 22 for Height Adjuster.

400253
400254

D-3313-1

KEY NO.	DESCRIPTION	PARTS NO.	KEY NO.	DESCRIPTION	PARTS NO.
1	Upper Handle	42371C	18	Woodruff Key	20062
2	Lower Handle	42562C	19	Housing-for Non-folding Handle	70054
3	Bolt	3X136Z	20	Wheel and Tire	42172
4	Keps Nut	15X66	21	Blade Washer	17X137
5	Plastic Cable Clamp	22550	22	Hex Bolt	1X68
6	Cable Retainer, Metal	42188	23	Blade	20046
7	Throttle Control, Slide	42096	* 24	Blade Adapter	20050
8	Bolt	3X105	25	Chute Deflector	20454
9	Engine Stop Lever	42386C	26	Push On Cap	28X42
10	Handle Stop	42368Z	27	Pivot Pin	22050Z
11	Hook	75079	28	Spring	166X5
12	Screw	26X220	29	Screw	26X219
13	U-Bolt	42361Z	30	Rear Guard	42587
14	Engine Stop Cable	42363	31	Washer	19X8
15	Screw	26X184	32	Engine Bolt	20103
16	Screw	6X75		Parts Bag	42602
17	Engine	---		Owners Manual	F-6234

See page 23 for more information.
F-6576

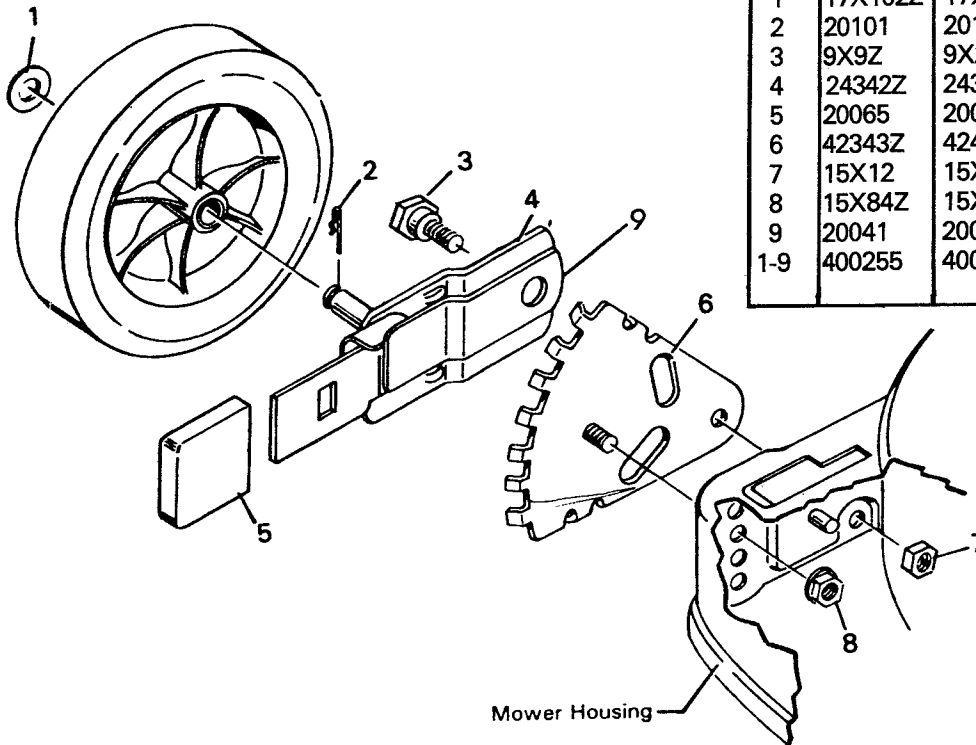
DELUXE WHEEL ADJUSTER ASSEMBLY

MODEL 400255 — SIDE BAGGER

400256 — REAR BAGGER - (FOR RIGHT FRONT & LEFT REAR)

400270 — REAR BAGGER - (FOR LEFT FRONT & RIGHT REAR)

KEY NO.	MODEL 400255	MODEL 400256	MODEL 400270	DESCRIPTION
1	17X102Z	17X102Z	17X102Z	Washer
2	20101	20101	20101	Hair Pin
3	9X9Z	9X20Z	9X20Z	Shoulder Bolt
4	24342Z	24347Z	24347Z	Arm & Axle Assembly
5	20065	20065	20065	Grip
6	42343Z	42472Z	42471Z	Index Plate
7	15X12	15X12	15X12	Flange Locknut
8	15X84Z	15X84Z	15X84Z	Locknut
9	20041	20041	20041	Spring
1-9	400255	400256	400270	Complete Wheel Adjuster



STANDARD WHEEL ADJUSTER ASSEMBLY MODELS 400253 OR 400254

KEY NO.	PART NO.	DESCRIPTION
1	9X24	Shoulder Bolt
2	42330	Spring
3	42331	Grip
4	42338Z	Adjuster Lever
5	42339Z	Wheel Adjuster Bracket
6	42336Z	Index Plate
7	42333	Spacer
8	10851Z	Washer
9	15X84	Flange Nut
10	17X122Z	Washer
11	20101	Hair Pin
1-10	400253	Wheel Adjuster Assembly Right Front or Left Rear
1-10	400254	Wheel Adjuster Assembly Left Front or Right Rear

