

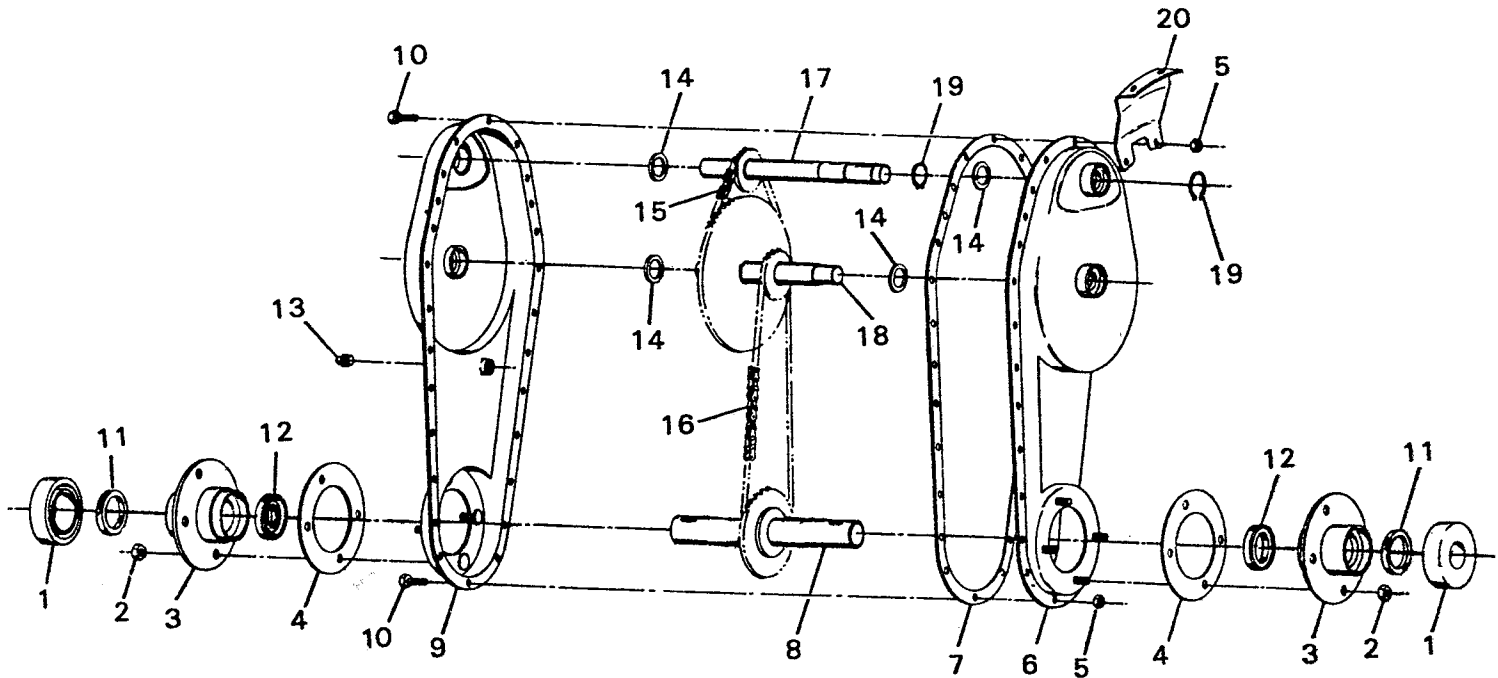
PARTS LIST FOR MODEL 3-13450 REAR MOUNT TILLER

KEY NO.	DESCRIPTION	PART NO.	KEY NO.	DESCRIPTION	PART NO.
1	Engine †	---	30	Push On Cap	28X42
2	Shoulder Bolt ¼"-20X3¼"	9X21	31	Clutch Control Bracket	75412Z
3	Hex Bolt 5/16"-18X1½"	1X102	32	L.H. Guide Bracket	75039
4	Set Screw	23X48	33	Hex Bolt 5/16"-18X3/4"	1X91
5	Square Key 3/16"	21553	34	Tine Shield Ass'y	75472
6	Pulley	75474	35	Keps Nut ¼"-20	15X66
7	Caution Flag Ass'y	75468	36	Drive Belt	37X32
8	Flange Locknut ¼"-20	15X86	37	Idler Pulley	75149
9	Shoulder Bolt 3/8"-16X7/8"	9X13	38	Idler Bracket Ass'y	75475Z
10	Flange Locknut 3/8"-16	15X84	39	Chassis—L.H.	75515
11	R.H. Guide Bracket	75038	40	Idler Spring	165X30
12	Hex Bolt ¼"-20X7/8"	1X95	* 41	Transmission	75407
13	Woodruff Key No. 61	21539	42	Chassis R.H.	75514
14	Bracket, Belt Guide Idler	75442	43	Hex Bolt 3/8"-16¾"	1X97
15	Latch Grip	20476	44	Clevis Pin	29X98
16	Shoulder Bolt 5/16"-18X11/16"	9X8	45	Spring Pin	75061
17	Clutch Lever	75411Z	46	R.H. Tine & Hub Ass'y	75500
18	Hex Bolt 5/16"-18X1"	1X84	47	L.H. Tine & Hub Ass'y	75499
19	Hair Pin	75336	48	R.H. Rear Guard Ass'y	75511
20	Hitch Bracket Ass'y	75429	49	L.H. Rear Guard Ass'y	75512
21	Spring, Extension	165X29	50	Rear Guard Connecting Pin	75513Z
22	Flange Locknut 5/16"-18	15X88	51	Frame Extension Ass'y	75507
23	Screw	26X214	52	Pivot Arm Ass'y	75508
24	Belt Guard & Throttle Control Ass'y	404064	53	Adjuster Lever	75506
25	Knob-Throttle Control	20339	54	Wheel & Tire 8X175 Plas "T" Trd.	42173 2010†
26	Retainer Ring	11X7	55	Shoulder Bolt	9X6
27	Input Pulley	21410	56	Washer	10851Z
28	Shoulder Bolt 3/8"-16X7/8"	9X15	57	Pin	75335
29	Clutch Rod Ass'y	75415	--	Parts Bag	75454
			--	Owners Manual	F-6137

†NOTE: Your Engine Model, Type and Code Number is stamped on Blower Housing. Replacement Parts may be obtained from the nearest Briggs & Stratton Service Center.

* See Page 108 for Replacement Parts.

TRANSMISSION MODEL 75199 – 75407



KEY NO.	MODEL 3-75199 PART NO.	MODEL 3-75407 PART NO.	DESCRIPTION
1	75014	75014	Dust Cap
2	15X88	15X88	Flange Locknut (.31-18NC)
3	75194	75194	Flange and Bearing Assembly
4	75015	75015	Flange Gasket
5	15X89	15X89	Flange Locknut (.25-20NC-2)
6	75033	75432	Left Hand Drive Housing and Bearing Assembly
7	75030	75030	Drive Housing Gasket
8	75203	75403	Tine Shaft Assembly
9	75032	75433	Right Hand Drive Housing and Bearing Assembly
10	1X119	1X119	Hex Bolt (.25-20NCX.625 Grade 8)
11	75013	75013	Felt Washer
12	75029	75029	Rubber Seal
13	75088	75088	Plug-Transmission Oil
14	75031	75031	Thrust Washer
15	75115	75415	Chain and Link Assembly
16	75114	75414	Chain and Link Assembly
17	75139	75017	Input Shaft Assembly (for 75165)
18	75016	75016	Idler Shaft Assembly
19	11X7	11X7	Retainer Ring (.625 D Shaft)
20	75104	75442	Rear Belt Guard Bracket