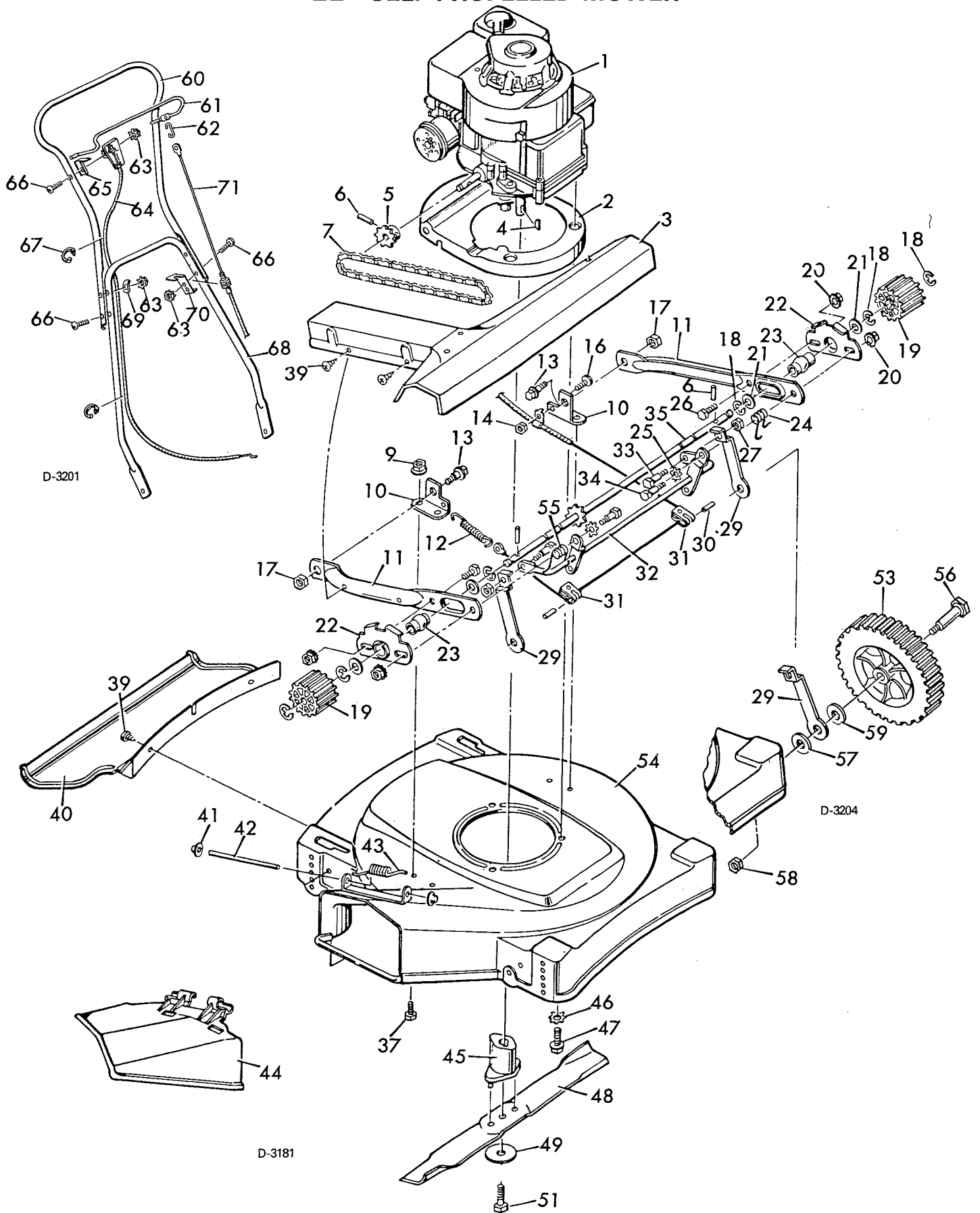


**MODEL 82-22410**  
**22" SELF-PROPELLED MOWER**



D-3201

D-3204

D-3181

**MODEL 82-22410**

Key No.	Model 82-22410 Part No.	Description	Key No.	Model 82-22410 Part No.	Description
1	----	Engine	37	1X38Z	Hex Bolt
2	42251E	Engine Base	39	26X185	Screw
3	402014	Chain & Pinion Guard Assembly	40	407018	Rear Guard
4	20062	Woodruff Key	41	28X42	Push-On-Cap
5	42086	Engine Sprocket	42	22050Z	Pivot Rod
6	32X64	Spring Pin	43	166X5	Torsion Spring
7	20108	Roller Chain	44	20454	Chute Deflector
9	15X82	Flange Locknut	45	20051	Blade Adapter
10	22953Z	Drive Yoke Support Bracket	46	19X8	Shakeproof Washer
11	22963Z	Drive Arm	47	20102	Engine Bolt
12	165X8	Spring	48	20046	Blade
13	9X17	Shoulder Bolt	49	17X137Z	Blade Washer
14	15X51Z	Hex Nut	51	1X69	Blade Mounting Bolt
16	4X20Z	Machine Screw	53	20105	Wheel
17	15X84	Hex Nut	54	70040	Mower Housing
18	11X8	E-Ring	55	166X14	Torsion Spring R.H.
19	20066	Drive Cog	56	9X6	Axle Bolt-Front
20	15X76	Flange Locknut	56	9X10Z	Axle Bolt-Rear
21	17X100Z	Washer	57	10851Z	Washer
22	22974Z	Bearing Retainer	58	15X68Z	Flange Nut
23	20048	Bearing	59	22941	Spacer
24	166X15	Torsion Spring - L.H.	60	42194C	Upper Handle
25	19X6	Shakeproof Washer	61	22958Z	Clutch Control Handle
26	1X45	Hex Bolt			
27	15X88	Hex Nut	62	75079	Clutch Cable Clip
29	22954Z	Wheel Connecting Lever	63	15X66	Keps Nut 1/4"-20
30	32X70	Spring Pin	64	22058	Throttle Control-Side Action
31	22973	Bracket and Pulley Assembly			
32	22989Z	Tie Rod Assembly	65	22975Z	Handle Stop Bracket
33	9X8	Bolt	66	3X136Z	Screw 1/4'-20X1-1/2"
34	9X1	Bolt	67	22550	Cable Clamp
35	22983Z	Drive Shaft & Sprocket Assembly	68	42197C	Lower Handle
			69	17X132	Formed Washer
			70	22968Z	Cable Bracket
			71	22992	Clutch Cable
				42119	Parts Bag Assembly
				F-5613	Owners Manual