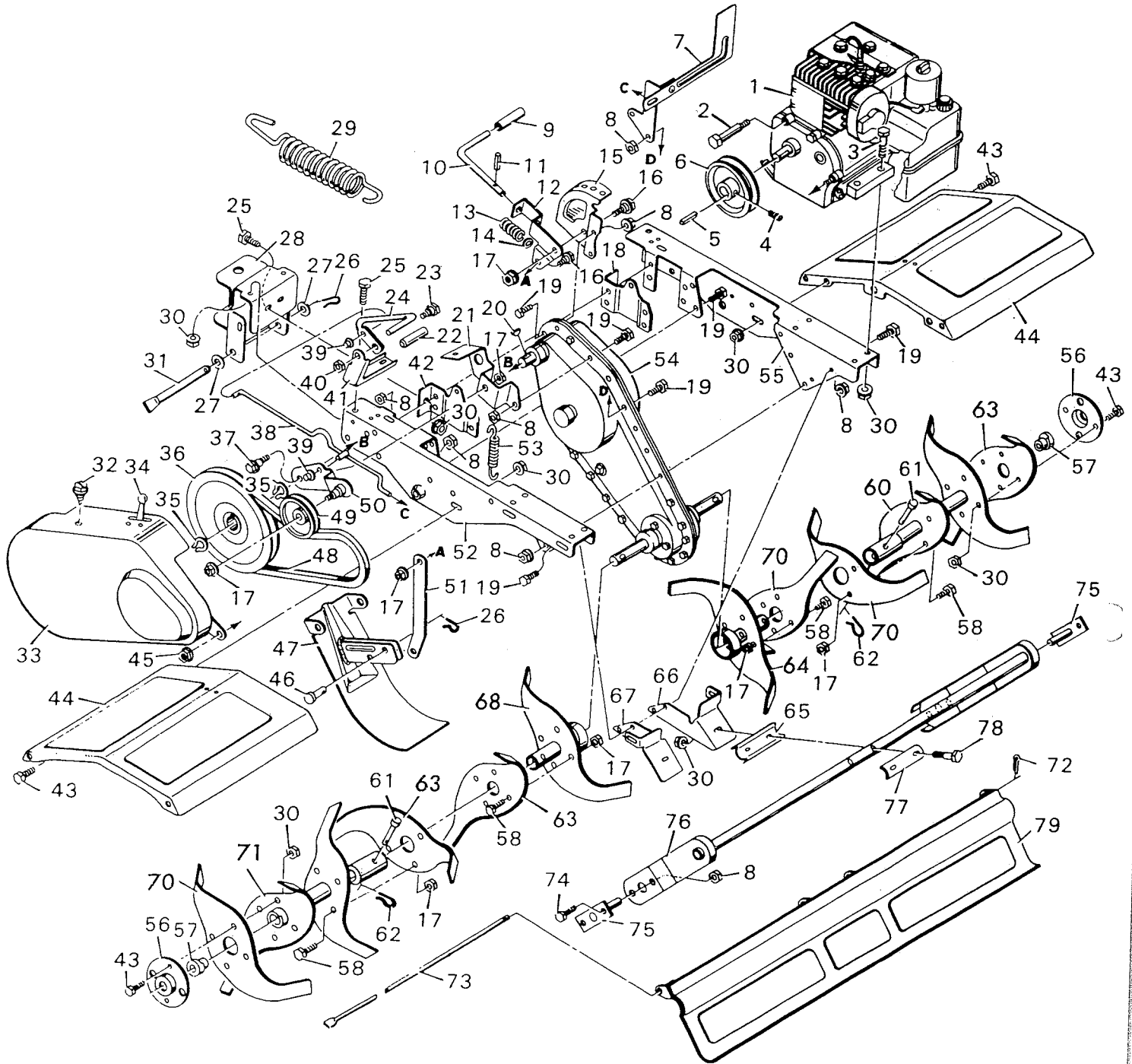


# TRACTOR TILLER REPLACEMENT PARTS ILLUSTRATION MODEL 82-13450



**TRACTOR TILLER  
REPLACEMENT PARTS ILLUSTRATION  
MODEL 82-13450**

KEY NO.	PART NO.	DESCRIPTION	KEY NO.	PART NO.	DESCRIPTION
1	-----	Engine †	42	75039	L.H. Guide Bracket
2	9X21	Shoulder Bolt ¼"-20X3¼"	43	1X91	Hex Bolt 5/16"-18X¾"
3	1X102	Hex Bolt 5/16"-18X1-½"	44	75480	Tine Shield Assembly
4	23X48	Set Screw	45	15X66	Keps Nut ¼"-20
5	21553	Square Key 3/16"	46	29X97	Clevis Pin
6	75474	Pulley	47	75451	Skid Plate Assembly
7	75468	Caution Flag Assembly	48	37X32	Drive Belt
8	15X89	Flange Locknut 1/4"-20	49	75149	Idler Pulley
9	75447	Grip	50	75475Z	Idler Bracket Assembly
10	75444Z	Adjuster Arm	51	75443	Lift Bar
11	32X75	Roll Pin	52	75063	Chassis - L.H.
12	75445Z	Adjuster Lock	53	165X30	Idler Spring
13	164X10	Spring-Height Adjuster	54	75406	Transmission * *
14	17X106	Washer	55	75224	Chassis - R.H.
15	75453Z	Index Plate	56	75487Z	Bearing Retainer
16	9X12	Shoulder Bolt 3/8"-16X7/8"	57	75496	Tine Support Bearing
17	15X84	Flange Locknut 3/8"-16	58	1X85	Hex Bolt 3/8"-16X3/4"
18	75038	R.H. Guide Bracket	59	75409	Tine Stamped "Z"
19	1X95	Hex Bolt ¼"-20 X 7/8"	60	75420	Tine & Hub Weld Assy. Right Outside
20	21539	Woodruff Key No. 61			
21	75442	Bracket, Belt Guide & Idler	61	29X98	Clevis Pin
22	20476	Latch Grip	62	75061	Spring Pin
23	9X8	Shoulder Bolt 5/16"-18X11/16"	63	75408	Tine, Roto Tiller — Stamped "X"
24	75411Z	Clutch Lever	64	75215	R.H. Tine & Hub Weld Assembly
25	1X84	Hex Bolt 5/16"-18X1"	65	75045Z	Handle Bracket
26	75336	Hair Pin	66	75492Z	Tine Support Bracket - R.H.
27	17X102Z	Washer	67	75491Z	Tine Support Bracket - L.H.
28	75427	Hitch Bracket Assembly	68	75213	L.H. Tine & Hub Weld Assembly
29	165X29	Spring — Depth	69	75408	Tine Stamped "X"
30	15X88	Flange Locknut 5/16"-18	70	75409	Tine, Roto Tiller — Stamped "Z"
31	75452Z	Skid Plate Pin	71	75418	Tine Hub Weld Assy. Left Outside
32	26X214	Screw	72	30X20	Cotter Pin
33	404064	Belt Guard & Throttle Control Assy.	73	75485Z	Axle Assembly
34	20339	Knob — Throttle Control	74	1X38	Hex Bolt ¼"-20X5/8"
35	11X7	Retainer Ring	75	75488Z	Axle Assembly
36	21410	Input Pulley	76	75495Z	Tine Support Assembly
37	9X15	Shoulder Bolt 3/8"-16X7/8"	77	75046Z	Handle Clamp
38	75415Z	Clutch Rod Assembly	78	1X98	Hex Bolt 5/16"-18X1-3/4"
39	28X42	Push On Cap	79	75484	Rear Guard Assembly
40	15X43Z	Stover Locknut 5/16"-18	*	F-5562	Owner's Manual
41	75412Z	Clutch Control Bracket		75461	Parts Bag Assembly Complete
				75462	Parts Bag Assembly Hardware

\*Not Illustrated.

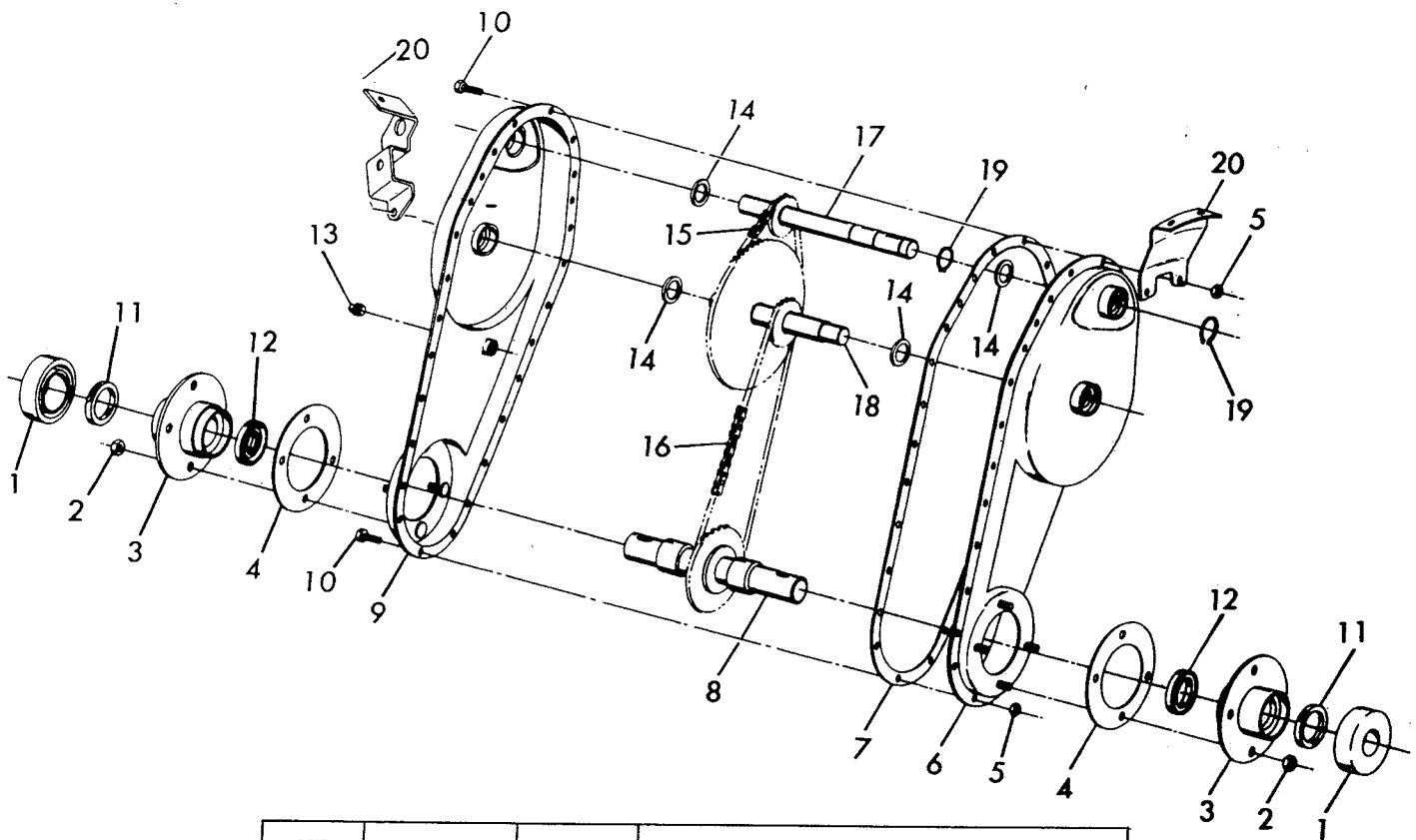
†NOTE: The Model, Type and Code Number of your Engine is stamped on the Blower Housing. Replacement parts may be obtained from the nearest Briggs & Stratton Service Center listed in the yellow pages of the Telephone Directory.

\*\*For service to the transmission see your nearest authorized service center by the manufacturer of this unit listed in the yellow pages of the Telephone Directory.

Transmission Parts List, page 88.

For Murray Parts Call 606-678-9623 or 606-561-4983

**MODEL 75206 TRANSMISSION FOR 82-13051**  
**MODEL 75406 TRANSMISSION FOR 82-13450**



KEY NO.	MODEL NO. 75206	MODEL NO. 75406	DESCRIPTION
1	75014	75014	Dust Cap
2	15X88Z	15X88	Flange Locknut (.31-18NC)
3	75179	75179	Flange and Bearing Assembly
4	75015	75015	Flange Gasket
5	15X89Z	15X89	Flange Locknut (.25-20NC-2)
6	75033	75432	Left Hand Drive Housing and Bearing Assembly
7	75030	75030	Drive Housing Gasket
8	75204	75404	Tine Shaft Assembly
9	75032	75433	Right Hand Drive Housing and Bearing Assembly
10	1X119	1X119	Hex Bolt (.25-20NCX.625 Grade 5)
11	75013	75013	Felt Washer
12	75029	75029	Rubber Seal
13	75088	75088	Pipe Plug
14	75031	75031	Thrust Washer
15	75115	75115	Chain and Link Assembly
16	75114	75114	Chain and Link Assembly
17	75139	75017	Input Shaft Assembly
18	75016	75016	Idler Shaft Assembly
19	11X7	11X7	Retainer Ring (.625 D Shaft)
20	75104	75442	Bracket, Belt Guide & Idler
21	1X95	1X95	Hex Bolt 1/4"-26X7/8"