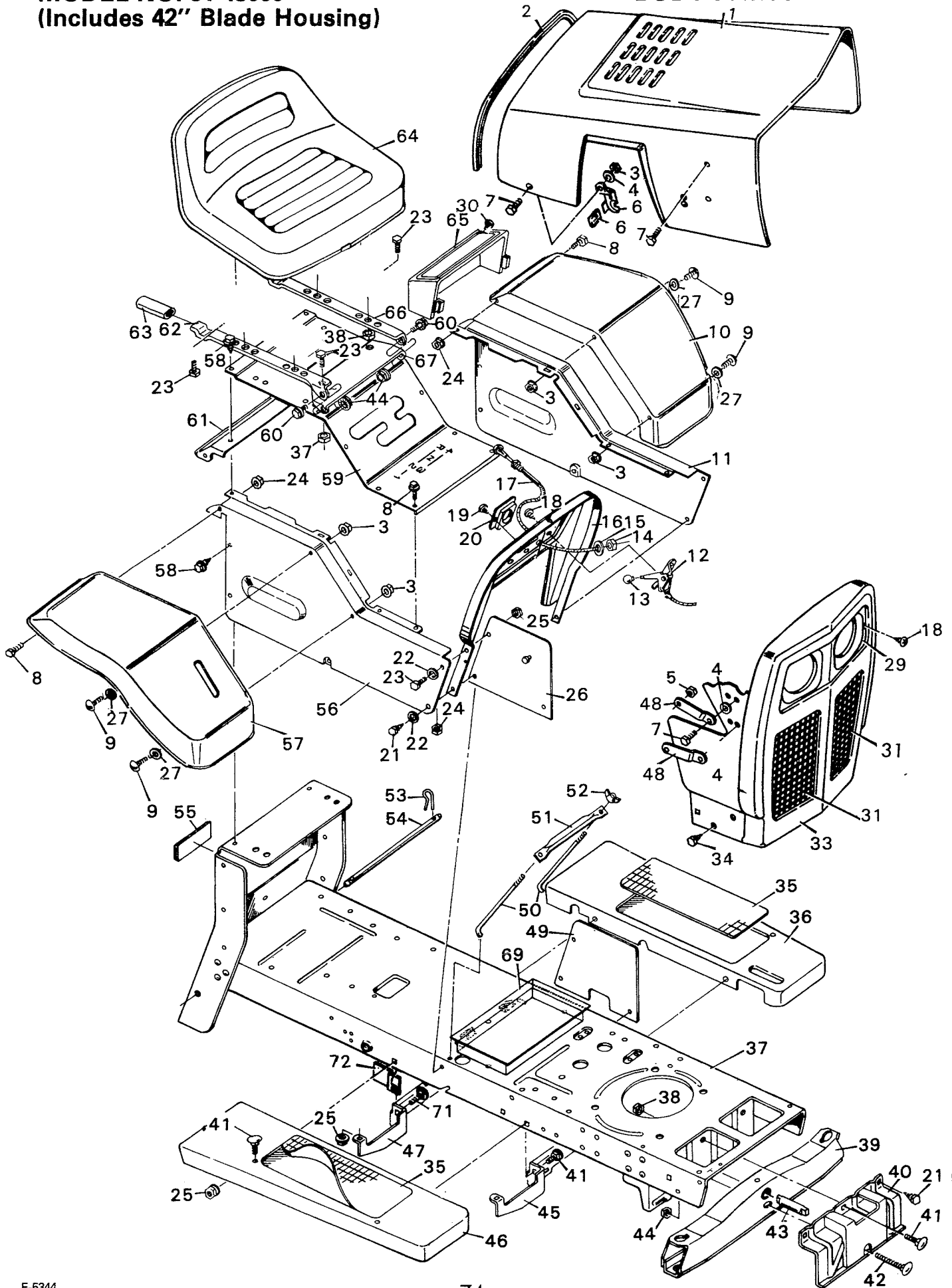


MODEL NO. 81-43660
(Includes 42" Blade Housing)

BODY PARTS ASSEMBLY

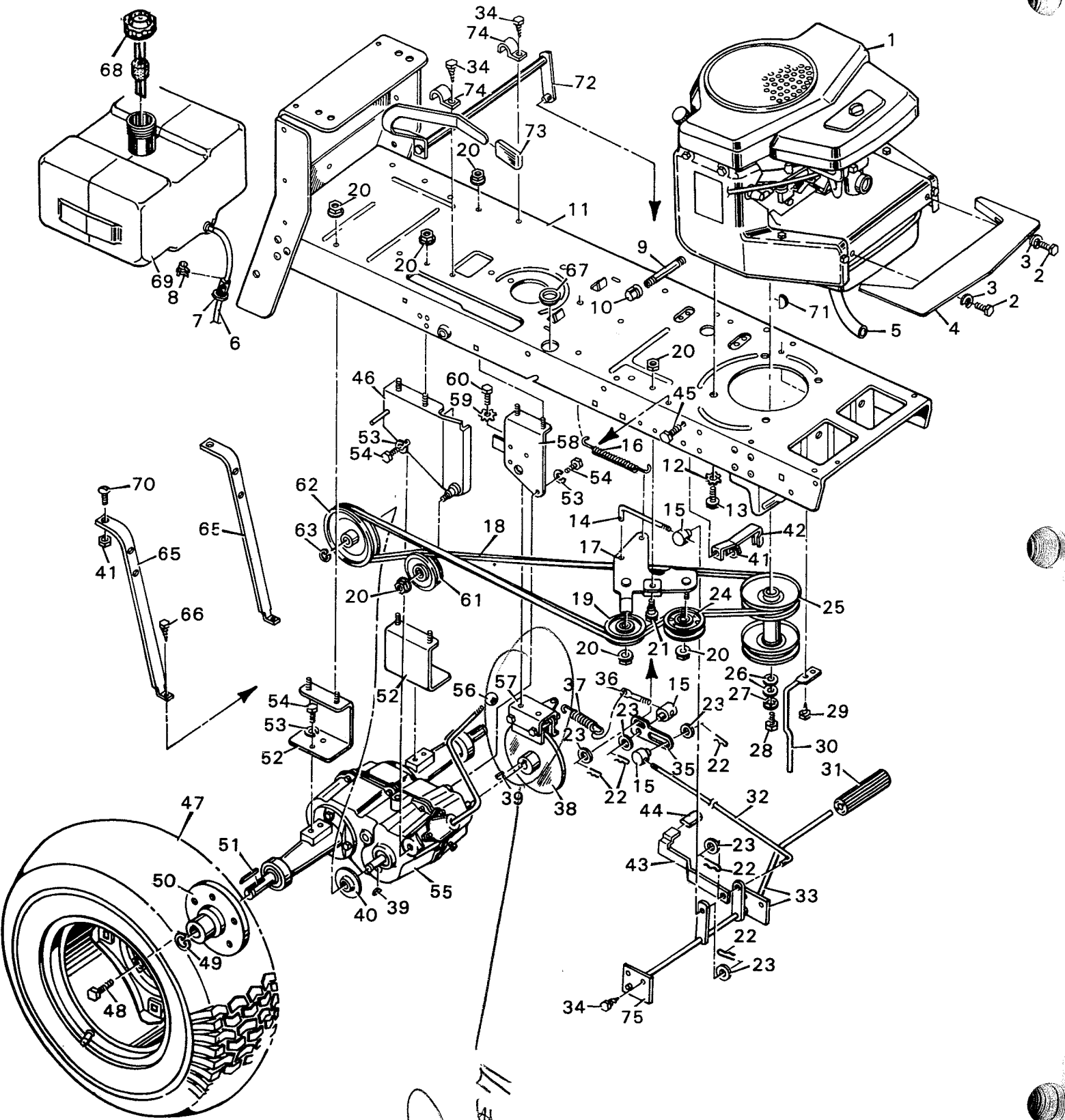


MODEL NO. 81-43660
(Includes 42" Blade Housing)
BODY PARTS ASSEMBLY

Key No.	Part No.	Description	Key No.	Part No.	Description
1	24087	Hood Assembly	36	23823	Running Board - L.H.
2	21765	Edge Trim	37	402044	Frame Channel Assembly
3	15X81	Hex Nut # 10-24	38	15X88Z	Flange Locknut 5/16"-18
4	17X17Z	Flat Washer	39	21441	Front Axle Assembly
5	21798Z	R.H. Hood Latch	40	23845	Axle Hanger Assembly
	21799Z	L.H. Hood Latch	41	2X53	Carriage Bolt 5/16"-18X 3/4"
6	21434	Hood Latch Grip	42	2X60	Carriage Bolt 3/8"-16X3
7	4X24Z	Machine Screw # 10-24X 1/4	43	21469	Pivot Pin
8	1X38	Hex Bolt 1/4"-20X5/8"	44	15X79	Flange Locknut 3/8"-16
9	4X67	Machine Screw # 10-24X 3/4	45	24105	Running Board Support Assembly
10	23006	Fender - L.H.	46	23822	Running Board R.H.
11	23399	Side Panel - L.H.	47	24253	Running Board Support Assembly
12	23844PA	Throttle Control	48	23046	Pivot Bar
13	20339	Control Knob	49	23293	Side Plate - L.H.
14	15X33	Hex Nut 3/8"-24	50	21762Z	Battery Clamp Rod
15	18X31	Spring Lockwasher	51	23779Z	Battery Clamp
16	23972	Control Panel	52	14X81	Wingnut 1/2"-20
17	23780	Choke Cable	53	31X1	Cotter Hair Pin
18	26X159	Tapping Screw # 8-18X3/8"	54	23054	Drawbar
19	26X186	Screw # 8-18X3/8"	55	23069	Reflector
20	21707	Steering Post Bearing	56	23398	Side Panel-R.H.
21	26X197	Screw 5/16"X 3/4	57	24199	Fender-R.H.
22	17X47	Washer	58	26X213	Hex Screw 1/2"X 3/4" Type AB
23	1X45	Hex Bolt 5/16"-18X 3/4	59	23397	Top Panel
24	15X66	Keps Nut 1/2"-20	60	9X12	Shoulder Bolt 3/8"-16X7/8"
25	15X79Z	Hex Nut 5/16"-18	61	23026	Rear Insert
26	24344	Side Plate - R.H.	62	24004E	Seat Hinge-R.H.
27	17X37Z	Washer	63	22196	Seat Hinge Grip
29	23303C	Retainer-Headlight	64	23884	Seat
30	26X214	Screw	65	407310	Battery
31	24089E	Grille Screen	66	24005E	Seat Hinge-L.H.
33	23999	Grille Frame Assembly	67	24006E	Hinge Bracket
34	26X202	Hex Washer Screw 3/8"X5/8"	69	24156	Battery Tray
35	21710	Rubber Mat	71	2X64	Carriage Bolt
			72	24321	Wiring Shield
				F-5282	Owners Manual
				21747	Parts Bag Ass'y

MODEL NO. 81-43660
(Including 42" Blade Housing)

DRIVE ASSEMBLY



MODEL NO. 81-43660 (Includes 42" Blade Housing)**DRIVE ASSEMBLY**

Key No.	Part No.	Description	Key No.	Part No.	Description
1		Engine 11 hp.†	39	20697	Woodruff Key # 9
2	1X38	Hex Bolt ¼"-20X5/8"	40	23041Z	Extruded Washer
3	18X32	Spring Lockwasher	41	15X66	Keps Nut ¼"-20
4	23869E	Baffle	42	23826Z	Belt Guide
5	23743E	Exhaust Pipe Assembly	43	24245Z	Parking Brake Arm
6	23714	Fuel Line-34"	44	24235	Grip - Parking Brake
7	24159	Filter	45	1X38	Bolt
8	23713	Hose Clamp	46	24244	Idle Bracket Assembly
9	23783	Oil Drain Extension	47	23320	Tire & Wheel Assembly
10	21651	Oil Drain Cap		407228	Tire Only
11	402044	Frame Channel Assembly	*	407226	Wheel Only
12	19X8	Lockwasher	*	24373	Valve Stem and Cap
13	20103	Engine Mount Bolt	48	1X80	Hex Bolt 7/16"-20X1
14	21918	Clutch Rod	49	11X6	Retaining Ring-Type E
15	21920	Adjusting Nut	50	23020	Wheel Hub
16	23874	Drive Idler Spring	51	24039	¼" Square Key
17	24250	Idler Bracket	52	23005	Rear Transaxle Bracket
18	37X26	Drive Belt	53	18X31	Lockwasher
19	20613	Clutch Idler Pulley	54	1X85	Hex Bolt 3/8"-16X¾"
20	15X84	Flange Locknut .375-16	55	23990	Transaxle Peerless Model No. 2348•
21	9X12	Shoulder Bolt	56	20844	Shift Lever Knob
22	20692	Hair Pin	57	23019	Disc Brake Unit †
23	17X53Z	Washer	58	23023	Front Transaxle Bracket-L.H.
24	21409	Idler Pulley	59	19X6	External Lockwasher
25	23725Z	Stack Pulley	60	1X63	Hex Bolt
26	10851Z	Washer	61	23238	Backsider Idler
27	19X39	Internal Lockwasher	62	23052	Pulley
28	1X20	Hex Bolt 3/8"-24X1"	63	11X5	Retaining Ring ¾" Shaft
29	26X49	Hex Screw	65	24331	Gas Tank Support
30	23789Z	Belt Guide	66	26X197	Hex Head Screw
31	21544	Clutch and Brake Pedal	67	21268	Grommet
32	23728	Brake Rod	68	23787	Gas Cap
33	24251	Clutch & Brake Lever Assembly	69	23881	Gas Tank
34	26X49	Screw	70	2X67	Carriage Bolt
35	23727	Link Plate	71	20062	Woodruff Key
36	23735Z	Adjusting Rod	72	23732	Handle Assembly
37	23778	Brake Spring	73	21249	Handle Grip
38	23013	Brake Disc & Hub Assembly	74	23734	Clamp
			75	23358	Support Bracket

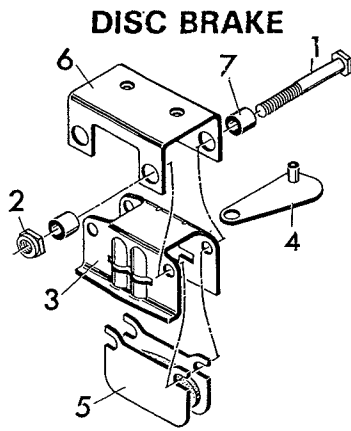
* Not illustrated in manual.

†NOTE: Your Engine Model, Type & Code Number is stamped on the Blower Housing. Replacement parts may be obtained from your Briggs and Stratton Parts and Service Center.

NOTE: Transaxle parts available through Tecumseh Dealer's Only.

† 23019 Parts List on Page 71.

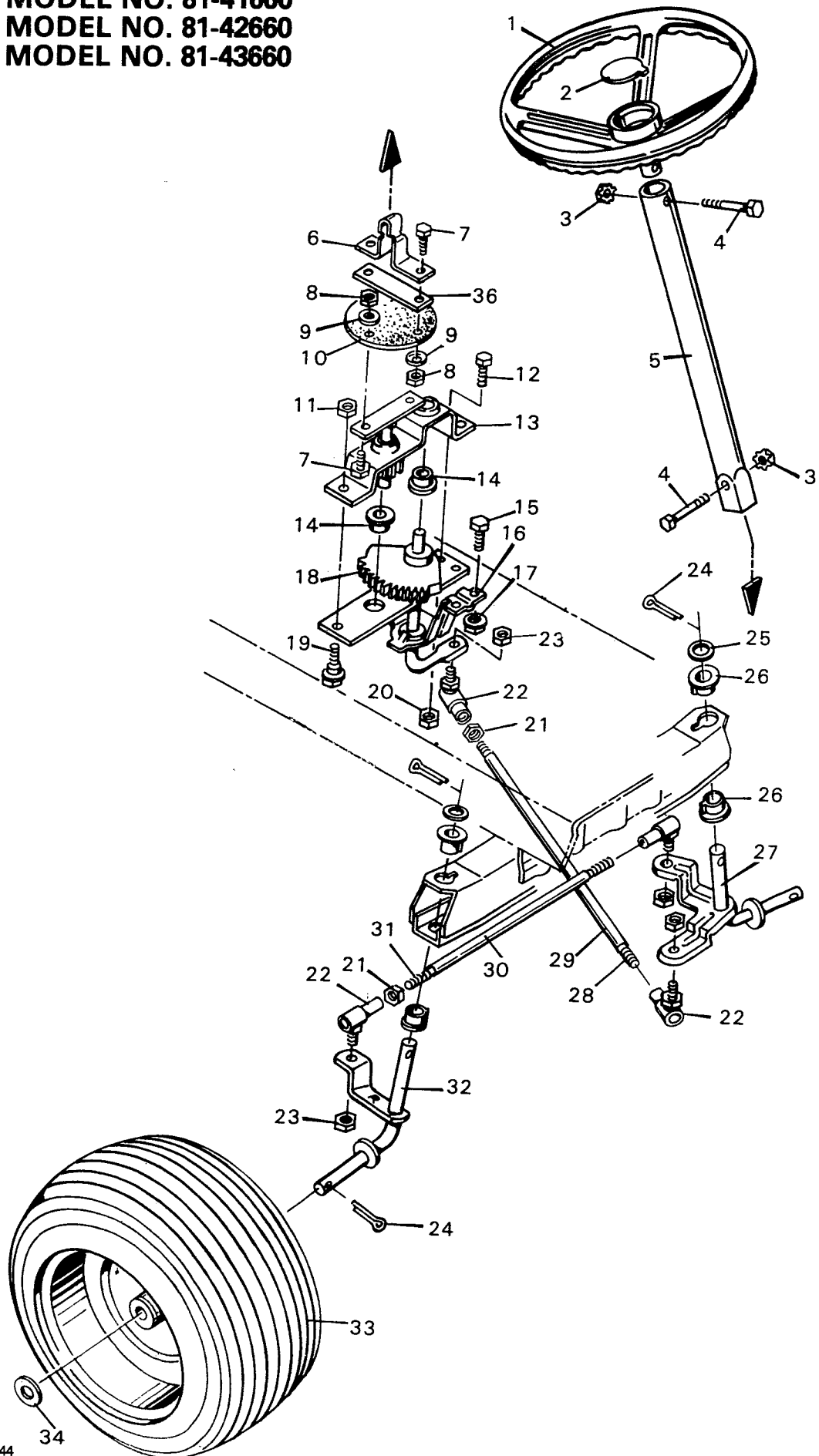
• 23990 Parts List Pages 106,107



Key No.	Part No.	Description
1	402001	Bolt-Hex Head
2	402002	Locknut
3	402003	Bracket
4	402004	Lever Assembly
5	402008	Stator Assembly
6	402006	Bracket Assembly
7	402007	Spacer
1-7	23019	Caliper Brake Assembly

MODEL NO. 81-40690
MODEL NO. 81-41660
MODEL NO. 81-42660
MODEL NO. 81-43660

STEERING ASSEMBLY



F-5344

MODEL NO. 81-40690
MODEL NO. 81-41660
MODEL NO. 81-42660
MODEL NO. 81-43660

STEERING ASSEMBLY

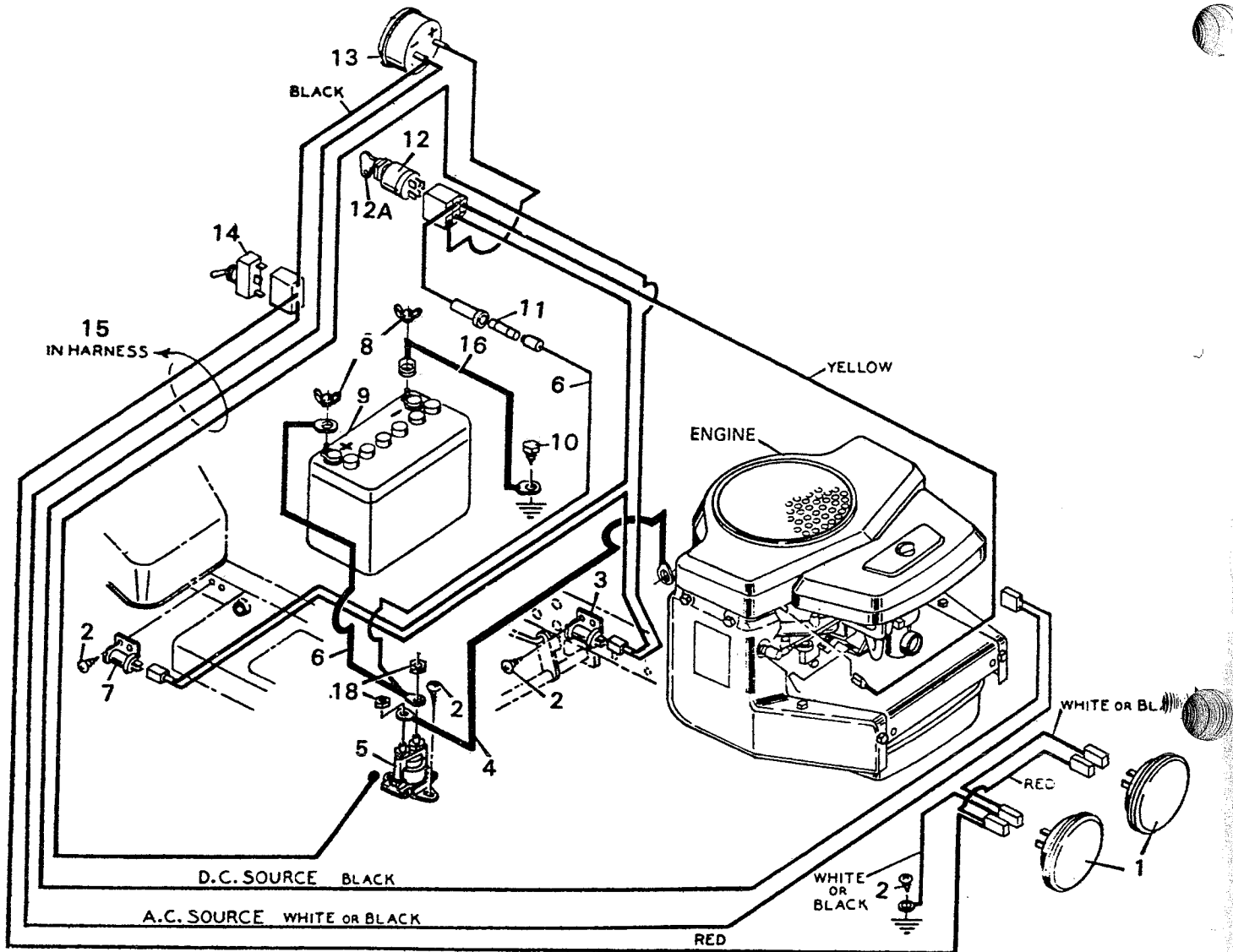
Key No.	Part No.	Description
1	21688	Steering Wheel
2	21303	Steering Wheel Cap
3	15X76	Locknut 5/16"-18
4	1X75	Bolt 5/16"-18X1 3/4"
5	21486C	Steering Post
6	21489	Steering Coupling-Upper
7	1X95	Hex Bolt 1/4"-10X7/8"
8	15X67	Locknut 1/4"-20
9	23039	Cup Washer
10	21532	Steering Disc
11	15X84	Locknut 3/8"-16
12	1X45	Hex Bolt 5/16"-18X5/8"
13	21492	Steering Gear Bracket Assembly
14	20587	Bearing
15	1X45	Hex Bolt 5/16"-18X5/8"
16	21693	Steering Bracket
17	15X79	Locknut 5/16"-18
18	21692	Steering Gear Assembly
19	9X12	Shoulder Bolt
20	15X88	Locknut 5/16"-18
21	15X61	Hex Nut 3/8"-24
22	21031	Ball Joint
23	15X87	Locknut 3/8"-24
24	30X49	Cotter Pin 3/32"X1 1/2"
25	17X83Z	Washer
26	23820	Spindle Bearing
27	23149	Spindle Assembly L.H.
28	21482	Drag Link Rod
29	156X1	Sleeve
30	156X2	Sleeve
31	21475	Tie Rod
32	23148	Spindle Assembly R.H.
33	23400	Tire & Wheel Assembly
	407225	Wheel Only
	403058	Tire Only
	24373	Valve Stem & Cap*
	403056	Front Wheel Bearing*
34	17X83Z	Washer
35	400239	Grease Fitting
36	21490	Coupling Plate

* Not illustrated in Manual.

MODEL NO. 81-43660

WIRING DIAGRAM

(Includes 42" Blade Housing)

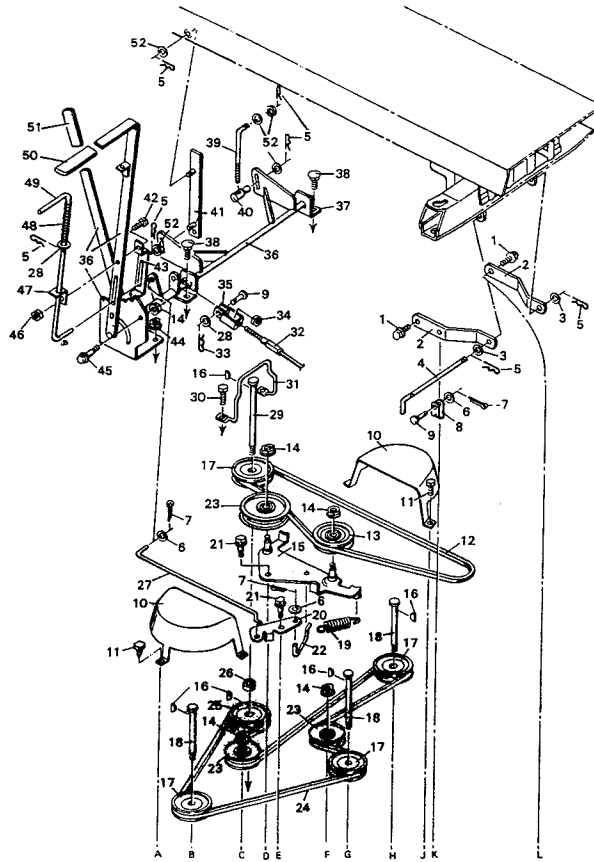


KEY NO.	PART NO.	DESCRIPTION	KEY NO.	PART NO.	DESCRIPTION
1	23757	Sealed Beam Lamp	11	23752	Fuse - Slow Blowing - 15 Amp.
2	26X185	Screw # 10	12	21064PA	Switch & Key
3	24273	Limit Switch	12A	20729	Key Only
4	24X13	Battery Cable - Red	13	21057PA	Ammeter Assembly
5	24285	Solenoid	14	21686PA	Light Switch
6	24X15	Battery Cable - Red	15	24302	Wiring Harness
7	23029	Limit Switch	16	24X6	Battery Cable - Black
8	14X79	Wing Nut 1/4"-20	18	15X66	Hex Nut
9	24106	Battery	*	F-5282	Owner's Manual
*	23851	Electrolyte-85 oz.	*	21980	Wire Clamp
10	26X49	Screw 5/16"X3/8" Type B			

* Not Illustrated

MODEL NO. 81-42000
MODEL NO. 81-42660
MODEL NO. 81-43660

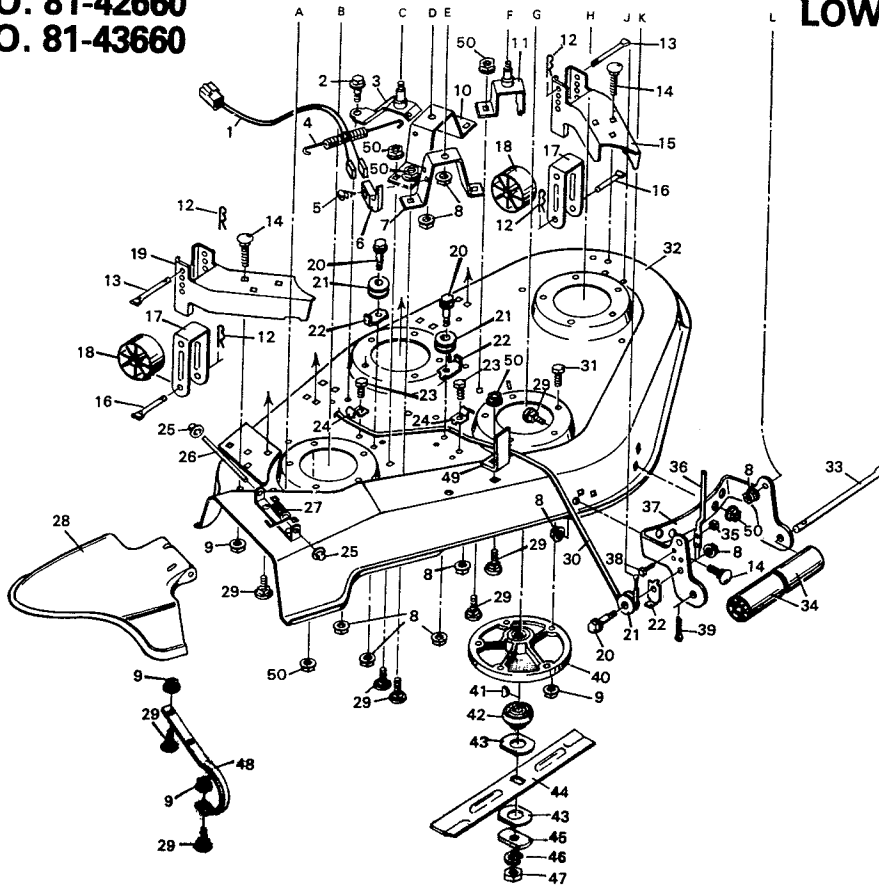
**42" BLADE HOUSING
 TOP HALF**



Key No.	Part No.	Description	Key No.	Part No.	Description
1	9X14Z	Shoulder Bolt	26	23213Z	Spacer
2	23185	Support Arm	27	23232Z	Link Rod
3	17X57Z	Washer I.D. 15X32"	28	17X53Z	Washer I.D. 13/32"
4	21912Z	Pull Pin	29	23180	Jackshaft
5	20692	Hair Pin	30	1X84	Hex Bolt 5/16"-18X1"
6	17X47Z	Washer I.D. 11/32"	31	23751Z	Belt Guide
7	30X20	Cotter Pin	32	24072	Lifter Cable
8	24073Z	Clevis	33	20692	Hair Pin
9	29X93	Clevis Pin	34	15X2	Hex Nut 5/16"-18
10	23231	Pulley Cover	35	21915Z	Adjusting Clevis
11	26X195	Screw 1/4" X 1/2" Type AB	36	24260	Lifter Assembly
12	37X21	Blade Drive Belt	37	23184	Lifter Support
13	23211	Idler Pulley	38	2X53	Carriage Bolt 5/16-18X 3/4
14	15X84	Flange Locknut 3/8"-16	39	23824Z	Adjusting Rod
15	23179Z	Blade Drive Idler	40	21920	Adjusting Nut
16	20062	Woodruff Key	41	23204Z	R.H. Hanger Bracket
17	20615	Pulley-Jackshaft	42	1X95	Hex Bolt 1/4"-20X7/8"
18	20616	Jackshaft-Short	43	23192Z	Guide Bracket
19	24074	Spring-Blade Drive	44	15X88	Flange Nut 5/16"-18
20	23226Z	Engagement Link	45	9X13	Shoulder Bolt 3/8"-16
21	9X12	Shoulder Bolt 3/8"-16X7/8"	46	15X66	Keps Nut 1/4"-20
22	23228Z	Engagement Link Rod	47	23193Z	Guide Bracket
23	23238	Backside Idler Pulley	48	23221	Lifter Spring
24	37X22	Cross Drive Belt	49	23194Z	Lifter Latch
25	23739	Jackshaft Pulley	50	23222	Lifter Grip
			51	21249	Engagement Lever Grip
			52	17X124	Washer

MODEL NO. 81-42000
MODEL NO. 81-42660
MODEL NO. 81-43660

**42" BLADE HOUSING
 LOWER HALF**



Key No.	Part No.	Description	Key No.	Part No.	Description
1	23983	Jumper Wire	29	2X53	Carriage Bolt 5/16-18X 3/4"
2	9X15Z	Shoulder Bolt 3/8"-16X7/8"	30	24072	Lifter Cable
3	23178Z	Cross Drive Idler Assembly	31	1X84Z	Hex Bolt 5/16"-18X 3/4"
4	23750	Spring-Cross Drive	32	404058	Blade Housing Assembly
5	26X211	Screw # 8X1" Type AB	33	23186Z	Roller Axle
6	24527	Limit Switch	34	23203	Roller
7	23241	Engagement Link Support	35	X89Z	Flange Locknut 1/4"-20
8	15X84	Flange Locknut 3/8"-16	36	23790Z	Belt Guide-11hp.
9	15X88	Flange Locknut 3/8"-16	*	24071Z	Belt Guide-16hp.
10	23240	Idler Support	37	24009	Roller Support
11	23177	Fixed Idler Assembly	38	1X95	Hex Bolt 1/4"-20X7/8"
12	20692	Cotter Hair Pin	39	30X49	Cotter Pin
13	23259Z	Gauge Wheel Axle-Long	40	20551	Jackshaft Housing
14	2X58	Carriage Bolt 5/16"-18X2 1/2"	41	20062	Woodruff Key
15	23279	L.H. Gauge Wheel Bracket	42	20617	Blade Adapter
16	23258Z	Gauge Wheel Axle-Short	43	21673Z	Washer
17	23260Z	Gauge Wheel Retainer	44	24338	Blade
18	23257	Gauge Wheel	45	20663Z	Blade Washer
19	23278	R.H. Gauge Wheel Bracket	46	18X27	Lockwasher
20	9X13	Shoulder Bolt	47	15X72	Hex Nut 1/4"-20
21	23187	Nylon Pulley	48	24070	Skid
22	23191Z	Cable Guide	49	24104	Stop Clip
23	26X195	Screw 1/4"X 1/2" Type AB	*	21980	Wire Clamp
24	21953Z	Cable Guide	50	15X79	Flange Nut
25	28X23	Push-On-Cap		23242	Parts Bag Assembly 81-42000
26	23173Z	Deflector Rod		F-5540	Owners Manual 81-42000
27	21189	Torsion Spring		403134	Complete Blade Housing Assembly
28	23224	Chute Deflector			