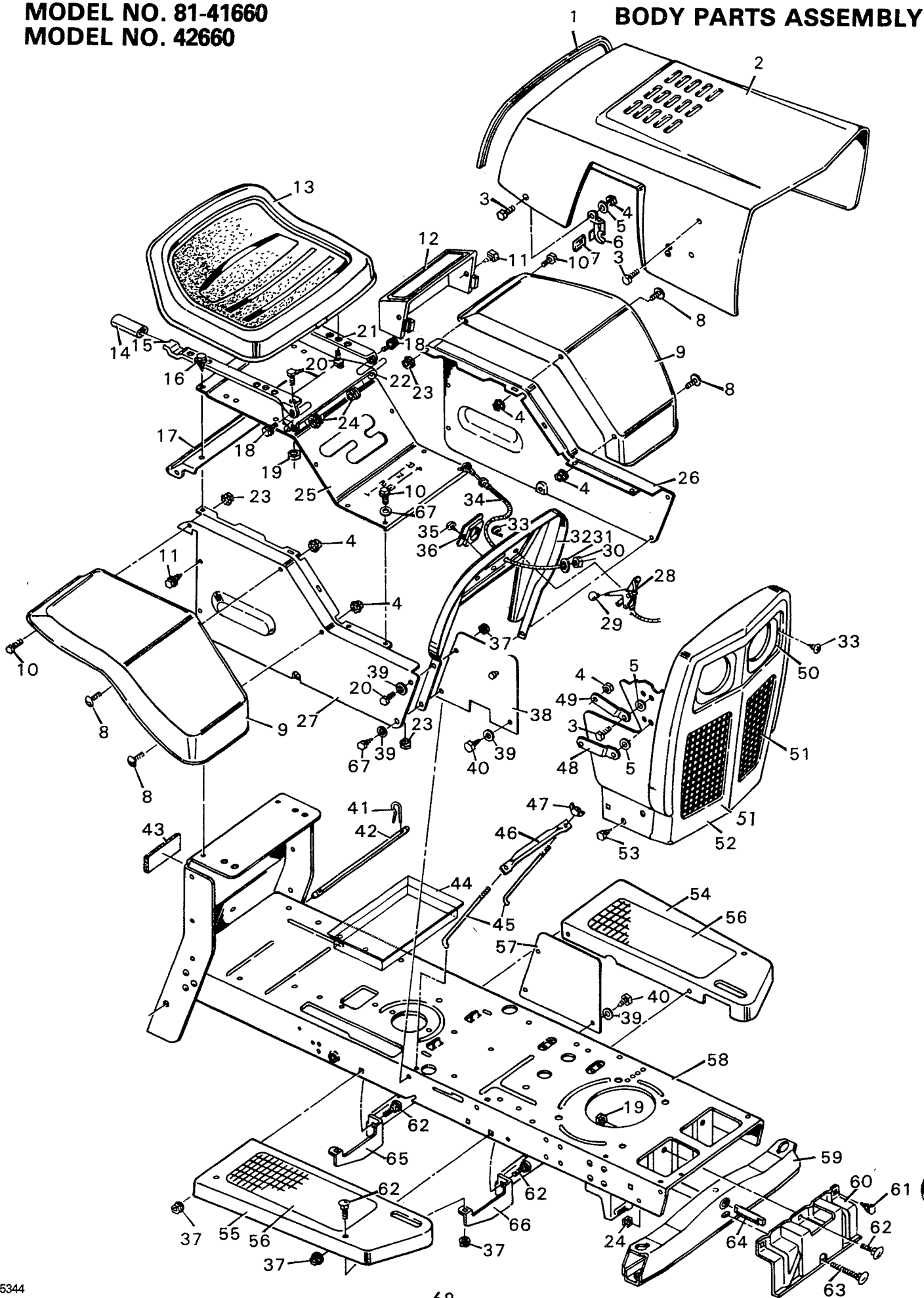


MODEL NO. 81-41660
MODEL NO. 42660

BODY PARTS ASSEMBLY



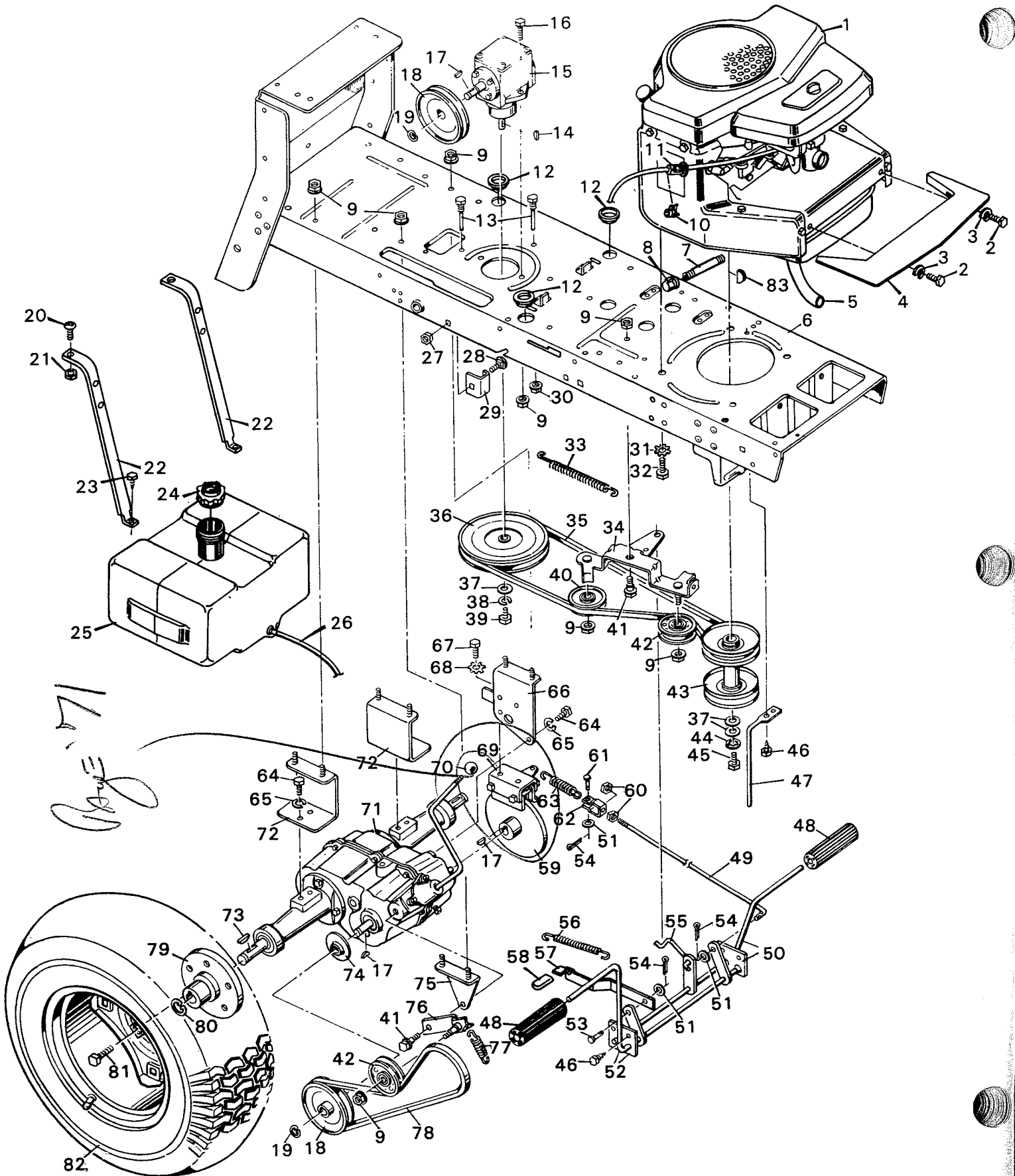
MODEL NO. 81-41660
MODEL NO. 81-42660

BODY PARTS ASSEMBLY

Key No.	Part No.	Description	Key No.	Part No.	Description
1	21765	Edge Trim	34	23780	Choke Cable
2	24087	Hood Assembly	35	26X186	Screw
3	4X24Z	Machine Screw # 10-24X ¼	36	21707	Steering Post Bearing
4	15X81	Hex Nut # 10-24	37	15X79Z	Flange Nut 5/16-18
5	17X17Z	Washer	38	23292	Side Plate-R.H.
6	21798Z	Hood Latch - R.H.	39	17X47Z	Washer
--	21799Z	Hood Latch - L.H.	40	26X49	Screw
7	21434	Hood Latch Grip	41	31X1	Hair Pin
8	4X67	Machine Screw # 10-24X ¾	42	23054	Drawbar
9	23006	Fender	43	23069	Reflector
10	1X38	Hex Bolt ¼-20X3/8	44	24156	Battery Tray
11	26X214	Screw	45	21762Z	Battery Clamp Rod
12	407310	Battery Cover	46	23779Z	Battery Clamp
13	23884	Seat	47	14X81	Wing Nut
14	22196	Grip-Seat Hinge	48	23088	Pivot Bar Assembly
15	24004E	Seat Hinge - R.H.	49	23046	Pivot Bar
16	26X213	Screw	50	23303C	Retainer-Headlight
17	23026	Rear Insert	51	24089E	Grille Screen
18	9X12	Carriage Bolt 3/8-16X7/8	52	23999	Grille Frame Assembly
19	15X88	Flange Locknut 5/16-18	53	26X202	Screw
20	1X45	Hex Bolt 5/16-18X5/8	54	23823	Running Board - L.H.
21	24005E	Seat Hinge - L.H.	55	23936	Running Board - R.H.
22	24006E	Hinge Bracket	56	21710	Running Board Mat
23	15X66	Keps Nut ¼-20	57	24239	Side Plate - L.H.
24	15X84	Flange Locknut 3/8-16	58	402044	Frame Channel Assembly
25	23397	Top Panel	59	21441	Front Axle Assembly
26	23399	Side Panel - L.H.	60	23845	Axle Hanger Assembly
27	23398	Side Panel - R.H.	61	26X197	Screw
28	23844PA	Throttle Control	62	2X53	Carriage Bolt 5/16-18X ¾
29	20399	Control Knob	63	2X60	Carriage Bolt 3/8-16X3
30	15X33	Hex Nut 3/8-24	64	21469	Pivot Pin
31	18X31	Lockwasher	65	23038	Running Board Support Assembly
32	23972	Control Panel	66	24105	Running Board Support
33	26X159	Screw	67	17X37Z	Washer
				F-5176	Owners Manual 81-41660
				21747	Parts Bag Assembly

MODEL NO. 81-41660
MODEL NO. 81-42660

DRIVE ASSEMBLY



Handwritten note: 17
17

MODEL NO. 81-41660
MODEL NO. 82-42660

DRIVE ASSEMBLY

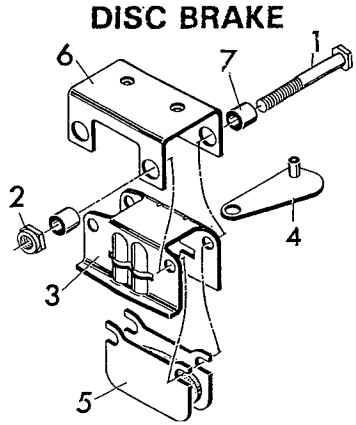
Key No.	Part No.	Description	Key No.	Part No.	Description
1	-----	Engine†	44	19X39	Shakeproof Washer
2	1X38	Hex Bolt ¼-20X5/8	45	1X20	Hex Bolt 3/8-24X1
3	18X32	Lockwasher	46	26X49	Screw
4	23869E	Baffle	47	23789Z	Belt Guide
5	23743E	Exhaust Pipe Assembly	48	21544	Pedal
6	402044	Frame Channel Assembly	49	23032	Brake Rod
7	23783	Oil Drain Extension	50	21951	Clutch Lever Assembly
8	21651	Oil Drain Cap	51	17X47Z	Washer
9	15X84	Flange Locknut 3/8-16	52	21949	Brake Lever Assembly
10	23713	Hose Clamp	53	26X95	Clevis Pin
11	24159	Filter	54	30X20	Cotter Pin
12	21268	Grommet	55	21681	Clutch Link Rod
13	20619	Belt Guide Screw	56	20682	Spring - Parking Brake
14	21539	Woodruff Key # 61	57	24202Z	Parking Brake Arm
15	23053	Right Angle Drive	58	24235	Grip - Parking Brake
16	1X97	Hex Bolt 3/8-16X1 ¼	59	23013	Disc & Hub Assembly
17	20697	Woodruff Key # 9	60	15X2	Hex Nut 5/16-18
18	23051	Pulley	61	29X93	Clevis Pin
19	11X5	Retaining Ring	62	21915	Adjusting Clevis
20	2X67	Carriage Bolt ¼-20X¾	63	21675	Brake Spring
21	15X89	Flange Locknut ¼-20	64	1X85	Hex Bolt 3/8-16X¾
22	24331	Gas Tank Support	65	18X31	Lockwasher
23	26X197	Screw	66	23023	Transaxle Bracket-L.H. Frt.
24	23787	Gas Cap	67	1X63	Hex Bolt 5/16-24X5/8
25	23396	Gas Tank	68	19X6	Shakeproof Washer
26	23714	Fuel Line 34"	69	23019	Caliper Brake Unit *
27	15X88	Flange Locknut 5/16-18	70	20844	Knob
28	2X16	Carriage Bolt 5/16-18X1 1/8	71	23990	Transaxle Peerless Model No. 2348
29	23047	Belt Guide	72	23005	Rear Transaxle Bracket Assembly
30	15X76	Keps Nut 5/16-18	73	24039	Square Key- ¼
31	19X8	Shakeproof Washer	74	23041Z	Extruded Washer
32	20103	Engine Mount Bolt	75	23022	Transaxle Bracket-R.H. Frt.
33	23874	Drive Idler Spring	76	23044Z	Idler Assembly
34	21428	Idler Bracket	77	23067	Spring
35	37X15	Drive Belt	78	37X23	Belt - Right Angle Drive
36	23052	Pulley	79	23020	Wheel Hub
37	10851Z	Washer	80	11X6	Retainer Ring
38	18X15	Lockwasher	81	1X80	Hex Bolt 7/16-20X1
39	1X45	Hex Bolt 5/16-18X5/8	82	23320	Tire & Wheel Assembly
40	20613	Idler Pulley		407226	Wheel Only
41	9X12	Shoulder Bolt		407228	Tire Only
42	21409	Idler Pulley		24373	Valve Stem and Cap
43	23725Z	Stack Pulley Assembly	83	20062	Woodruff Key # 6

†NOTE: Your Engine Model, Type & Code Numbers is stamped on the Blower Housing. All Parts pertaining to this engine are available from the Briggs and Stratton Parts and Service Station in the yellow pages of the classified Telephone Directory.

NOTE: Transaxle parts available through Tecumseh Dealer's Only.

* 23019 Parts List on Page 71

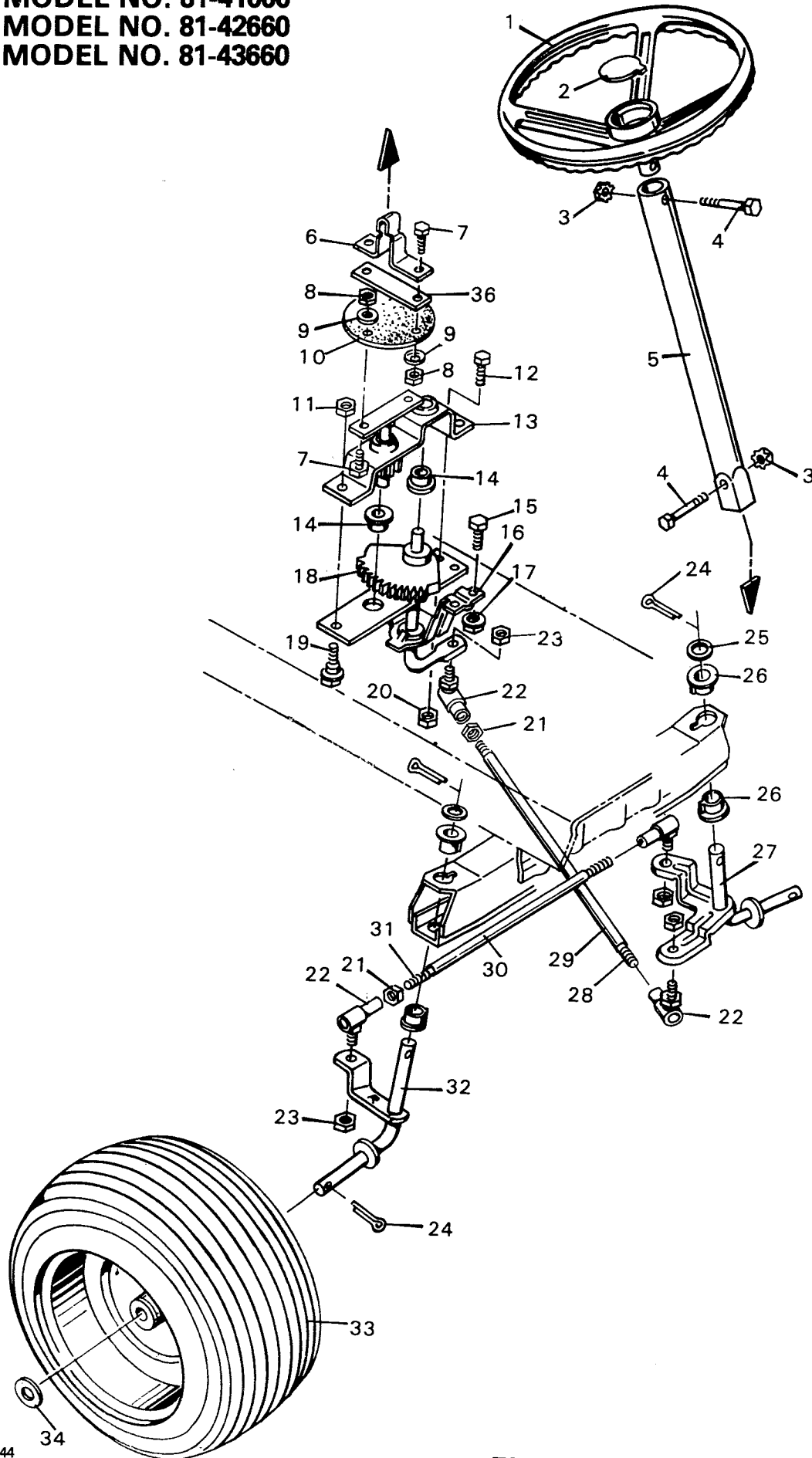
* * 23990 Parts List Page 106, 107



Key No.	Part No.	Description
1	402001	Bolt-Hex Head
2	402002	Locknut
3	402003	Bracket
4	402004	Lever Assembly
5	402008	Stator Assembly
6	402006	Bracket Assembly
7	402007	Spacer
1-7	23019	Caliper Brake Assembly

MODEL NO. 81-40690
MODEL NO. 81-41660
MODEL NO. 81-42660
MODEL NO. 81-43660

STEERING ASSEMBLY



MODEL NO. 81-40690
MODEL NO. 81-41660
MODEL NO. 81-42660
MODEL NO. 81-43660

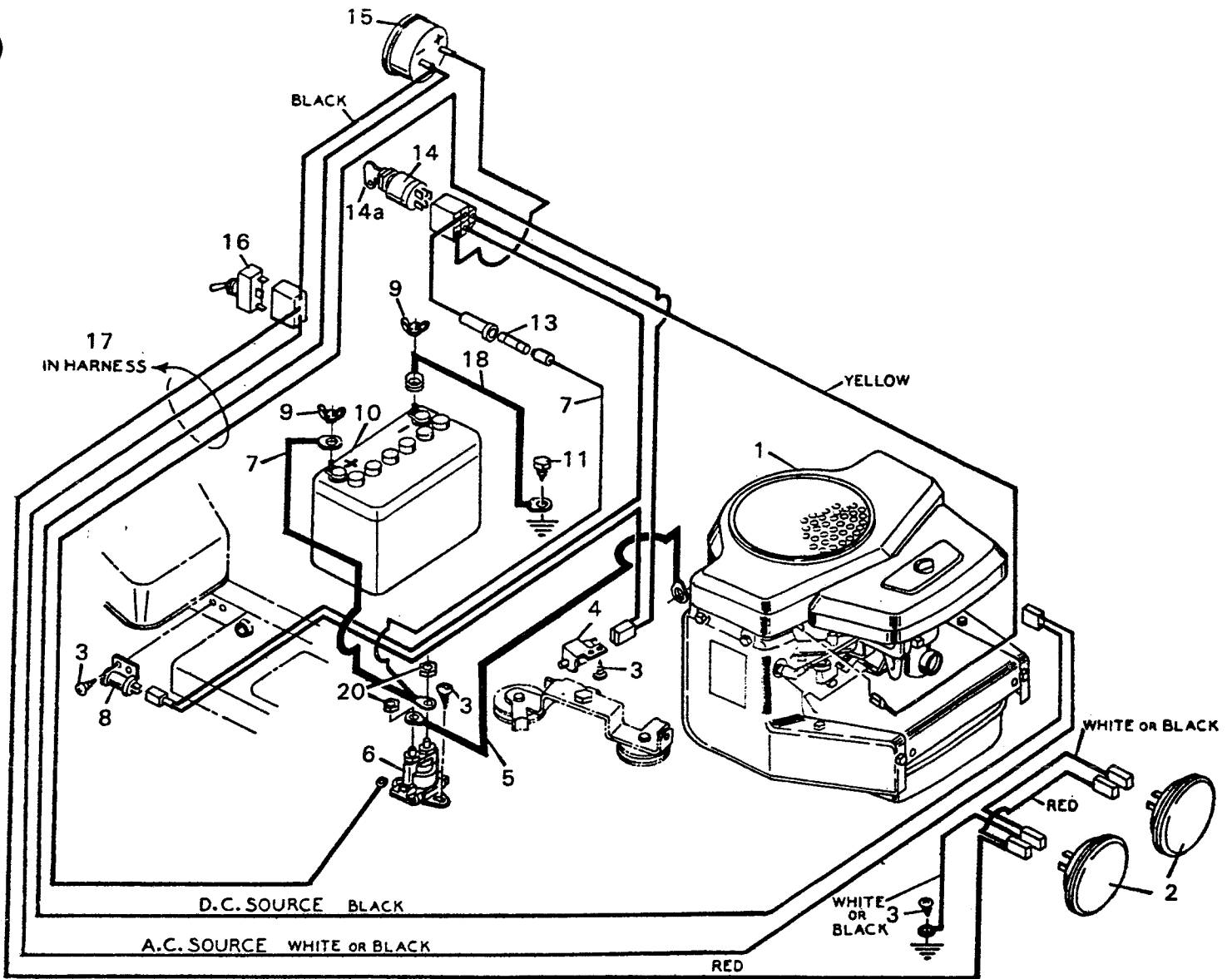
STEERING ASSEMBLY

Key No.	Part No.	Description
1	21688	Steering Wheel
2	21303	Steering Wheel Cap
3	15X76	Locknut 5/16"-18
4	1X75	Bolt 5/16"-18X1 3/4"
5	21486C	Steering Post
6	21489	Steering Coupling-Upper
7	1X95	Hex Bolt 1/4"-10X7/8"
8	15X67	Locknut 1/4"-20
9	23039	Cup Washer
10	21532	Steering Disc
11	15X84	Locknut 3/8"-16
12	1X45	Hex Bolt 5/16"-18X5/8"
13	21492	Steering Gear Bracket Assembly
14	20587	Bearing
15	1X45	Hex Bolt 5/16"-18X5/8"
16	21693	Steering Bracket
17	15X79	Locknut 5/16"-18
18	21692	Steering Gear Assembly
19	9X12	Shoulder Bolt
20	15X88	Locknut 5/16"-18
21	15X61	Hex Nut 3/8"-24
22	21031	Ball Joint
23	15X87	Locknut 3/8"-24
24	30X49	Cotter Pin 3/32"X1 1/2"
25	17X83Z	Washer
26	23820	Spindle Bearing
27	23149	Spindle Assembly L.H.
28	21482	Drag Link Rod
29	156X1	Sleeve
30	156X2	Sleeve
31	21475	Tie Rod
32	23148	Spindle Assembly R.H.
33	23400	Tire & Wheel Assembly
	407225	Wheel Only
	403058	Tire Only
	24373	Valve Stem & Cap*
	403056	Front Wheel Bearing*
34	17X83Z	Washer
35	400239	Grease Fitting
36	21490	Coupling Plate

* Not illustrated in Manual.

MODEL NO. 81-41660
81-42660

WIRING DIAGRAM

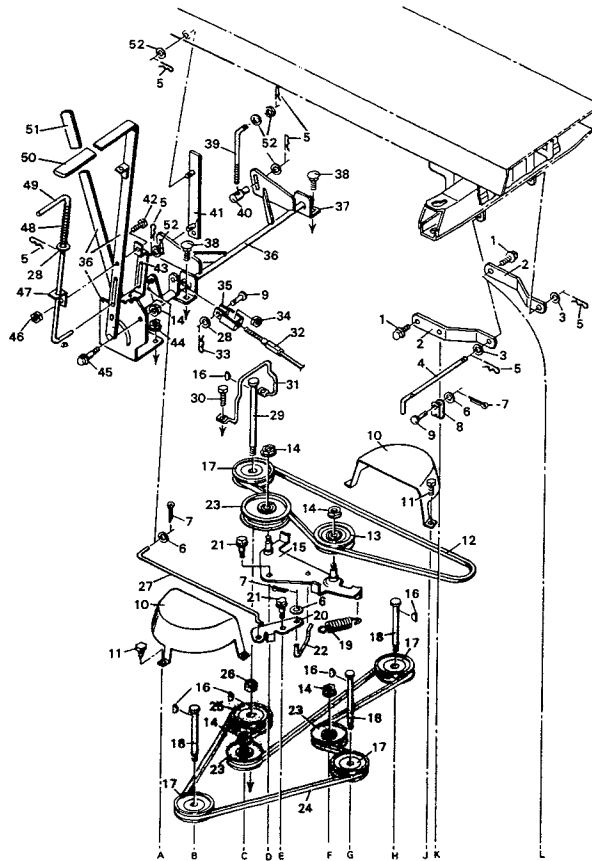


KEY NO.	PART NO.	DESCRIPTION	KEY NO.	PART NO.	DESCRIPTION
1	----	Engine - 16 hp.	14	21064PA	Switch & Key
2	23757	Sealed Beam Light	14A	20729	Key Only
3	26X185	Screw # 10	15	21057PA	Ammeter Assembly
4	21549	Limit Switch	16	21686PA	Light Switch
5	24X13	Battery Cable - Red	17	23883	Wiring Harness
6	24285	Solenoid	18	24X6	Battery Cable - Black
7	24X15	Battery Cable - Red	*	32618	Hang Tag Tie
8	23029	Limit Switch	*	F-5176	Owner's Manual
9	14X79	Wing Nut 1/4"-20	*	21980	Wire Clamp
10	24106	Battery	*	23857	Bushing
*	23851	Electrolyte-85 oz.	20	15X66	Keps Nut
11	26X49	Screw 5/16"X3/8" Type B			
13	23752	Fuse-Slow Blowing-15 Amp.			

* Not Illustrated

MODEL NO. 81-42000
MODEL NO. 81-42660
MODEL NO. 81-43660

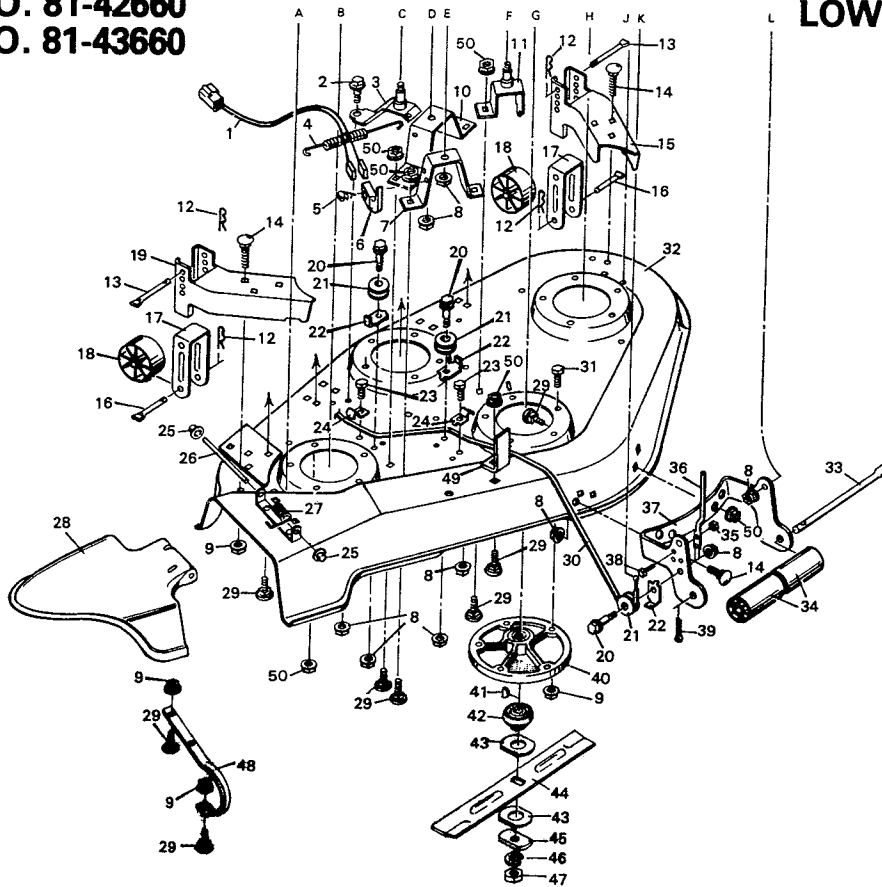
**42" BLADE HOUSING
 TOP HALF**



Key No.	Part No.	Description	Key No.	Part No.	Description
1	9X14Z	Shoulder Bolt	26	23213Z	Spacer
2	23185	Support Arm	27	23232Z	Link Rod
3	17X57Z	Washer I.D. 15X32"	28	17X53Z	Washer I.D. 13/32"
4	21912Z	Pull Pin	29	23180	Jackshaft
5	20692	Hair Pin	30	1X84	Hex Bolt 5/16"-18X1"
6	17X47Z	Washer I.D. 11/32"	31	23751Z	Belt Guide
7	30X20	Cotter Pin	32	24072	Lifter Cable
8	24073Z	Clevis	33	20692	Hair Pin
9	29X93	Clevis Pin	34	15X2	Hex Nut 5/16"-18
10	23231	Pulley Cover	35	21915Z	Adjusting Clevis
11	26X195	Screw 1/4"X 1/2" Type AB	36	24260	Lifter Assembly
12	37X21	Blade Drive Belt	37	23184	Lifter Support
13	23211	Idler Pulley	38	2X53	Carriage Bolt 5/16-18X 3/4
14	15X84	Flange Locknut 3/8"-16	39	23824Z	Adjusting Rod
15	23179Z	Blade Drive Idler	40	21920	Adjusting Nut
16	20062	Woodruff Key	41	23204Z	R.H. Hanger Bracket
17	20615	Pulley-Jackshaft	42	1X95	Hex Bolt 1/4"-20X7/8"
18	20616	Jackshaft-Short	43	23192Z	Guide Bracket
19	24074	Spring-Blade Drive	44	15X88	Flange Nut 5/16"-18
20	23226Z	Engagement Link	45	9X13	Shoulder Bolt 3/8"-16
21	9X12	Shoulder Bolt 3/8"-16X7/8"	46	15X66	Keps Nut 1/4"-20
22	23228Z	Engagement Link Rod	47	23193Z	Guide Bracket
23	23238	Backside Idler Pulley	48	23221	Lifter Spring
24	37X22	Cross Drive Belt	49	23194Z	Lifter Latch
25	23739	Jackshaft Pulley	50	23222	Lifter Grip
			51	21249	Engagement Lever Grip
			52	17X124	Washer

MODEL NO. 81-42000
MODEL NO. 81-42660
MODEL NO. 81-43660

**42" BLADE HOUSING
 LOWER HALF**



Key No.	Part No.	Description	Key No.	Part No.	Description
1	23983	Jumper Wire	29	2X53	Carriage Bolt 5/16-18X 3/4"
2	9X15Z	Shoulder Bolt 3/8"-16X7/8"	30	24072	Lifter Cable
3	23178Z	Cross Drive Idler Assembly	31	1X84Z	Hex Bolt 5/16"-18X 3/4"
4	23750	Spring-Cross Drive	32	404058	Blade Housing Assembly
5	26X211	Screw # 8X1" Type AB	33	23186Z	Roller Axle
6	24527	Limit Switch	34	23203	Roller
7	23241	Engagement Link Support	35	X89Z	Flange Locknut 1/4"-20
8	15X84	Flange Locknut 3/8"-16	36	23790Z	Belt Guide-11hp.
9	15X88	Flange Locknut 3/8"-16	*	24071Z	Belt Guide-16hp.
10	23240	Idler Support	37	24009	Roller Support
11	23177	Fixed Idler Assembly	38	1X95	Hex Bolt 1/4"-20X7/8"
12	20692	Cotter Hair Pin	39	30X49	Cotter Pin
13	23259Z	Gauge Wheel Axle-Long	40	20551	Jackshaft Housing
14	2X58	Carriage Bolt 5/16"-18X2 1/2"	41	20062	Woodruff Key
15	23279	L.H. Gauge Wheel Bracket	42	20617	Blade Adapter
16	23258Z	Gauge Wheel Axle-Short	43	21673Z	Washer
17	23260Z	Gauge Wheel Retainer	44	24338	Blade
18	23257	Gauge Wheel	45	20663Z	Blade Washer
19	23278	R.H. Gauge Wheel Bracket	46	18X27	Lockwasher
20	9X13	Shoulder Bolt	47	15X72	Hex Nut 1/4"-20
21	23187	Nylon Pulley	48	24070	Skid
22	23191Z	Cable Guide	49	24104	Stop Clip
23	26X195	Screw 1/4"X 1/2" Type AB	*	21980	Wire Clamp
24	21953Z	Cable Guide	50	15X79	Flange Nut
25	28X23	Push-On-Cap		23242	Parts Bag Assembly 81-42000
26	23173Z	Deflector Rod		F-5540	Owners Manual 81-42000
27	21189	Torsion Spring		403134	Complete Blade Housing Assembly
28	23224	Chute Deflector			