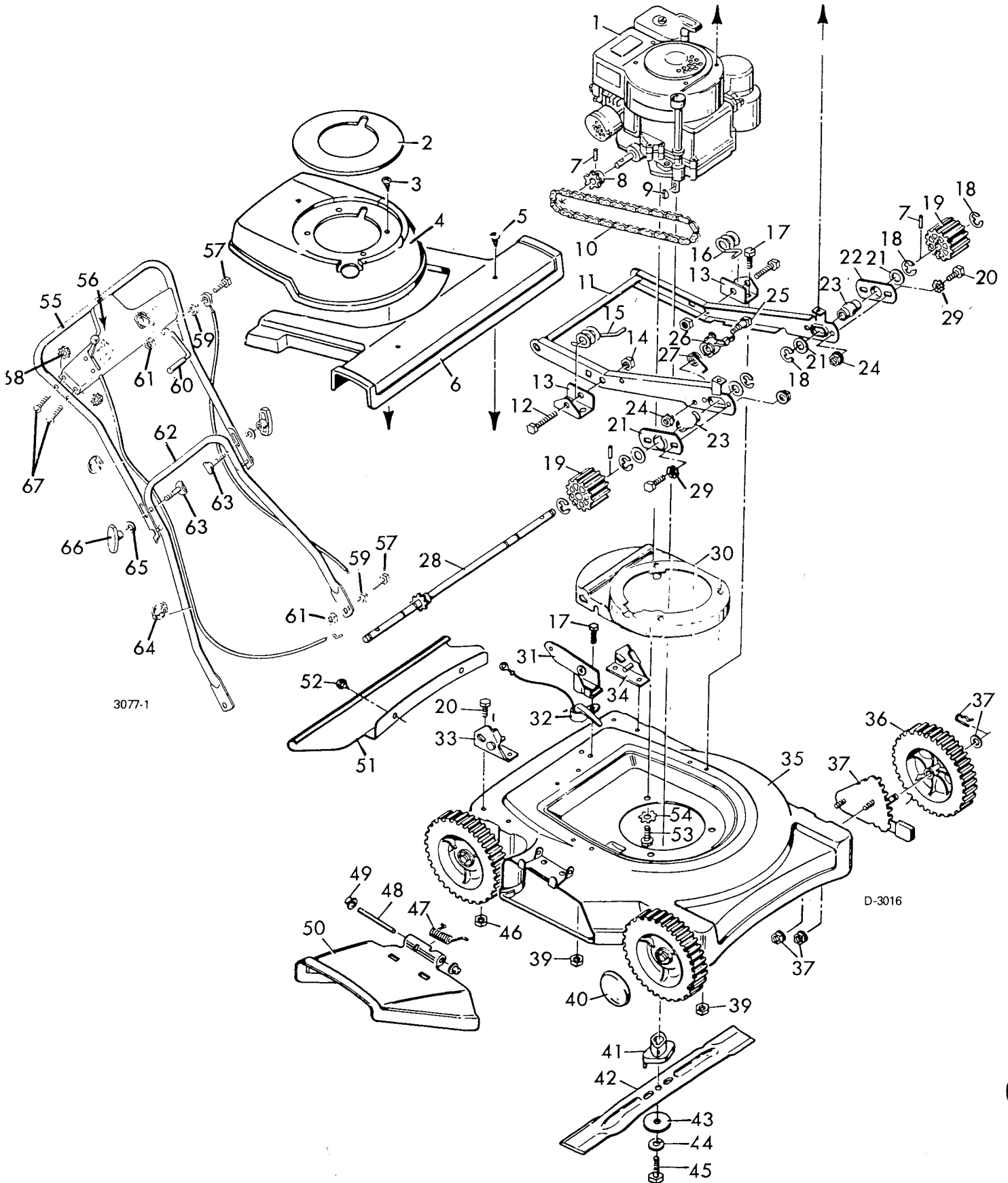


# MODEL 81-22630 22" DELUXE SELF-PROPELLED ROTARY MOWER



3077-1

D-3016

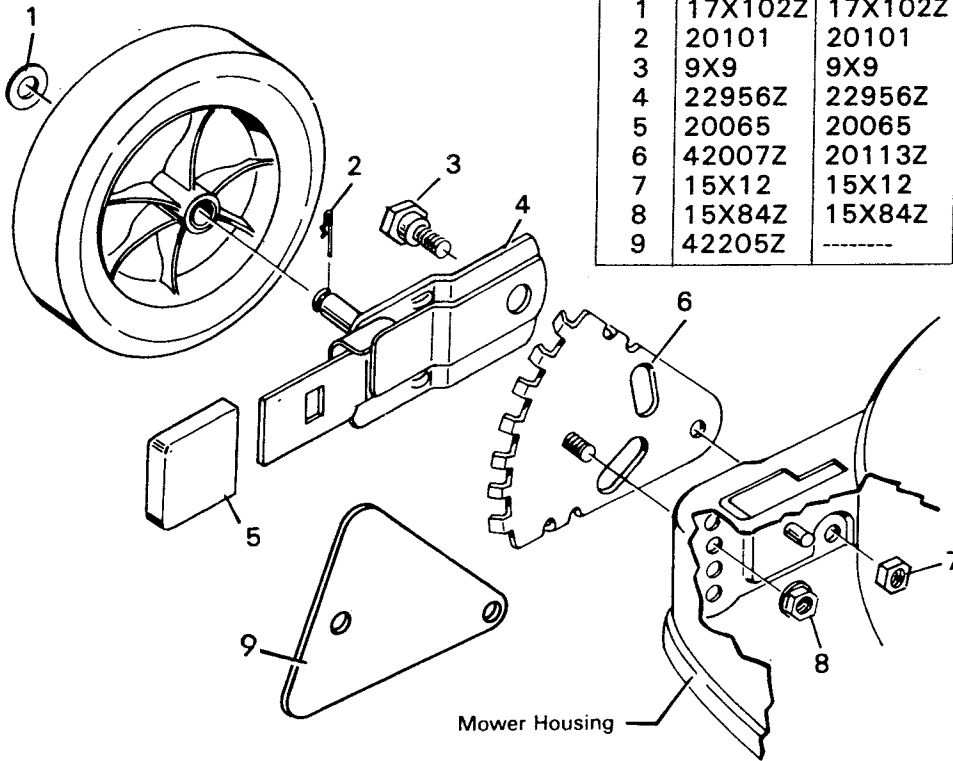
**MODEL 81-22630**

Key No.	Part No.	Description	Key No.	Part No.	Description
1	-----	Engine	35	22431	Housing Assembly
2	22334	Shroud Insert	36	22125	Wheel & Tire Assembly
3	26X159	Tapping Screw	37	400246	Wheel Adjuster Assembly*
4	22338	Engine Shroud	39	15X79Z	Hex Flange Nut
5	26X186	Screw	40	22115	Hub Cap - Chrome
6	22328	Pinion & Chain Guard	41	20051	Blade Adapter
7	32X64	Spring Pin	42	20046	Blade - 22"
8	42086	Sprocket	43	20094Z	Blade Washer
9	20062	Woodruff Key # 6	44	18X31	Spring Lockwasher
10	22279	Chain & Link	45	1X69	Blade Mounting Bolt
11	22272	Drive Arms & Tube Assembly	46	15X82	Flange Nut 1/4"-20
12	1X87	Hex Bolt 3/8"-16X2"	47	22052	Torsion Spring
13	22278Z	Bracket - Drive Arm	48	22326Z	Pivot Pin
14	15X12	Stover Locknut 3/8"-16	49	28X42	Push-On-Cap
15	22322Z	Torsion Spring R.H.	50	22352	Chute Deflector
16	22323Z	Torsion Spring L.H.	51	407020	Rear Guard
17	1X45	Hex Bolt 5/16"-18X5/8"	52	26X185	Screw
18	11X8	Retainer Ring	53	20102	Engine Mount Bolt
19	20066	Drive Pinion	54	19X8	Shakeproof Washer
20	1X38Z	Hex Bolt 1/4"-20X5/8"	55	20247C	Upper Handle Assembly
21	17X100Z	Washer	56	400169	Control Panel Assembly
22	20049Z	Bearing Retainer	57	20412	Hex Bolt
23	20048	Bearing	59	15X1Z	Hex Nut
24	15X82	Flange Nut 1/4"-20	60	22555	Control Lever Grip
25	9X11	Shoulder Bolt	61	15X67	Locknut
26	22398	Chain Guide	62	20191C	Lower Handle Assembly
27	22399	Spring	63	20129Z	Contour Head Bolt
28	22152Z	Drive Shaft & Sprocket Assembly	64	22550	Cable Clamp
29	19X4	Shakeproof Washer	65	17X46Z	Washer
30	42251E	Engine Base & Spacer Assembly	66	20266	Handle Knob
31	22539	Lower Bracket, Cable & Pivot Assembly	67	3X97Z	Machine Screw
32	22496	Safety Interlock Module	68	15X66	Keys Nuts
33	20198Z	R.H. Bracket & Weld Pin Assembly		42118	Parts Bag Assembly
34	20199Z	L.H. Bracket & Weld Pin Assembly		F-5286	Owners Manual

\*Note: See page 24 for Wheel Adjuster Replacement Parts.

**DELUXE WHEEL ADJUSTER ASSEMBLY**  
**MODEL 400245 - MULCHER**  
**400246 - SIDE BAGGER**  
**400247 - REAR BAGGER**

KEY NO.	MODEL 400245	MODEL 400246	MODEL 400247	DESCRIPTION
1	17X102Z	17X102Z	17X102Z	Washer
2	20101	20101	20101	Hair Pin
3	9X9	9X9	9X18	Shoulder Bolt
4	22956Z	22956Z	22956Z	Arm and Axle Assembly
5	20065	20065	20065	Lever Spring Knob
6	42007Z	20113Z	42007Z	Index Plate Assembly
7	15X12	15X12	15X12	Flange Locknut
8	15X84Z	15X84Z	15X84Z	Locknut
9	42205Z	-----	-----	Spacer



**STANDARD WHEEL ADJUSTER ASSEMBLY**  
**MODELS 400251 & 400252**

Key No.	Part No.	Description
1	17X102Z	Washer
2	20101	Hair Pin
3	42102Z	Wheel Bracket Assembly - Right Front or Left Rear
	42103Z	Wheel Bracket Assembly - Left Front or Right Rear
4	42104Z	Index Plate Assembly
1-4	400251	Wheel Adjuster Assembly - Right Front or Left Rear
1-4	400252	Wheel Adjuster Assembly - Left Front or Right Rear
5	15X84Z	Flange Locknut

