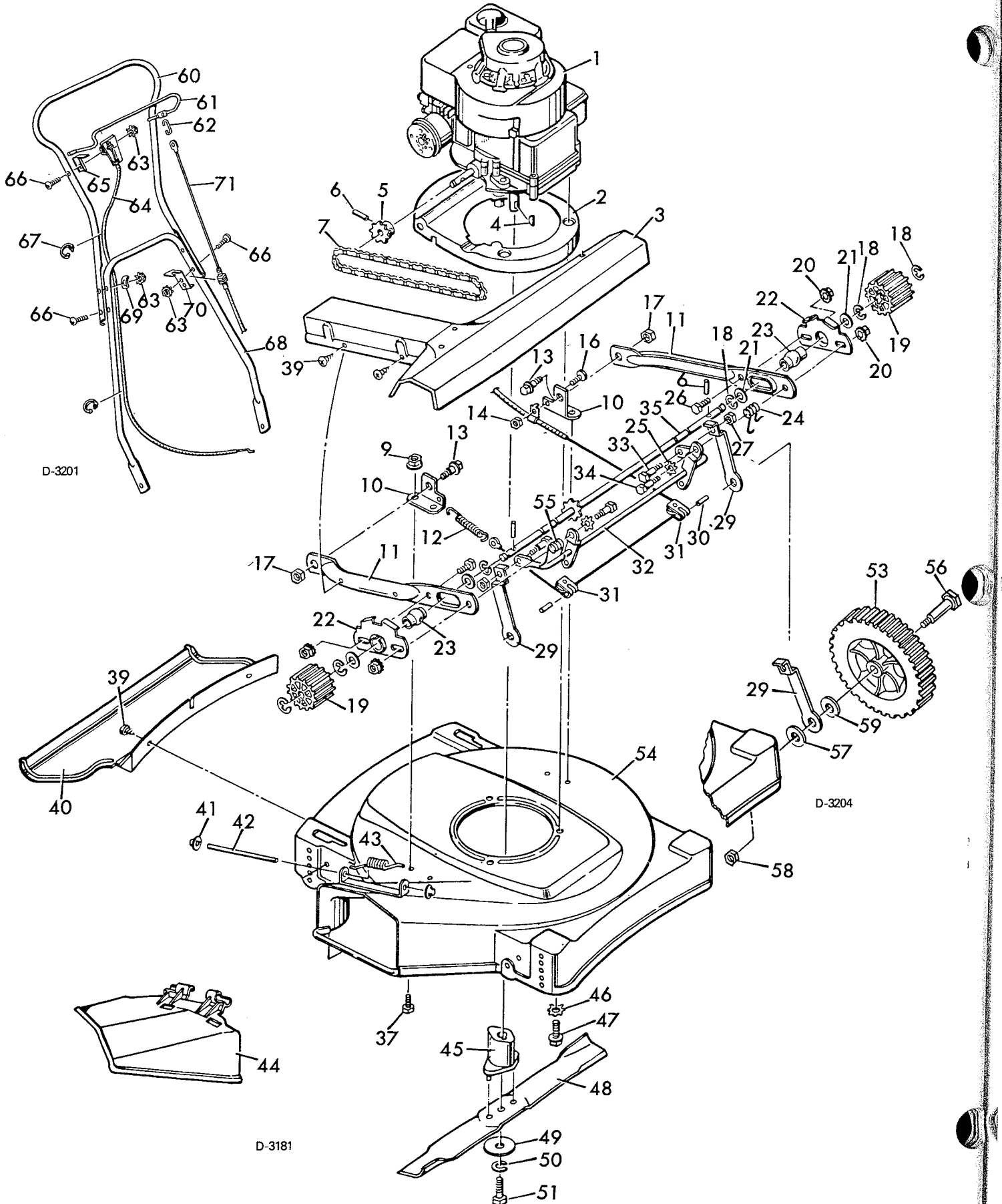


MODEL 81-22410 22" SELF-PROPELLED MOWER



MODEL 81-22410

Key No.	Model 81-22410 Part No.	Description	Key No.	Model 81-22410 Part No.	Description
1	-----	Engine	37	1X38	Hex Bolt
2	42251E	Engine Base	39	26X185	Screw
3	402014	Chain & Pinion Guard Assembly	40	407018	Rear Guard
4	20062	Woodruff Key	41	28X42	Push-On-Cap
5	42086	Engine Sprocket	42	22050Z	Pivot Rod
6	32X64	Spring Pin	43	22052	Torsion Spring
7	20108	Roller Chain	44	20454	Chute Deflector
9	15X82	Flange Locknut	45	20051	Blade Adapter
10	22953Z	Drive Yoke Support Bracket	46	19X8	Shakeproof Washer
11	22963Z	Drive Arm	47	20102	Engine Bolt
12	22618	Spring	48	20046	Blade
13	9X17	Shoulder Bolt	49	20094Z	Blade Washer
14	15X51Z	Hex Nut	50	18X31	Spring Lockwasher
16	4X20	Machine Screw	51	1X69	Blade Mounting Bolt
17	15X84	Hex Nut	53	20105	Wheel
18	11X8	E-Ring	54	22994	Mower Housing
19	20066	Drive Cog	55	22976	Torsion Spring R.H.
20	15X76	Flange Locknut	56	9X6	Axle Bolt - Front
21	17X100Z	Washer	56	9X10Z	Axle Bolt - Rear
22	22974Z	Bearing Retainer	57	10851Z	Washer
23	20048	Bearing	58	15X68	Flange Nut
24	22977	Torsion Spring - L.H.	59	22941	Spacer
25	19X6	Shakeproof Washer	60	42194C	Upper Handle
26	1X45	Hex Bolt	61	22958Z	Clutch Control Handle
27	15X88	Hex Nut	62	75079	Clutch Cable Clip
29	22954Z	Wheel Connecting Lever	63	15X66	Keps Nut 1/4"-20
30	32X70	Spring Pin	64	22058	Throttle Control - Slide Action
31	22973	Bracket and Pulley Assembly	65	22975Z	Handle Stop Bracket
32	22989Z	Tie Rod Assembly	66	3X136Z	Screw 1/4"-20X1-1/2"
33	9X8	Bolt	67	22550	Cable Clamp
34	9X1	Bolt	68	42197C	Lower Handle
35	22983Z	Drive Shaft & Sprocket Assembly	69	20087Z	Formed Washer
			70	22968Z	Cable Bracket
			71	22992	Clutch Cable
				42119	Parts Bag Assembly
				F-5287	Owners Manual