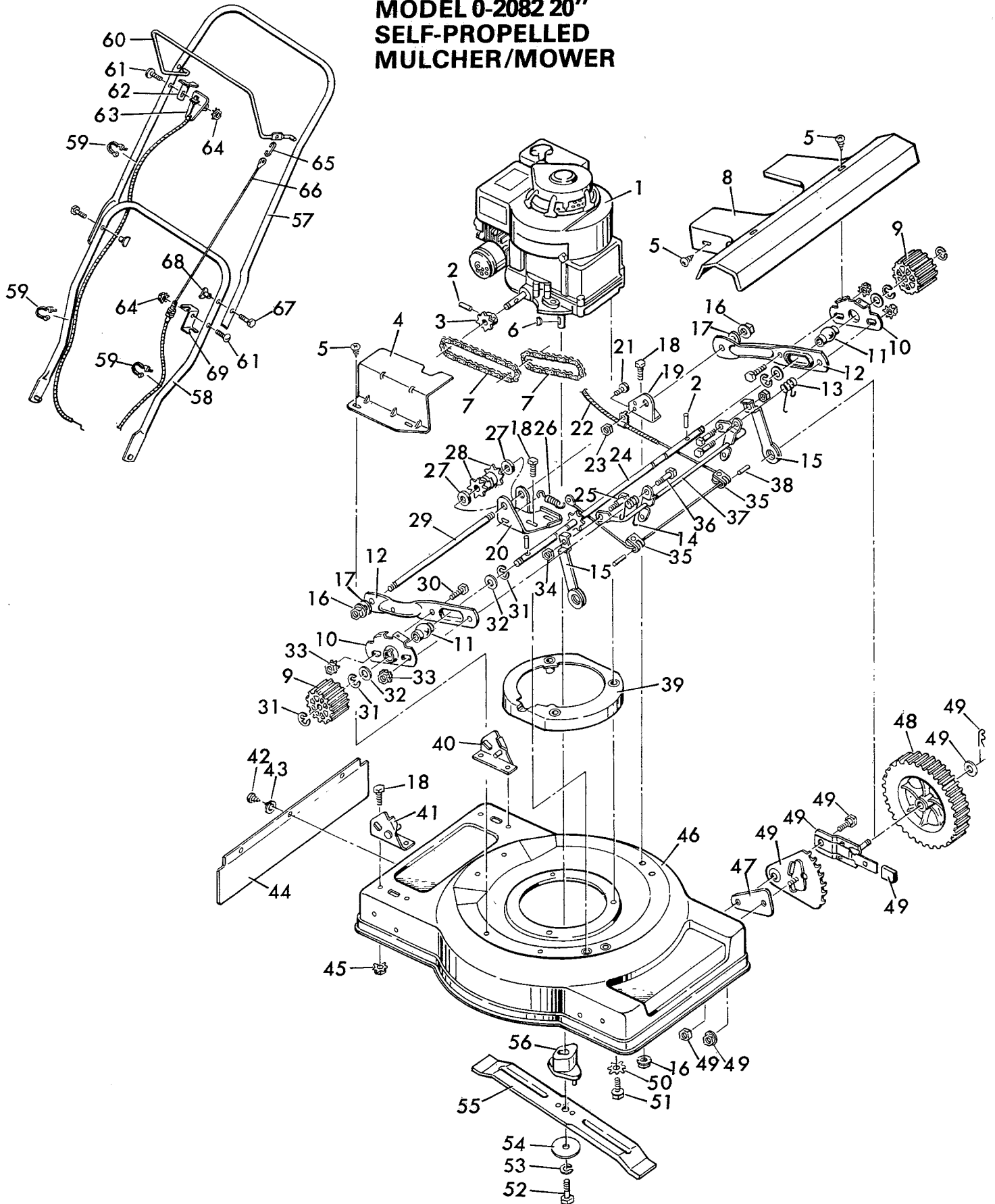


MODEL 0-2082 20" SELF-PROPELLED MULCHER/MOWER



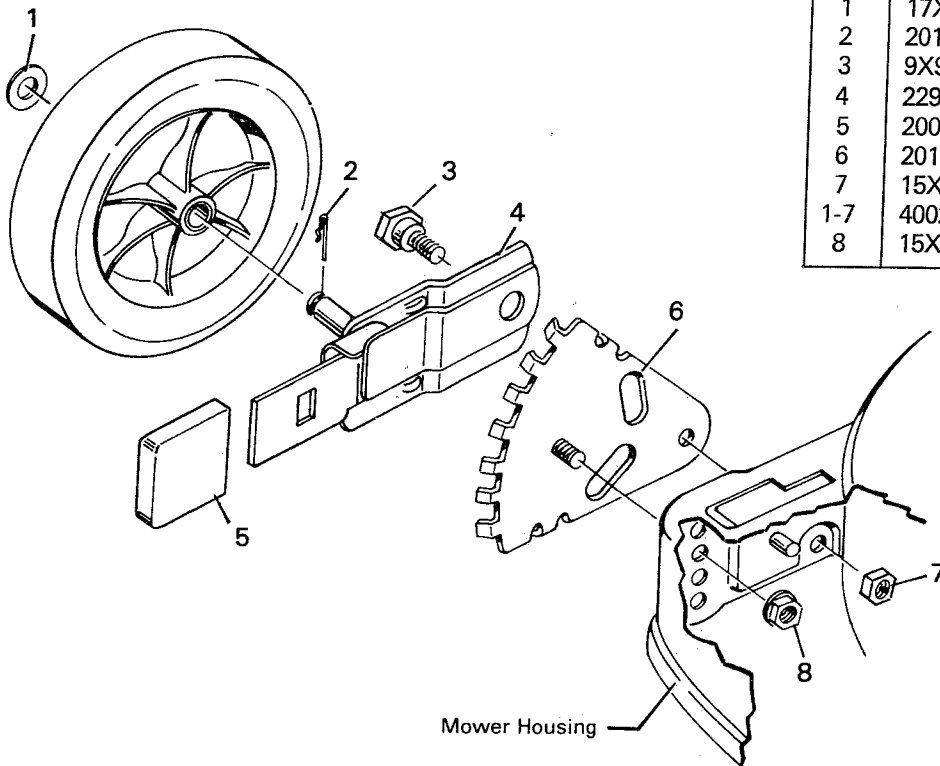
**MODEL 0-2082 20"
SELF-PROPELLED
MULCHER/MOWER**

Key No.	Part No.	Description	Key No.	Part No.	Description
1	-----	Engine	36	9X1	Shoulder Bolt
2	32X64	Spring Pin	37	42052Z	Tie Rod Assembly
3	20411	Sprocket	38	32X70	Spring Pin
4	42289	Primary Chain Cover	39	42251E	Base Plate & Spacer Assembly
5	26X159	Tapping Screw	40	20199Z	L.H. Bracket & Weld Pin Assembly
6	20062	Woodruff Key # 6	41	20198Z	R.H. Bracket & Weld Pin Assembly
7	42108	Roller Chain	42	26X184	Screw
8	42088	Pinion Guard	43	17X17Z	Washer
9	20066	Drive Pinion	44	42204	Rear Guard
10	22974	Bearing Retainer Bracket	45	15X82Z	Hex Flange Nut 1/4"-20
11	20048	Bearing	46	42211	Housing Assembly
12	42063Z	Drive Arm	47	42205Z	Spacer
13	22977	Spring - L.H.	48	20105	Wheel & Tire
14	22976	Spring - R.H.	49	400247	Wheel Adjuster - Complete *
15	42256Z	Wheel Connecting Lever	50	19X8	Shakeproof Washer
16	15X84Z	Flange Locknut 3/8"-16	51	20102	Bolt - Engine Mount
17	17X124	Washer	52	1X68	Bolt - Blade Mount
18	1X38Z	Hex Bolt 1/4"-20X5/8"	53	18X31	Spring Lockwasher
19	42253	Drive Yoke Bracket - L.H.	54	20094Z	Washer
20	42254Z	Drive Yoke Bracket - R.H.	55	42222	Blade - 20 Inch
21	4X20	Machine Screw # 10-24X1/2"	56	42002	Blade Adapter
22	42292	Control Cable Assembly	57	22961C	Upper Handle
23	15X51Z	Hex Nut # 10-24	58	42239Z	Lower Handle
24	42083Z	Sprocket & Drive Shaft Assembly	59	22550	Cable Clips
25	9X8	Shoulder Bolt	60	22957Z	Control Handle
26	42018	Spring - Extension	61	3X99	Screw
27	42003	Spacer	62	22975Z	Handle Stop
28	42087	Sprocket	63	22058	Throttle Control
29	42090Z	Axle Drive Yoke Support Bracket	64	15X66	Keps Nut
30	1X45Z	Hex Bolt 5/16"-18X5/8"	65	75079	Clutch Cable Hook
31	11X8	Retainer Ring	66	42292	Control Cable Assembly
32	17X100Z	Washer	67	20412	Hex Bolt
33	15X76	Keps Nut 5/16"-18	68	20410	Tee Nut
34	15X43Z	Stover Nut 5/16"-18	69	22969Z	Cable Bracket
35	22973	Bracket & Pulley Assembly		42270	Parts Bag Assembly
				F-4903	Owner's Manual

* Note: See page 86 for Wheel Adjuster Replacement Parts.

**DELUXE WHEEL ADJUSTER ASSEMBLY
MODEL 400246 & MODEL 400247**

Key No.	Model 400246	Model 400247	Description
1	17X102Z	17X102Z	Washer
2	20101	20101	Hair Pin
3	9X9	9X18	Shoulder Bolt
4	22956Z	22956Z	Arm and Axle Assembly
5	20065	20065	Lever Spring Knob
6	20113Z	42007Z	Index Plate Assembly
7	15X12	15X12	Flange Locknut
1-7	400246	400247	Wheel Adjuster Assembly
8	15X84Z	15X84Z	Locknut



**STANDARD WHEEL ADJUSTER ASSEMBLY
MODELS 400251 & 400252**

Key No.	Part No.	Description
1	17X102Z	Washer
2	20101	Hair Pin
3	42102Z	Wheel Bracket Assembly - Right Front or Left Rear
	42103Z	Wheel Bracket Assembly - Left Front or Right Rear
4	42104Z	Index Plate Assembly
1-4	400251	Wheel Adjuster Assembly Right Front or Left Rear
1-4	400252	Wheel Adjuster Assembly - Left Front or Right Rear
5	15X84Z	Flange Locknut

