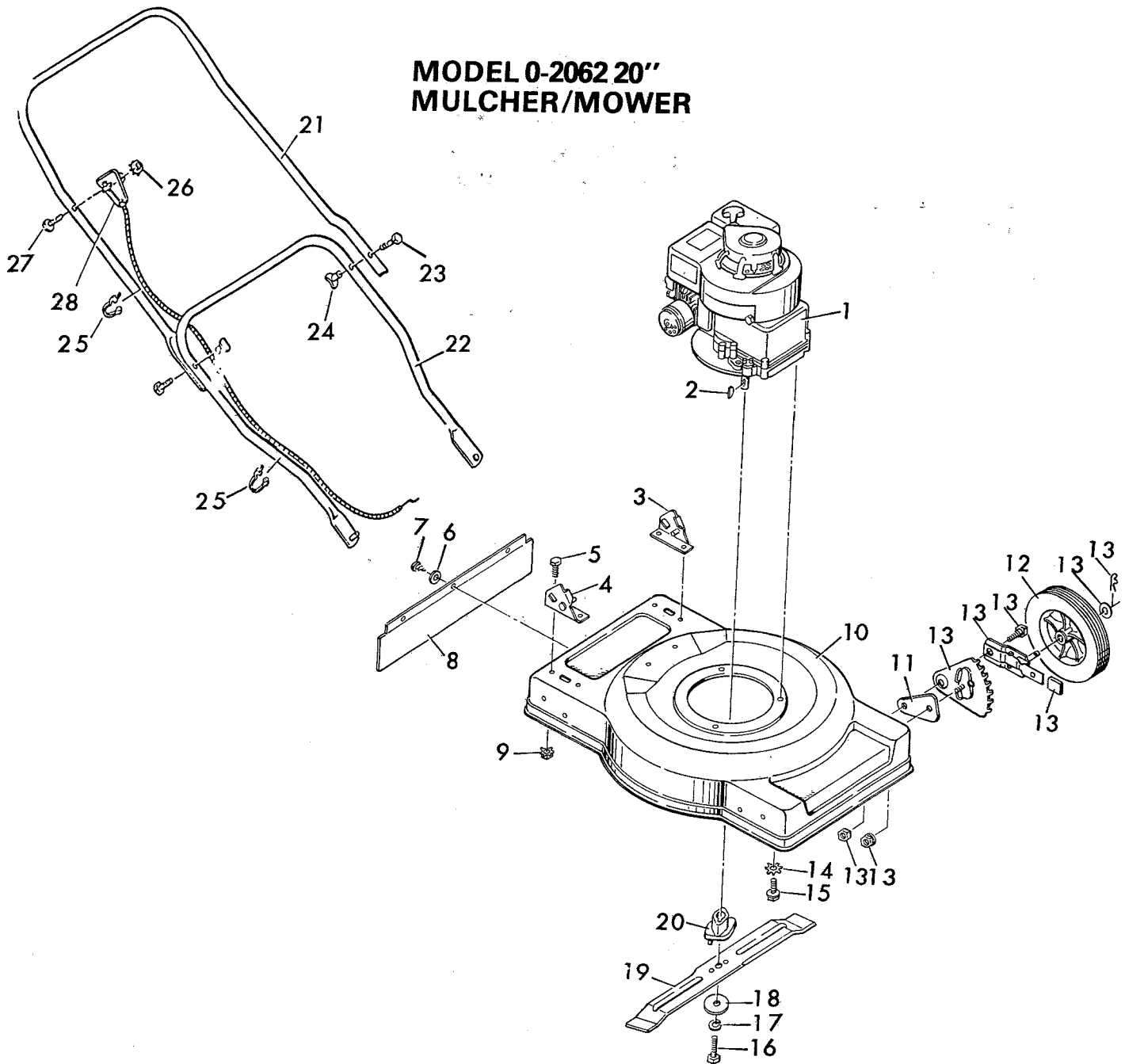


**MODEL 0-2062 20"
MULCHER/MOWER**

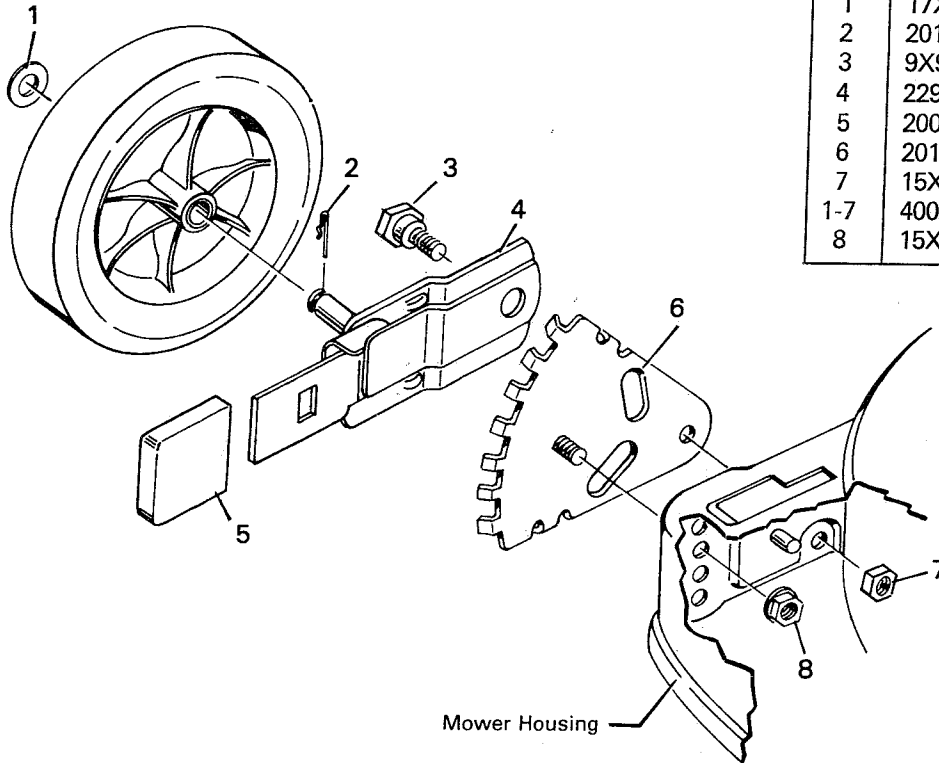


Key No.	Model 0-2062 Part No.	Description	Key No.	Model 0-2062 Part No.	Description
1	-----	Engine	16	1X68	Bolt - Blade Mount
2	20062	Woodruff Key # 6	17	18X31	Spring Lockwasher
3	20199Z	L.H. Bracket & Weld Pin Assembly	18	20094Z	Washer
4	20198Z	R.H. Bracket & Weld Pin Assembly	19	42222	Blade - 20"
5	1X38Z	Hex Bolt 1/4"-20X5/8"	20	20050	Blade Adapter
6	17X17Z	Washer	21	20437C	Upper Handle
7	26X184	Screw	22	42238Z	Lower Handle
8	42204	Rear Guard	23	20412	Hex Bolt
9	15X82Z	Hex Flange Nut 1/4"-20	24	20410	Tee Nut
10	42210	Housing Assembly	25	22550	Cable Clip
11	42205Z	Spacer	26	15X66	Keps Nut
12	20104	Wheel & Tire	27	3X97Z	Screw
13	400247	Wheel Adjuster - Complete	28	22058	Throttle Control
14	19X8	Shakeproof Washer		22062	Parts Bag Assembly
15	20103	Bolt - Engine Mount		F-5052	Owners Manual

* Note: See page 86 for Wheel adjuster Replacement Parts.

**DELUXE WHEEL ADJUSTER ASSEMBLY
MODEL 400246 & MODEL 400247**

Key No.	Model 400246	Model 400247	Description
1	17X102Z	17X102Z	Washer
2	20101	20101	Hair Pin
3	9X9	9X18	Shoulder Bolt
4	22956Z	22956Z	Arm and Axle Assembly
5	20065	20065	Lever Spring Knob
6	20113Z	42007Z	Index Plate Assembly
7	15X12	15X12	Flange Locknut
1-7	400246	400247	Wheel Adjuster Assembly
8	15X84Z	15X84Z	Locknut



**STANDARD WHEEL ADJUSTER ASSEMBLY
MODELS 400251 & 400252**

Key No.	Part No.	Description
1	17X102Z	Washer
2	20101	Hair Pin
3	42102Z	Wheel Bracket Assembly - Right Front or Left Rear
	42103Z	Wheel Bracket Assembly - Left Front or Right Rear
4	42104Z	Index Plate Assembly
1-4	400251	Wheel Adjuster Assembly Right Front or Left Rear
1-4	400252	Wheel Adjuster Assembly - Left Front or Right Rear
5	15X84Z	Flange Locknut

