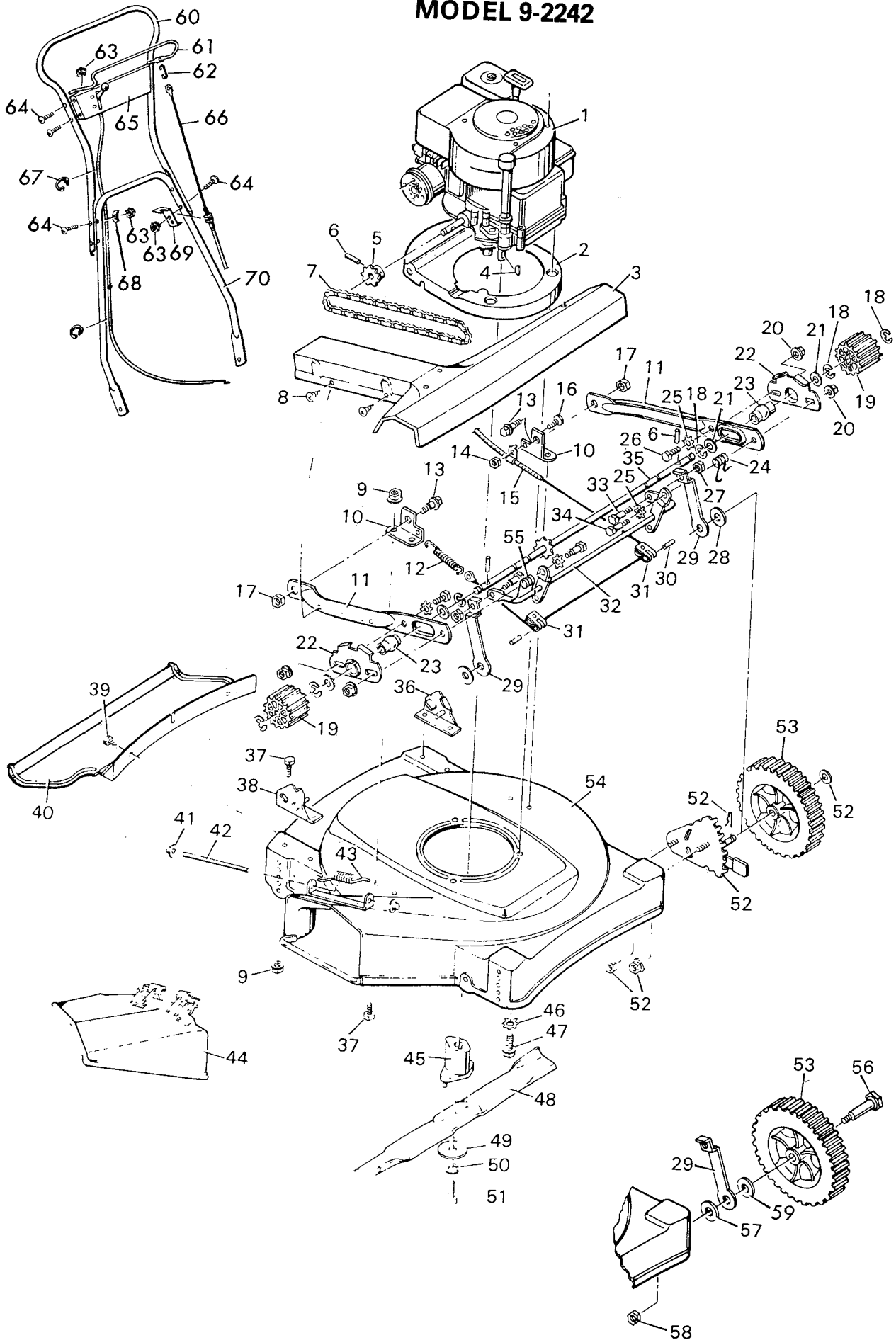


### MODEL 9-2242

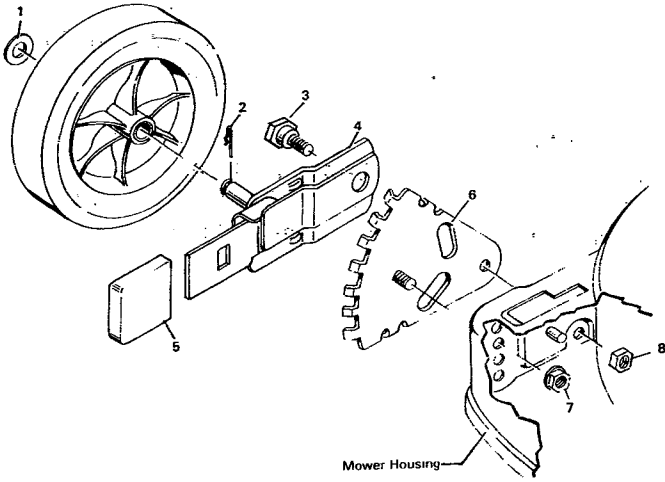


**MODEL 9-2242**

Key No.	Part No. 9-2242	Description	Key No.	Part No. 9-2242	Description
1	-----	Engine	37	1X38Z	Hex Bolt
2	20054	Engine Base	38	20198	Bracket & Weld Pin Assembly - R.H.
3	402014	Chain & Pinion Guard Assembly	39	26X186	Screw
4	20062	Woodruff Key	40	20452	Rear Guard
5	20411	Engine Sprocket	41	28X42	Push-On-Cap
6	32X64	Spring Pin	42	22050Z	Pivot Rod
7	20108	Roller Chain	43	22052	Torsion Spring
8	26X159	Screw	44	20454	Chute Deflector
9	15X82Z	Flange Locknut	45	20051	Blade Adapter
10	22953Z	Drive Yoke Support Bracket	46	19X8	Shakeproof Washer
11	22963Z	Drive Arm	47	20102	Engine Bolt
12	22618	Spring	48	20046	Blade
13	9X15	Shoulder Bolt	49	20094	Blade Washer
14	15X51	Hex Nut	50	18X31	Spring Lockwasher
15	22992	Clutch Cable	51	1X69	Blade Mounting Bolt
16	4X20	Machine Screw	52	400246	Wheel Adjuster Assembly*
17	15X84Z	Hex Nut	53	20105	Wheel
18	11X8	E-Ring	54	22994	Mower Housing
19	20066	Drive Cog	55	22976	Torsion Spring R.H.
20	15X79Z	Flange Locknut	56	None	Axle Bolt
21	17X100Z	Washer	57	None	Washer
22	22974Z	Bearing Retainer	58	None	Flange Nut
23	20048	Bearing	59	None	Spacer
24	22977	Torsion Spring - L.H.	60	22965C	Upper Handle
25	19X6	Shakeproof Washer	61	22958Z	Clutch Control Handle
26	1X45	Hex Bolt	62	22959	Clutch Cable Hook
27	15X43	Hex Nut	63	15X66	Keps Nut 1/4"-20
28	17X120	Washer	64	3X136Z	Screw 1/4"-20X1-3/8"
29	22955Z	Wheel Connecting Lever	65	402013	Control Plate & Throttle Control
30	32X70	Spring Pin	66	22992	Clutch Cable
31	22973	Bracket and Pulley Assembly	67	22550	Cable Clamp
32	22952Z	Tie Rod Assembly	68	20087Z	Formed Washer
33	9X8	Bolt	69	22968Z	Cable Bracket
34	9X1	Bolt	70	20058C	Lower Handle
35	22150Z	Drive Shaft & Sprocket Assembly			
36	20199Z	Bracket & Weld Pin Assembly - L.H.			

\* For complete parts list information for Wheel Adjuster Assembly Model 400246, see page 4.

## WHEEL ADJUSTING ASSEMBLY — MODEL 400246



Key No.	Model 400246 Part No.	Description
1	17X102Z	Washer
2	20101	Hair Pin Cotter
3	9X9	Shoulder Bolt
4	22956Z	Arm & Axle Assembly
5	20065	Lever Spring Knob
6	20113Z	Index Plate Assembly
7	15X68	Flange Locknut
8	15X12	Locknut
1-8	400246	Wheel Adjuster Ass'y.