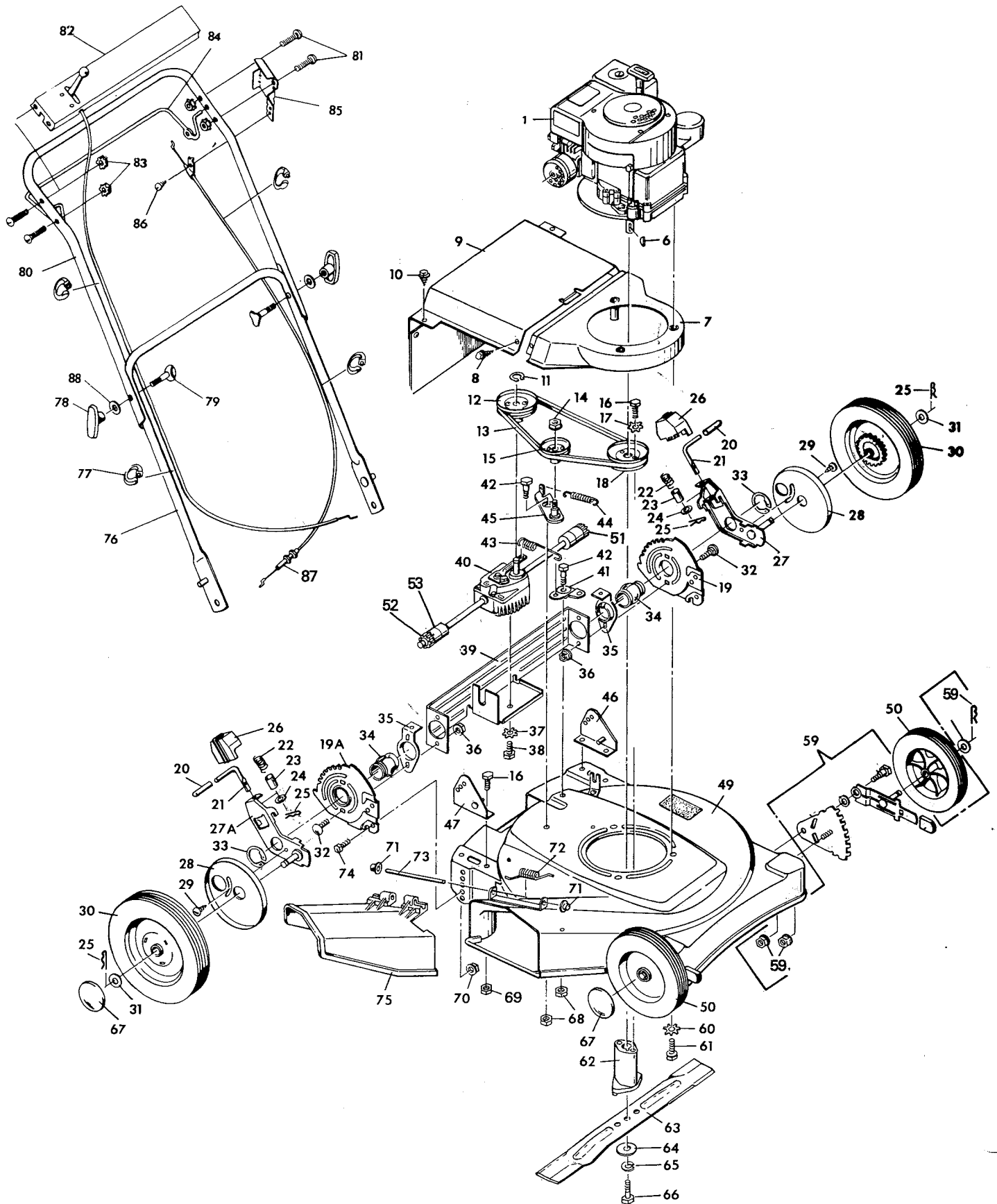


# MODEL 8-2257 22" SELF-PROPELLED ROTARY MOWER



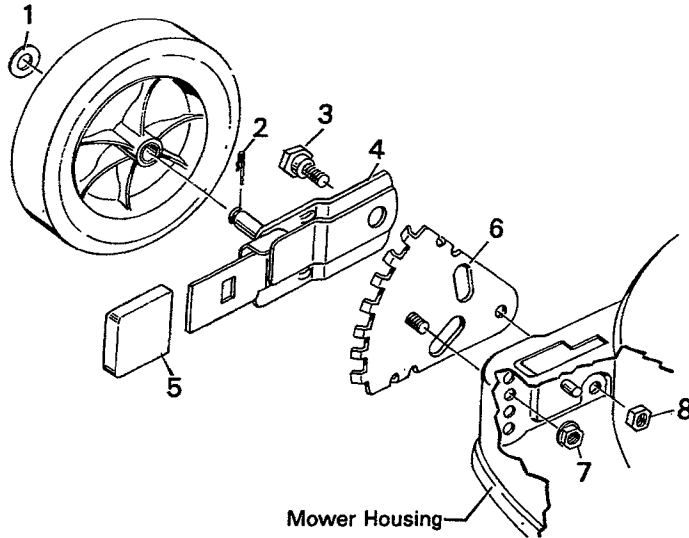
**MODEL 8-2257**

KEY NO.	PART NO.	DESCRIPTION	KEY NO.	PART NO.	DESCRIPTION
1	-----	Engine	43	22618	Transmission Spring
6	20062	Woodruff Key	44	22620	Idler Spring
7	22688	Base & Spacer Ass'y.	45	22660Z	Idler Bracket
9	400206	Transmission Cover & Rear Guard Ass'y.	46	22598Z	R.H. Bracket & Weld Pin Ass'y.
10	26X203	Screw	47	22599Z	L.H. Bracket & Weld Pin Ass'y.
11	11X2	Retainer Ring	49	22261	Housing
12	22617	Transmission Pulley Ass'y.	50	20104	Wheel & Tire Ass'y.
13	22611	Belt-3L-38" Long	51	400207	Ratchet - L.H.
14	15X89Z	Hex Nut	52	400208	Ratchet - R.H.
15	22624	Idler Pulley Ass'y.	53	400209	Ratchet Housing - R. & L.
16	1X38	Hex Bolt 1/4-20X5/8	59	400152	Adjuster-Complete*
17	18X30	Shakeproof Washer	60	19X8	Shakeproof Washer
18	22614Z	Engine Pulley Ass'y.	61	26X205	Engine Bolt
19	22673Z	Index Plat-L.H.	62	22615	Blade Adapter
19A	22672Z	Index Plate-R.H.	63	20046	Blade
20	22628	Height Adjuster Grip	64	20094Z	Washer
21	22670Z	Height Adjuster Lock	65	18X31	Lock Washer
22	22627	Spring	66	1X101	Engine Adapter Bolt
23	22678Z	Spacer	67	22690	Hub Cap
24	17X52Z	Washer	68	15X89Z	Hex Nut
25	20101	Cotter Hair Pin	69	15X82	Hex Nut
26	22679	Height Adjuster Cover	70	15X84Z	Hex Nut
27	22677Z	Axle Bracket Ass'y.-L.H.	71	28X42	Push-On-Cap
27A	22676Z	Axle Bracket Ass'y.-R.H.	72	22052	Torsion Spring
28	22631	Dust Cover	73	22050Z	Pivot Pin
29	26X185	Screw	74	1X85Z	Hex Bolt
30	22713	Wheel, Gear and Tire Ass'y.	75	20454	Chute Deflector
31	17X47Z	Washer	76	22592C	Lower Handle
32	2X39	Carriage Bolt	77	22550	Cable Clip
33	11X1	Retainer Ring	78	20266	Handle Knob
34	22625	Bearing-Rear Axle	79	20129	Contour Bolt
35	22629Z	Bearing Retainer	80	22691C	Upper Handle
36	15X89Z	Hex Nut - 1/4-20	81	3X97Z	Bolt
37	19X4	Shakeproof Washer	82	400177	Throttle Control
38	1X100	Hex Bolt- 1/4-20X 1/2	83	15X66	Keps Nut
39	22668Z	Transmission Plate & Brkt. Ass'y.	84	22655Z	Clutch Lever
40	22610	Transmission * *	85	22653Z	Handle Bracket
41	22650Z	Control	86	26X181	Screw
42	9X2Z	Shoulder Bolt	87	22648	Clutch Cable
			88	17X46Z	Washer
				22728	Parts Bag Ass'y.

\* Note: See page 94 for parts list for 400152 wheel adjuster assembly.

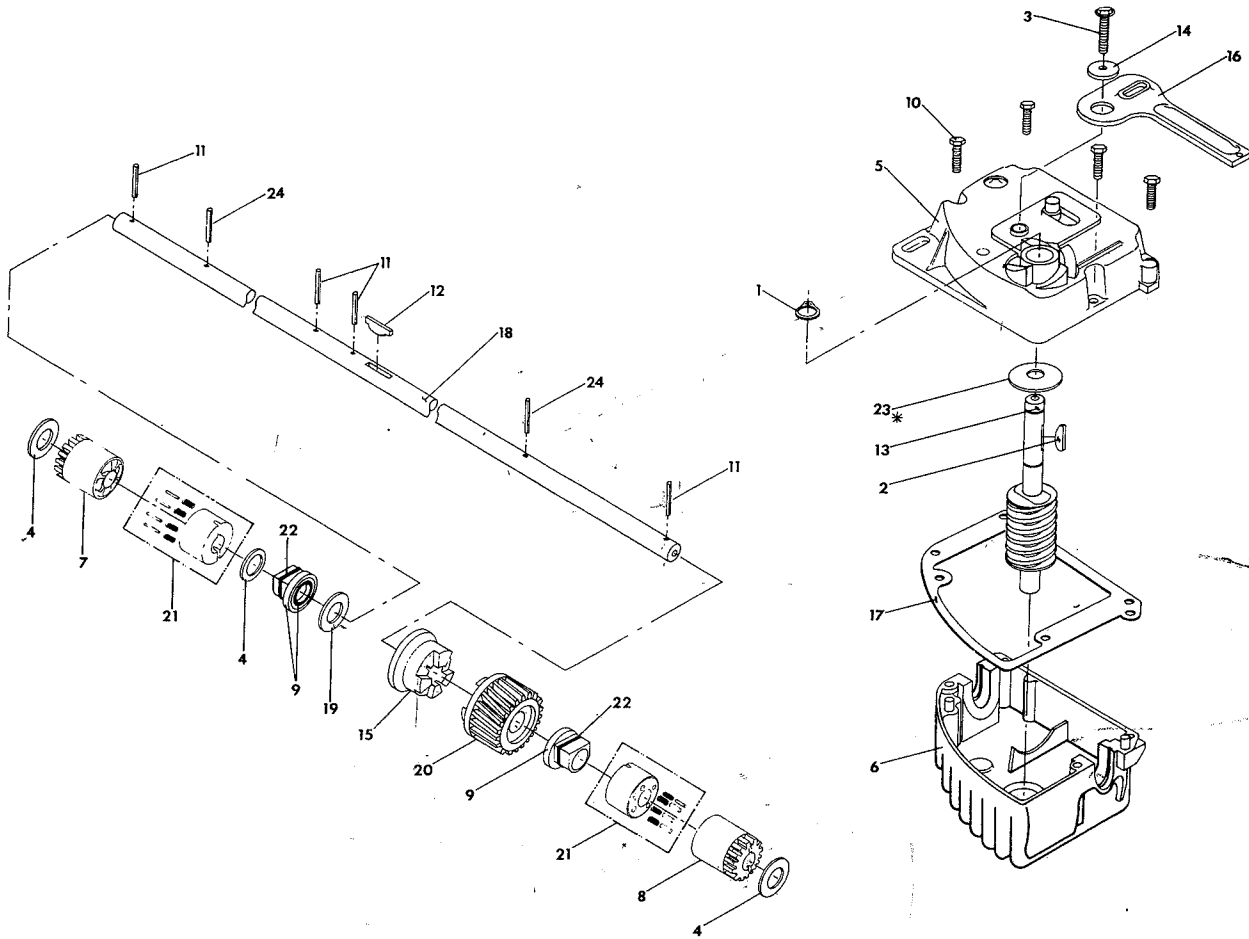
\* \* Note: Complete Illustration of 22610 Transmission shown on page 101.

**MODEL 400152  
WHEEL ADJUSTER ASSEMBLY**



Key No.	Model 400152 Part No.	Description
1	17X102Z	Washer
2	20101	Hair Pin Cotter
3	20064	Shoulder Bolt
4	20109	Arm & Axle Assembly
5	20065	Lever Spring Knob
6	20113Z	Index Plate Assembly
7	15X68	Flange Locknut
8	15X12	Stover Nut
1-8	400152	Wheel Adjuster Assy.

**MODEL 22610 TRANSMISSION  
MODEL 22840 TRANSMISSION**



KEY NO.	PART NO.	DESCRIPTION	KEY NO.	PART NO.	DESCRIPTION
1	400036	Retaining Ring	15	407273	Dog Clutch
2	400055	Woodruff Key # 2	16	407274	Clutch Lever
3	407264	Screw	17	407275	Gasket
4	407130	Washer (2 Per Each Application)	18*	407276	Output Shaft (22610) Output Shaft (22840)
5	407265	Upper Housing Assembly	19	407277	Washer
6	407266	Lower Housing Assembly	20†	407278	Helical Gear
7	400207	Ratchet <i>R.H.</i>	21	400209	Ratchet Housing Assembly
8	400208	Ratchet <i>L.H.</i>	22	407279	Bearing Seal
9	407267	Bearing & Seal Assembly	23* *	407280	Washer .750X.505X.030
10	407268	Hex Bolt	23* *	407277	Washer .940X.505X.030
11	407269	Spiral Pin	23* *	407281	Washer 1.00X.505X.020
12	407270	Hi-Pro Key	24	407282	Spiral Pin
13	407271	Input Shaft-R.H.			
14	407272	Washer			

\* NOTE: Transmission # 's 22610 and 22840 are the same except for Key No. 18 - Output Shafts.

\*\* NOTE: Maximum usage of two (2) per assembly to maintain a maximum of .010 "End Float" in input area.

†NOTE: Use 50 cc. of 85 W oil on this part.