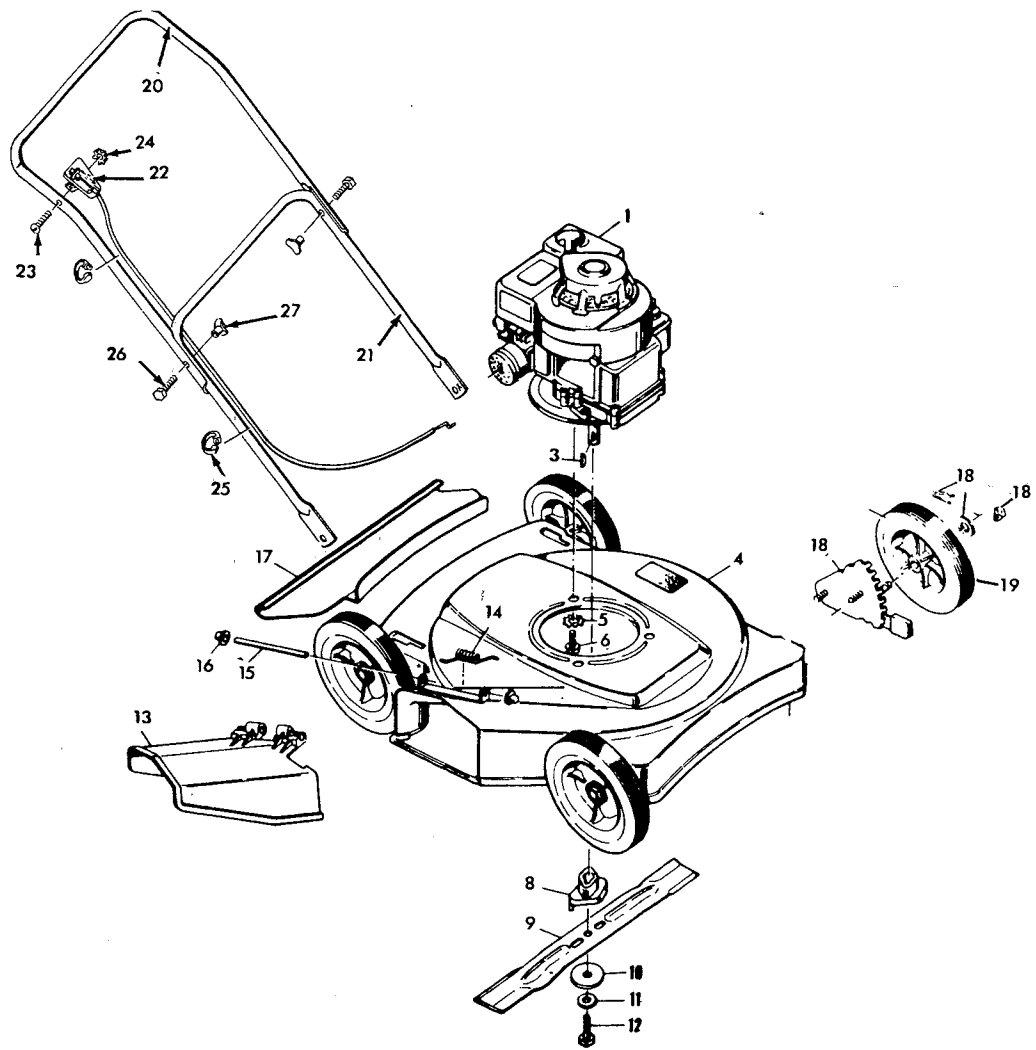


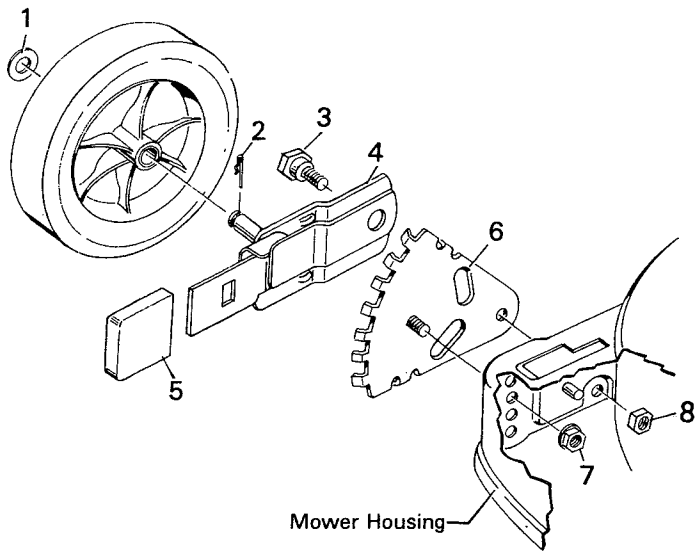
**MODEL 8-2202 22" EQUIPPED  
ROTARY MOWER**



KEY NO.	MODEL 8-2202 PART NO.	DESCRIPTION	KEY NO.	MODEL 8-2202 PART NO.	DESCRIPTION
1	-----	Engine*	16	28X42	Push-On-Cap
3	20062	Woodruff Key	17	407018	Rear Guard
4	22076	Housing	18	400152	Wheel Adjuster*
5	19X8	Shakeproof Washer	19	20270	Wheel & Tire
6	20103	Engine Bolt	20	20437Z	Upper Handle Assy.
8	20050	Blade Adapter	21	20438Z	Lower Handle Assy.
9	20046	Blade	22	22058	Control & Cable
10	20094Z	Washer	23	3X105	Bolt
11	18X31	Cup Washer	24	15X66	Keys Nut
12	1X68	Blade Adapter Bolt	25	22550	Cable Clips
13	20454	Chute Deflector		22442	Parts Bag
14	22052	Torsion Spring	26	20412	Bolt
15	22050Z	Pivot Pin	27	20410	T-Nut

\* NOTE: See page 94 for parts list for 400152 wheel adjuster

**MODEL 400152  
WHEEL ADJUSTER ASSEMBLY**



Key No.	Model Part No.	Description
1	17X102Z	Washer
2	20101	Hair Pin Cotter
3	20064	Shoulder Bolt
4	20109	Arm & Axle Assembly
5	20065	Lever Spring Knob
6	20113Z	Index Plate Assembly
7	15X68	Flange Locknut
8	15X12	Stover Nut
1-8	400152	Wheel Adjuster Assy.