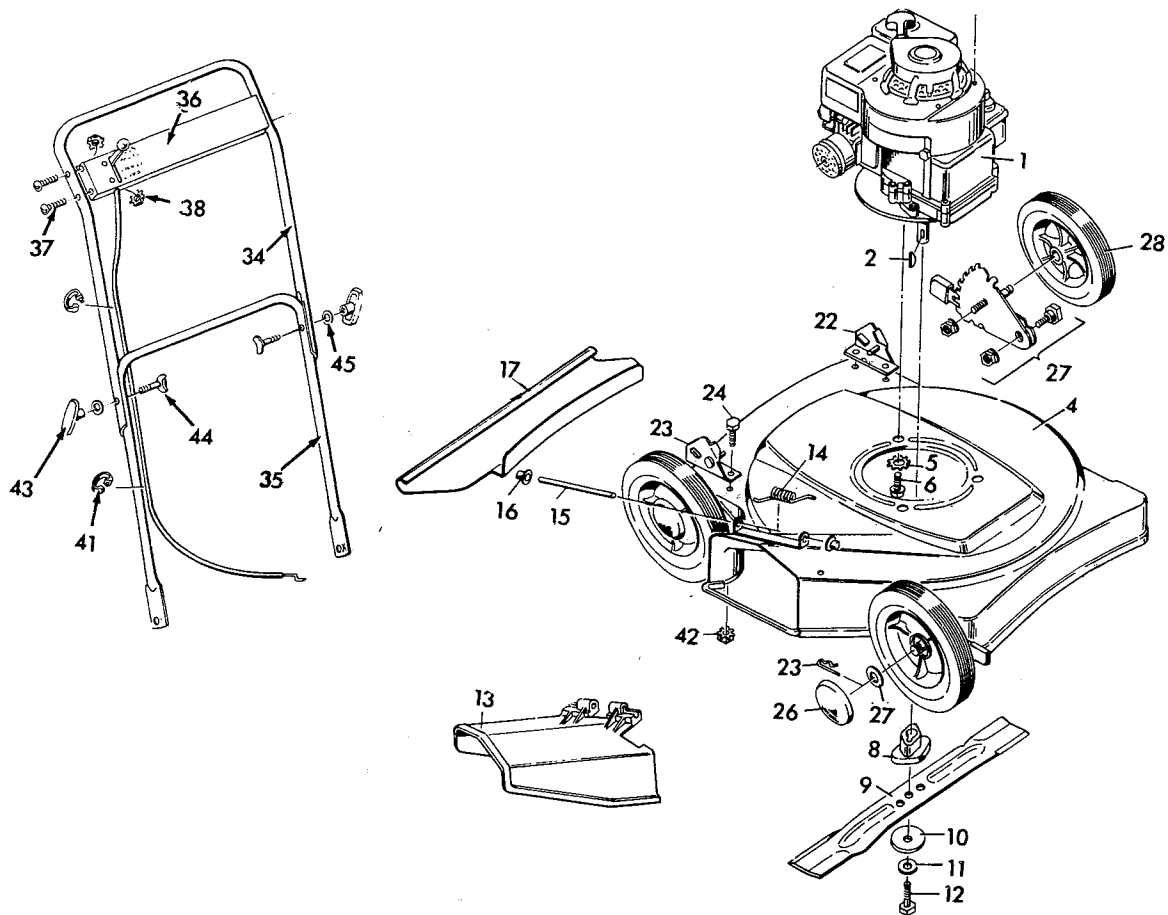


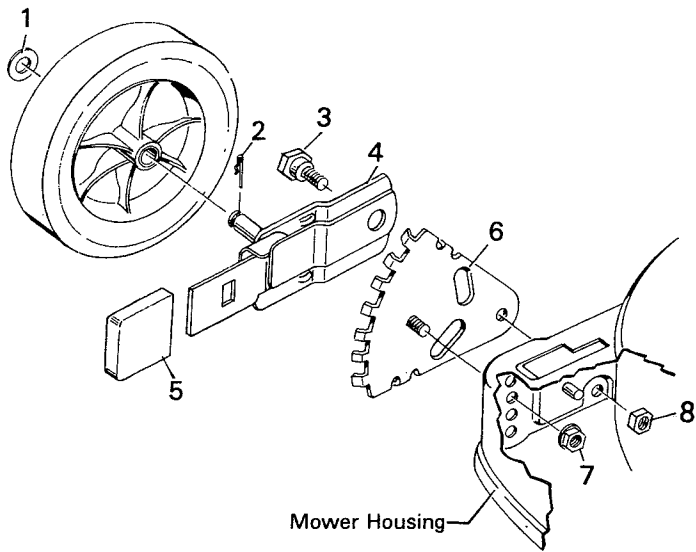
**MODEL 8-2002 20" DELUXE  
ROTARY MOWER**



KEY NO.	MODEL 8-2002 PART NO.	DESCRIPTION	KEY NO.	MODEL 8-2002 PART NO.	DESCRIPTION
1	-----	Engine	22	20199Z	L.H. Bracket & Weld Pin Assy.
2	20062	Woodruff Key	23	20198Z	R.H. Bracket & Weld Pin Assy.
4	22075	Housing	24	1X38	Hex Bolt
5	19X8	Shakeproof Washer	26	20107	Hub Cap
6	20103	Engine Bolt	27	400152	Wheel Adjuster*
8	20050	Blade Adapter	28	20106	Wheel & Tire
9	20045	Blade	34	20436Z	Upper Handle Assy.
10	20094Z	Washer	35	20438Z	Lower Handle Assy.
11	18X31	Cup Washer	36	400177	Control & Cable
12	1X68	Blade Adapter Bolt	37	3X97	Bolt
13	20454	Chute Deflector	38	15X66	Keys Nuts
14	22052	Torsion Spring	41	22550	Cable Clips
15	22050Z	Pivot Pin	42	15X68	Stover Locknut
16	28X42	Push-On-Cap		22467	Parts Bag
17	407017	Rear Guard	43	20266	Handle Knob
			44	20129	Contour Bolt
			45	17X46Z	Washer

\* Note: See page 94 for parts list for 400152 wheel adjuster assembly.

**MODEL 400152  
WHEEL ADJUSTER ASSEMBLY**



Key No.	Model Part No.	Description
1	17X102Z	Washer
2	20101	Hair Pin Cotter
3	20064	Shoulder Bolt
4	20109	Arm & Axle Assembly
5	20065	Lever Spring Knob
6	20113Z	Index Plate Assembly
7	15X68	Flange Locknut
8	15X12	Stover Nut
1-8	400152	Wheel Adjuster Assy.