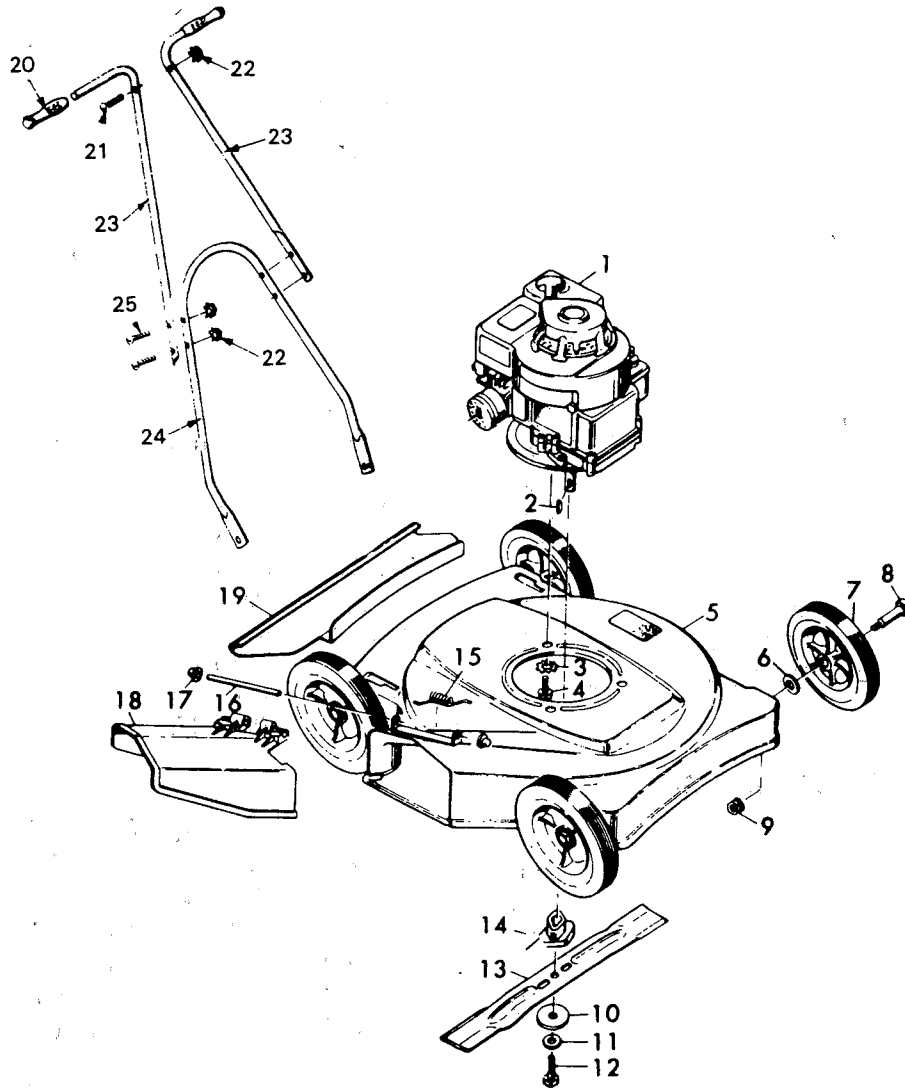


**MODEL 8-1801 18" TRIM  
ROTARY MOWER**



KEY NO.	MODEL 8-1801 PART NO.	DESCRIPTION	KEY NO.	MODEL 8-1801 PART NO.	DESCRIPTION
1	-----	Engine	15	22052	Torsion Spring
2	20062	Woodruff Key	16	22050Z	Pivot Pin
3	19X8	Shakeproof Washer	17	28X42	Push-On-Cap
4	20103	Engine Bolt	18	20454	Chute Deflector
5	22070	Housing Assy .	19	407016	Rear Guard Panel
6	10851Z	Washer	20	20718	Grip
7	22127	Wheel & Tire	21	3X105	Bolt
8	20086	Axle Bolt	22	15X66	Keps Nut
9	15X68	Flange Locknut	23	20307Z	Upper Handle R.H. & L.H.
10	20094Z	Washer	24	20308Z	Lower Handle Assy.
11	18X31	Cup Washer	25	3X97	Bolt
12	1X68	Blade Adapter Bolt		20370	Parts Bag
13	20059	Blade			
14	20050	Blade Adapter			