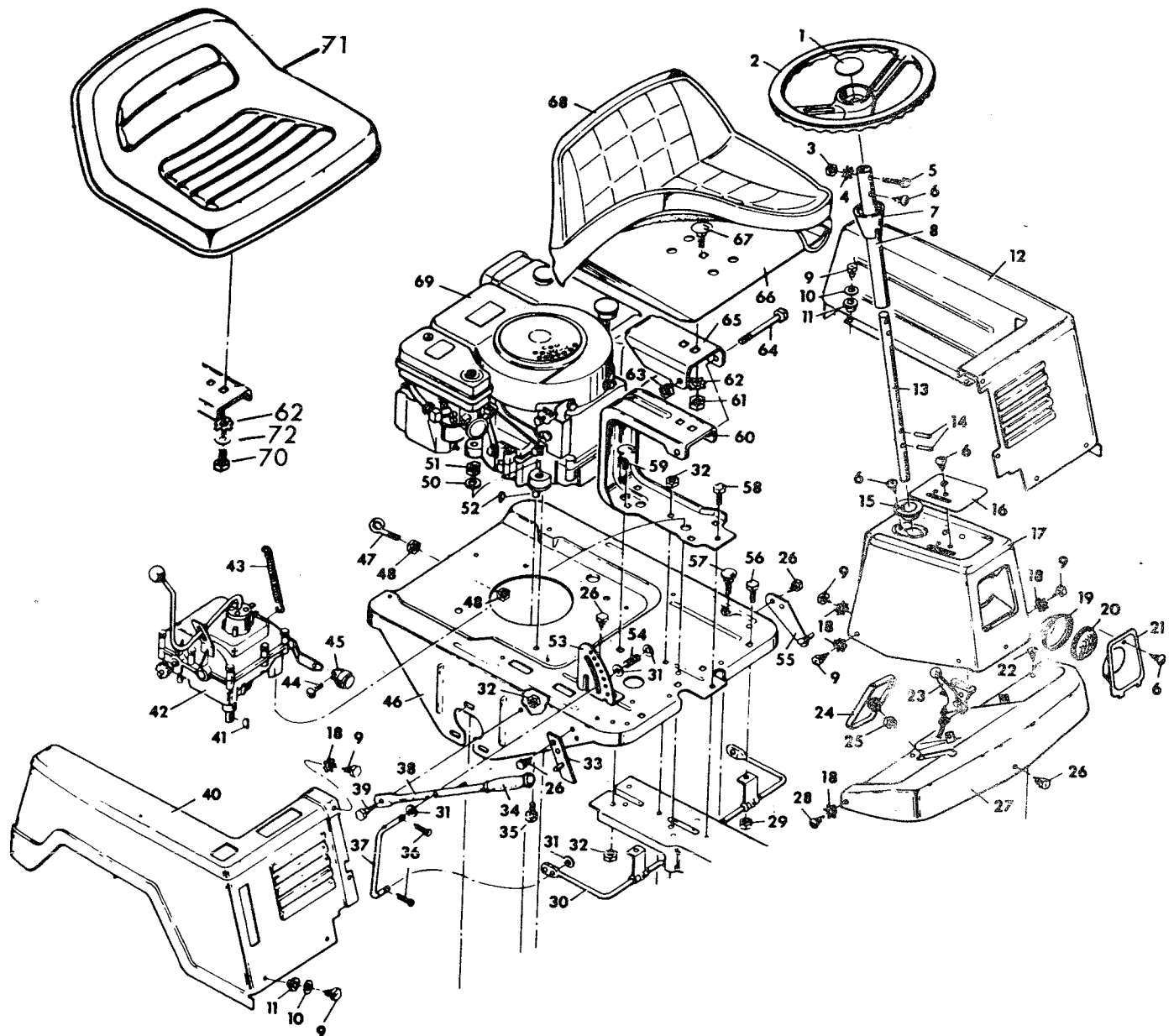


**MODEL 7-3013
MODEL 7-3033
RIDING MOWER - TOP HALF**



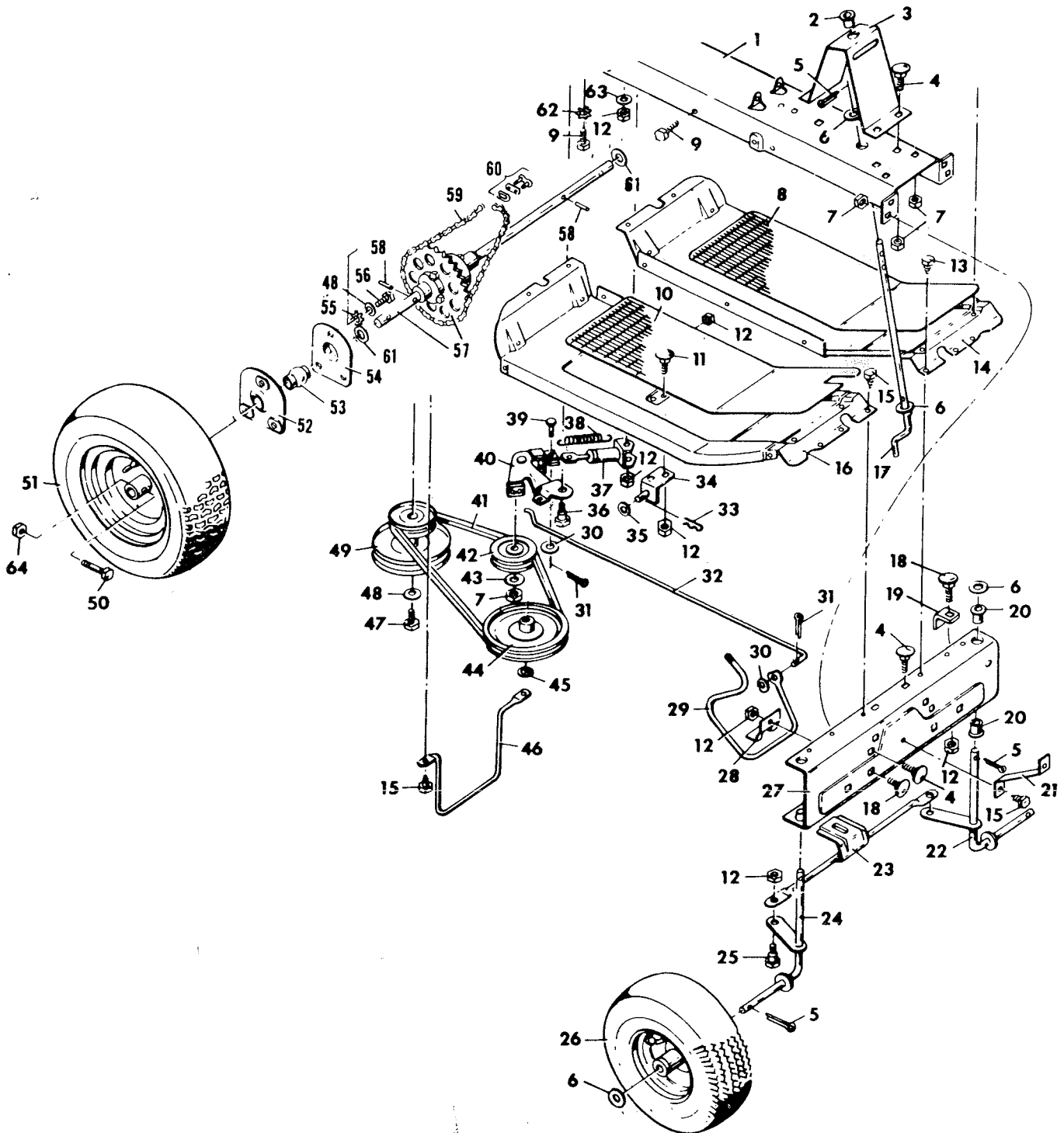
**MODEL 7-3013
MODEL 7-3033
RIDING MOWER - TOP HALF**

KEY NO.	MODEL 3013	MODEL 3033	DESCRIPTION	KEY NO.	MODEL 3013	MODEL 3033	DESCRIPTION
1	21303	21303	Steering Wheel Cap	37	20672Z	20672Z	Connector Rod
2	21302	21302	Steering Wheel	38	20658	20658	Lever & Pin Ass'y.
3	15X1	15X1	Hex Nut 1/4-20	39	20661	20661	Shoulder Bolt
4	19X4	19X4	Shakeproof Washer	40	20792	20792	Shroud Ass'y. R.H.
5	6X58	6X58	Hex Bolt 1/4-20X1 1/2	41	20697	20697	Woodruff Key
6	26X159	26X159	Self Tapping Screw #8X3/8	42	21370PA	21370PA	Transmission**
7	21171	21171	Steering Wheel Collar	43	21021	21021	Spring
8	21172C	21172C	Sleeve	44	26X188	26X188	Screw
9	26X184	26X184	Hex Tapping Screw #10X5/8	45	20841	20841	Knob
10	17X106	17X106	Washer	46	20530	20530	Engine Base
11	20720	20720	Grommet	47	20696	20696	Eye Bolt
12	20599	20795	Shroud Ass'y. L.H.	48	15X33	15X33	Hex Nut 3/8-24
13	20865	20865	Steering Post	50	17X47Z	17X47Z	Plain Washer
14	32X70	32X70	Spring Pins	51	15X42	15X42	Locknut 5/16-24
15	21034	21034	Nylon Bearings	52	20062	20062	Woodruff Key
16	21241	21243	Control Plate	53	20636	20636	Index Bracket
17	20497	20498	Console Assembly	54	20680	20680	Lifter Spring
18	19X1	19X1	Shakeproof Washer	55	20510	20510	Hanger & Pin Assembly L.H.
19	None	20502	Bezel Reflector	56	1X45	1X45	Hex Bolt 5/16-18X5/8
20	None	20516	Lens	57	2X58	2X58	Carriage Bolt
21	None	20501C	Bezel	58	26X51	26X51	Hex Tapping Screw 5/16X3/4
22	26X179	26X179	Screw #10X1/2	59	2X56	2X56	Carriage Bolt 3/8-16X7/8
23	21222PA	21223PA	Throttle Control	60	21984	21984	Seat Bracket
24	20575E	20575E	Pedal	61	15X64	15X64	Hex Nut
25	15X63	15X63	Hex Nut	62	19X36	19X36	Shakeproof Washer
26	26X50	26X50	Hex Tapping Screw	63	15X43Z	15X43Z	Hex Nut
27	20473	20473	Apron Assembly	64	None	1X78	Bolt
28	26X186	26X186	Truss. Hd. Tap Screw #10X1/2	65	None	21048Z	Seat Hinge
29	15X43	15X43	Locknut 5/16-18	66	20727	20727	Seat Pan
30	20635	20635	Lifting Rod & Hinge Ass'y.	67	2X55	2X55	Carriage Bolt
31	17X46Z	17X46Z	Plain Washer	68	20728	20728	Seat Pad
32	15X68	15X68	Flange Nut 3/8-16	69	-----	-----	Engine*
33	21300	21300	Hanger & Pin Ass'y. R.H.	70	1X88	1X88	Hex Bolt
34	20718	20718	Grip	71	21811	21811	Seat
35	1X66	1X66	Hex Bolt 5/16-24X1 1/4	72	17X67	17X67	Plain Washer
36	30X20	30X20	Cotter Pin		21817	21817	Parts Bag

*NOTE: Your Engine Model, Type and Code Number is stamped on the Blower Housing. All parts pertaining to this engine are available from the Briggs and Stratton Parts and Service Station listed in the yellow pages of the classified Telephone Directory.

**NOTE: Complete illustration of transmission shown on page 68.

**MODEL 7-3013
MODEL 7-3033
RIDING MOWER - LOWER HALF**

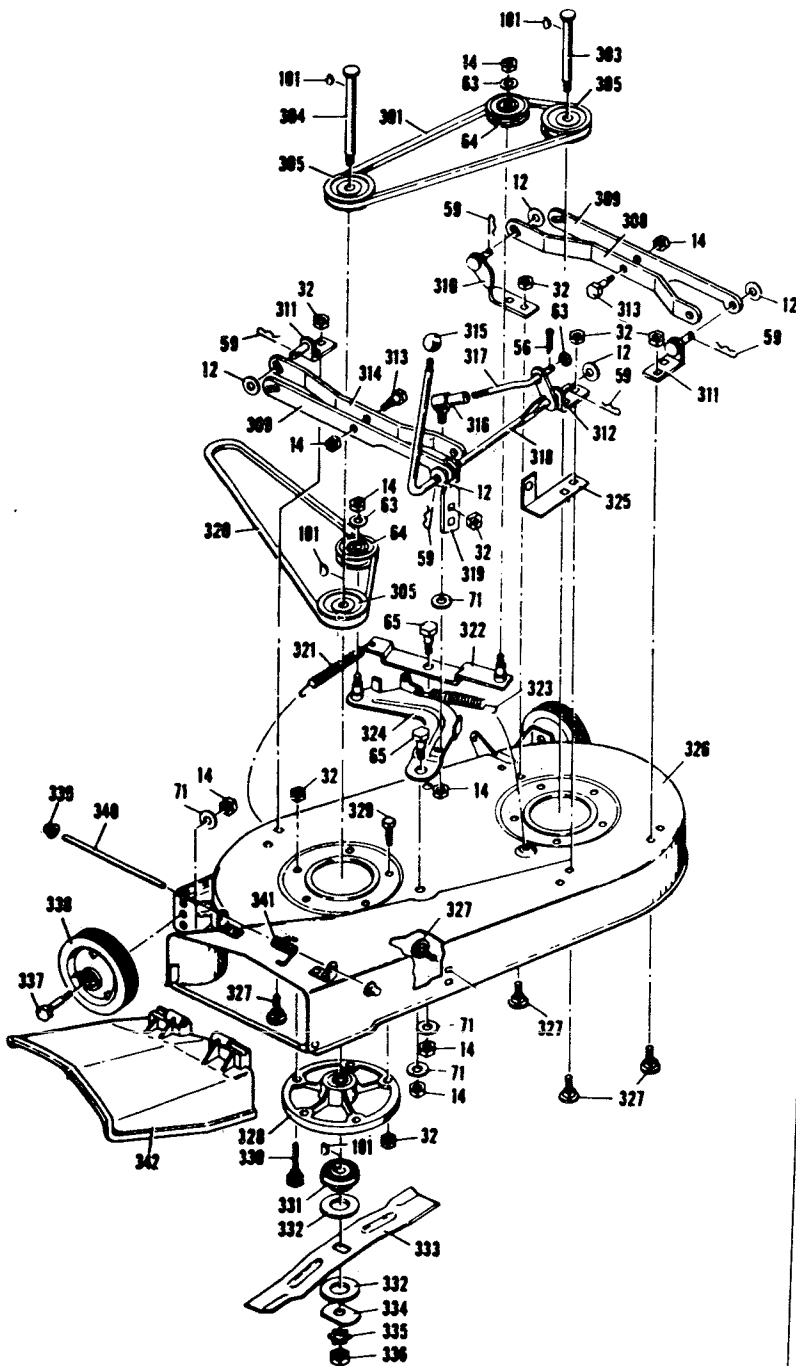


**MODEL 7-3013
MODEL 7-3033
RIDING MOWER PARTS LIST - LOWER HALF**

KEY NO.	PART NO.	DESCRIPTION	KEY NO.	PART NO.	DESCRIPTION
1	20493	Frame Channel	33	20692	Hair Pin Cotter
2	20587	Nylon Bearing	34	20996	Hanger Bracket
3	21071	Steering Support	35	17X67Z	Washer
4	2X56	Carriage Bolt 3/8-16X3/4	36	20662	Shoulder Bolt
5	30X49	Cotter Pin	37	20891	Air Cylinder
6	17X100Z	Plain Washer	38	20682	Spring - Drive Idler
7	15X84	Locknut 3/8-16	39	29X94	Clevis Pin
8	20691	Mat L.H.	40	20670	Drive Idler Ass'y.
9	1X45	Hex Bolt 5/16-18X5/8	41	20716	Drive Belt (1/2"X37")
10	20690	Mat R.H.	42	20613	Idler Pulley
11	2X53	Carriage Bolt 5/16-18X5/8	43	17X53Z	Plain Washer
12	15X79	Hex Nut 5/16-18	44	20614	Transmission Pulley
13	26X50	Hex Tapping Screw 5/16X5/8	45	20698	Retainer Ring
14	20541	Running Board - L.H.	46	20515	Belt Guide
15	6X46	Hex Tapping Screw 5/16 X5/8	47	1X20	Hex Bolt 3/8-24X1
16	20540	Running Board - R.H.	48	10851Z	Washer
17	20864	Lower Steering Post	49	20626Z	Stack Pulley Ass'y.
18	2X53	Carriage Bolt 5/16-18X5/8	50	1X81	Hex Bolt 5/16-18X1-5/8
19	20709	Stop Brace	51	20752	Rear Wheel & Tire
20	20587	Nylon Bearing		133X3	Tire Only
21	20639	Apron Support		135X3	Wheel Only
22	21309	Spindle & Arm Ass'y.-L.H.		400162	Valve Stem & Cap - Tubeless
23	21304	Tie Bar	52	21009Z	Outer Bearing Retainer
24	21308	Spindle & Arm Ass'y.-R.H.	53	20568	Rear Axle Bearing
25	20660	Shoulder Bolt	54	20570Z	Inner Bearing Retainer
26	20743	Front Wheel & Tire	55	19X7	Shakeproof Washer
	133X2	Tire Only	56	1X77	Hex Bolt 3/8-24X5/8
	134X2	Tube Only	57	20685	Differential*
	135X2	Wheel Only	58	32X65	Spring Pin
	20745	Front Wheel Bearing (Not Shown)	59	20732	Chain & Link
27	20545	Front Axle Beam	60	20730	Connecting Link #41 Chain
28	20572	Clamp	61	61961Z	Washer
29	20645	Clutch & Brake Lever	62	19X6	Shakeproof Washer
30	17X37Z	Plain Washer	63	17X45	Plain Washer
31	30X20	Cotter Pin	64	15X43Z	Lock Nut
32	20669	Brake Rod			

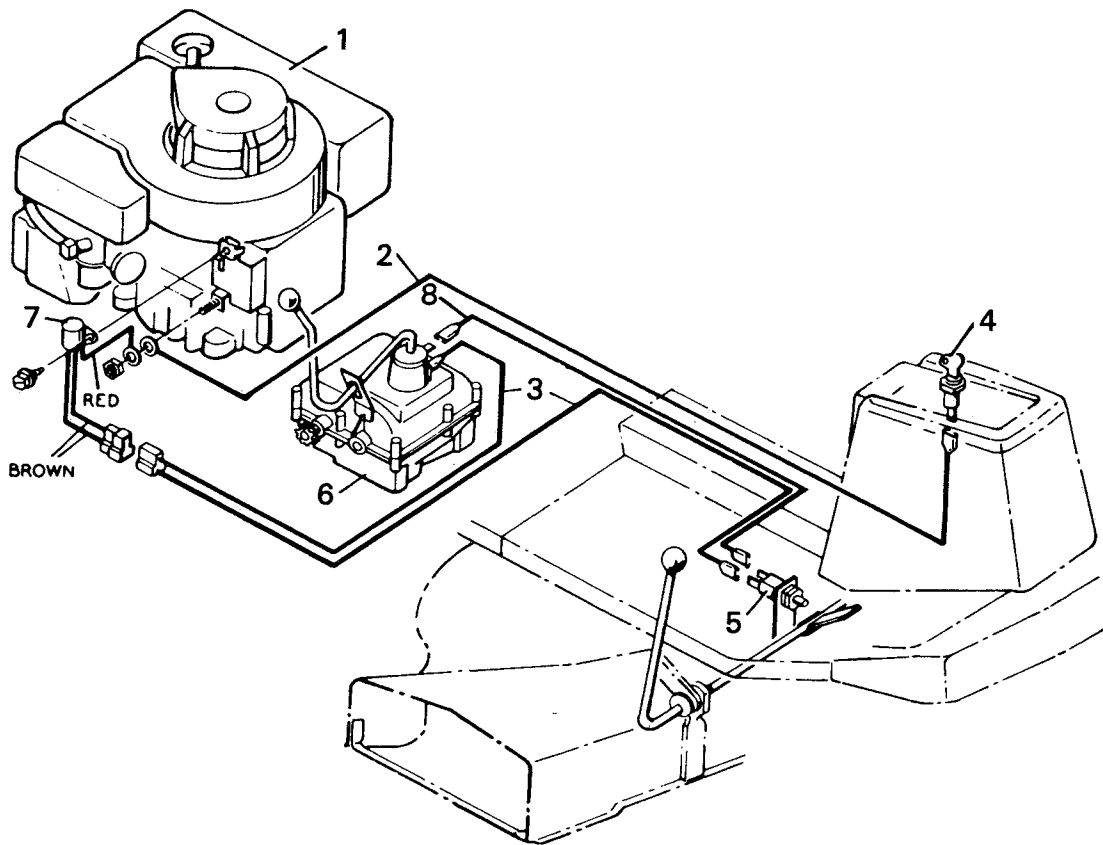
*NOTE: Complete illustration of differential shown on page 72.

**MODEL 7-3013
MODEL 7-3033
BLADE HOUSING**



KEY NO.	PART NO.	DESCRIPTION
12	17X67Z	Plain Washer
14	15X84	Locknut (3/8-16)
32	15X43Z	Locknut (5/16-18)
56	30X20	Cotter Pin
59	20692	Hair Pin Cotter
63	17X53Z	Plain Washer
64	20613	Idler Pulley
65	20662	Shoulder Bolt
71	10851Z	Plain Washer
101	20062	Woodruff Key #6
301	20555	Cross Drive Belt 1/2"X41"
303	20616	Jack Shaft - Short
304	21024	Jack Shaft - Long
305	21022	Pulle
308	20643	Inner Arm-L.H.
309	20644	Outer Arm
310	21020	Scissors Brkt. Assy.
311	20994	Hanger Brkt. Assy.
312	20936	Hanger Brkt.
313	20661Z	Shoulder Bolt
314	20642	Inner Arm-P.H.
315	20739	Knob
316	21031	Ball Joint
317	20509Z	Link Rod
318	21138C	Lever & Link Assy.
319	21019	Housing Brkt.
320	20556	Primary Blade Belt (1/2" X48")
321	20682	Idler Spring
322	21139Z	Idler Brkt. Assy.
323	20684	Drive Spring
324	20653	Blade Idler Brkt. Assy.
325	21216	Safe Switch Retainer
326	21219	Housing & Brkt. Assy.
327	2X53	Carriage Bolt
328	20551	Jack Shaft Housing Assy.
329	1X84	Hex Bolt (5/16-18X7/8)
330	20619	Guide Bolt
331	20617	Blade Adapter
332	20618	Blade Cushion
333	20928	Blade
334	20663Z	Washer
335	19X36	Shake Proof Washer
336	15X72	Blade Mounting Nut (1/2X20)
337	20086	Axle Bolt
338	21027	Gauge Wheel
339	28X23	Push-On-Cap
340	21197Z	Deflector Rod
341	21189	Torsion Spring
342	21826	Chute Deflector
400171		Complete Blade Housing Ass'y.

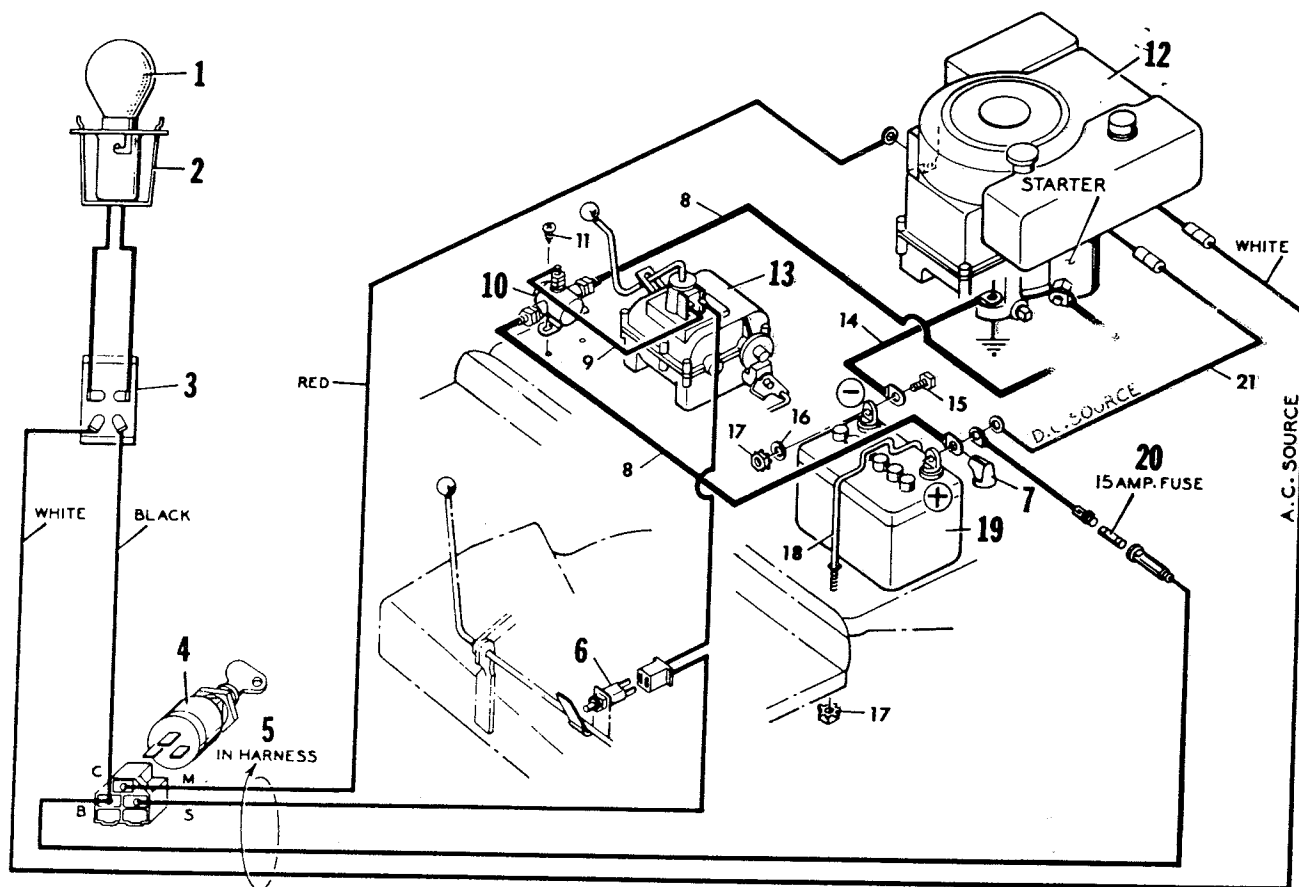
**MODEL NO. 3013 (RECOIL START)
WIRING DIAGRAM**



KEY NO.	PART NO.	DESCRIPTION
1	-----	Engine
2	20610	Jumper Wire
3	21364	Wiring Harness
4	21211PA	Stop Switch Key
5	20608PA	Limit Switch
6	21370PA	Transmission
7	21361	Control Module
8	20609	Jumper Wire
	20756	Key Only

MODEL NO. 3033 (ELECTRIC START WITH HEADLIGHTS)

WIRING DIAGRAM



D-2003

KEY NO.	PART NO.	DESCRIPTION	KEY NO.	PART NO.	DESCRIPTION
1	20775	Light	12	----	Engine
2	20774	Socket	13	21370PA	Transmission
3	20776PA	Light Switch	14	20762	Ground Battery Cable
4	21571PA	Switch & Key	15	1X38Z	Bolt
5	21840	Wiring Harness	16	17X36Z	Washer
6	20608PA	Limit Switch	17	15X66	Keys Nut
7	20609	Jumper Wire	18	21060Z	Battery Hold Down
8	21264	Battery Wire - Long	19	21075	Battery
9	21298	Jumper Wire	20	21023	Fuse - 15 Amp.
10	21261	Solenoid	21	21296	Jumper Wire
11	26X184	Screw	22	21080	Fuse - 7.5 Amp.†
				20756	Key Only

†Some engines are equipped with a diode and the 7.5 amp. fuse is not required on these type.