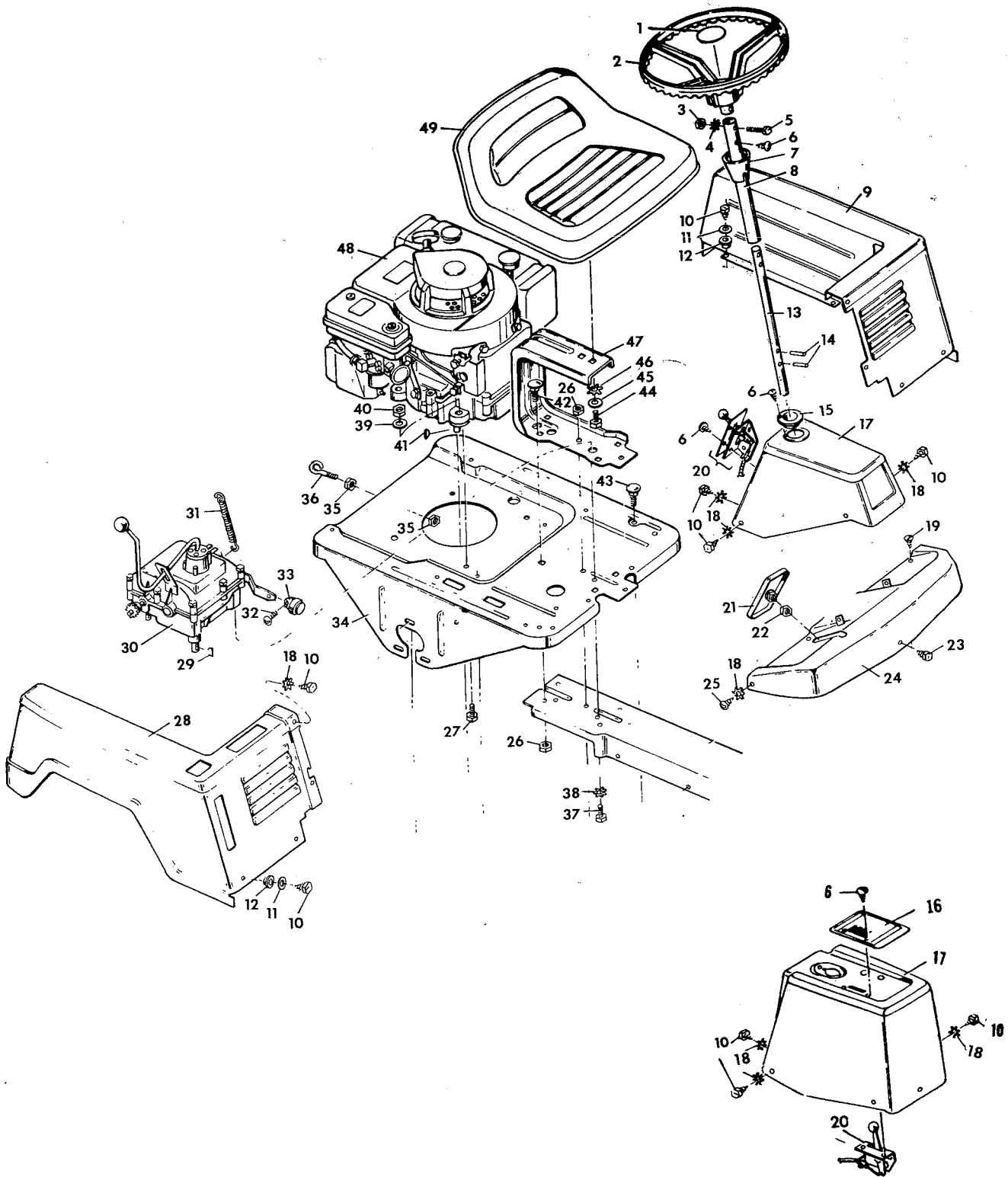


Model 6-2503
Model 6-2513
Riding Mower - Top Half



**Model 6-2503
Model 6-2513**

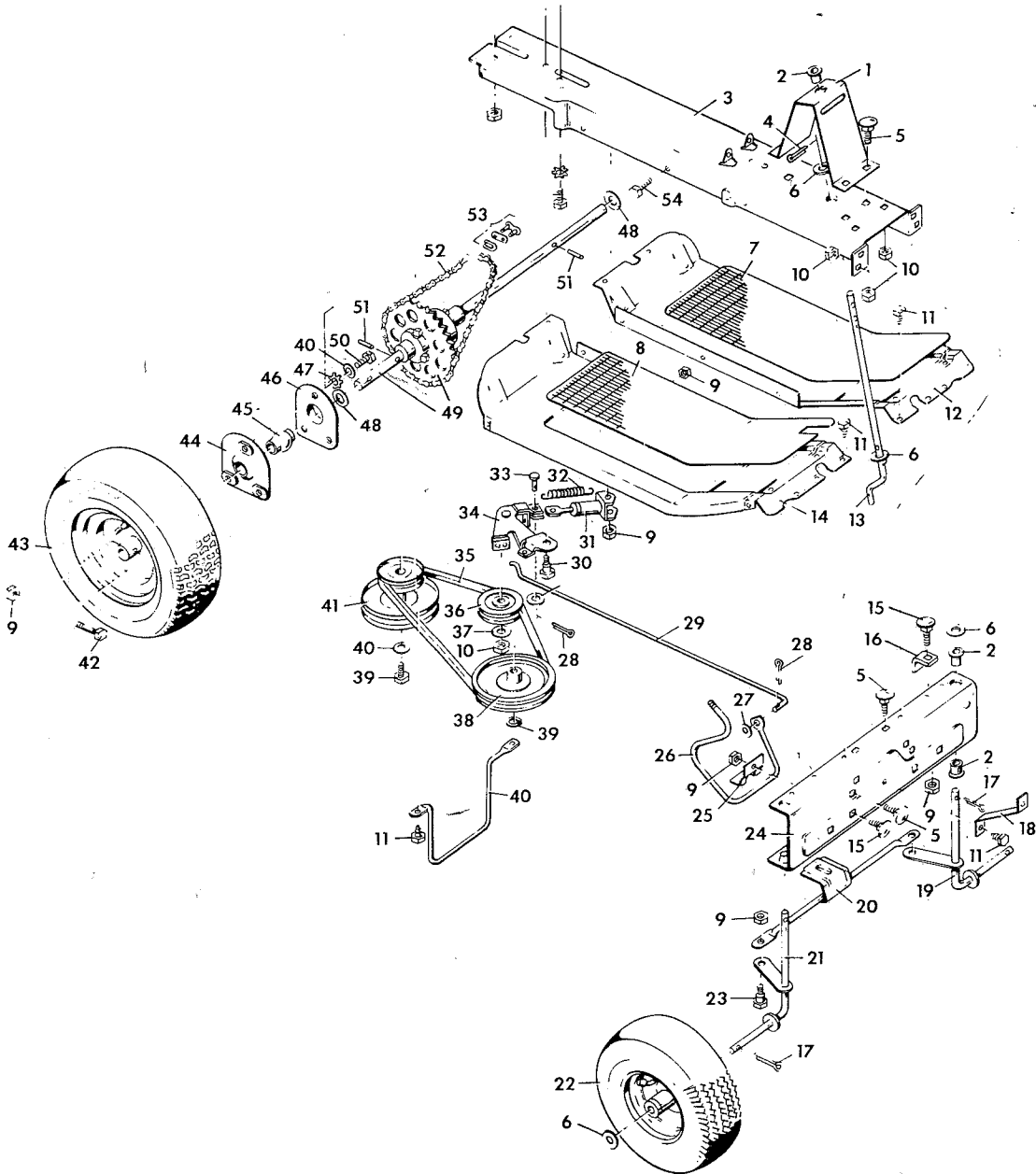
**Riding Mower - Top Half
Parts List**

Key No.	Model 2513	Model 2503	Description	Key No.	Model 2513	Model 2503	Description
1	21303	21303	Steering Wheel Cap	28	20792	21117	Shroud Ass'y. R. H.
2	21302	21302	Steering Wheel	29	20697	20697	Woodruff Key
3	15X17	19X4	Hex Nut ¼ -20	30	21370PA	21370PA	Transmission* *
4	19X4	19X4	Shakeproof Washer	31	21021	21021	Spring
5	6X58	6X58	Hex Bolt ¼ - 20 x 1½	32	26X188	26X188	Screw
6	26X159	26X159	Self Tapping Screw #8 x 3/8	33	20841	20841	Knob
7	21171	21171	Steering Wheel Collar	34	20530	20530	Engine Base
8	21172C	21172C	Sleeve	35	15X33	15X33	Hex Nut 3/8 - 24
9	20599	20599	Shroud Ass'y. L.H.	36	20696	20696	Eye Bolt
10	26X184	26X184	Hex Tapping Screw #10 x 5/8	37	1X45	1X45	Hex Bolt 5/16 - 18 X 5/8
11	17X106	17X106	Washer	38	19X6	19X6	Shakeproof Washer
12	20720	20720	Grommet	39	17X47Z	17X47Z	Plain Washer
13	20865	20865	Steering Post	40	15X42	15X42	Locknut 5/16 - 24
14	32X70	32X70	Spring Pins	41	20062	20062	Woodruff Key
15	21034	21034	Nylon Bearing	42	20661	20661	Shoulder Bolt
16	21241	None	Control Plate	43	2X58	2X58	Carriage Bolt
17	20497	20565	Console Assembly	44	1X88	1X88	Hex Bolt
18	19X1	19X1	Shakeproof Washer	45	17X67	17X67	Plain Washer
19	26X179	26X179	Screw #10 x ½	46	19X36	19X36	Shakeproof Washer
20	21222PA	21221	Throttle Control	47	21984	21984	Seat Bracket
21	20575E	20575E	Pedal	48	---	---	Engine*
22	15X63	15X63	Hex Nut	49	21811	21811	Seat
23	26X50	26X50	Hex Tapping Screw	50	15X64	15X64	Hex Nut
24	20473	20473	Apron Assembly	54	20727	20727	Seat Pan
25	26X186	26X186	Truss Hd. Tap Screw #10 x ½	55	2X55	2X55	Carriage Bolt
26	15X68	15X68	Flange Nut 3/8-16	56	20728	20728	Seat Pad
27	1X66	1X66	Hex Bolt 5/16-24 X 1¼		21817	21817	Parts Bag

* NOTE: Your Engine Model, Type and Code Number is stamped on the Blower Housing. All parts pertaining to this engine are available from the Briggs and Stratton Parts and Service Station in the yellow pages of the classified Telephone Directory.

**NOTE: Complete illustration of transmission shown on page 79.

Model 6-2503
Model 6-2513
Riding Mower - Lower Half



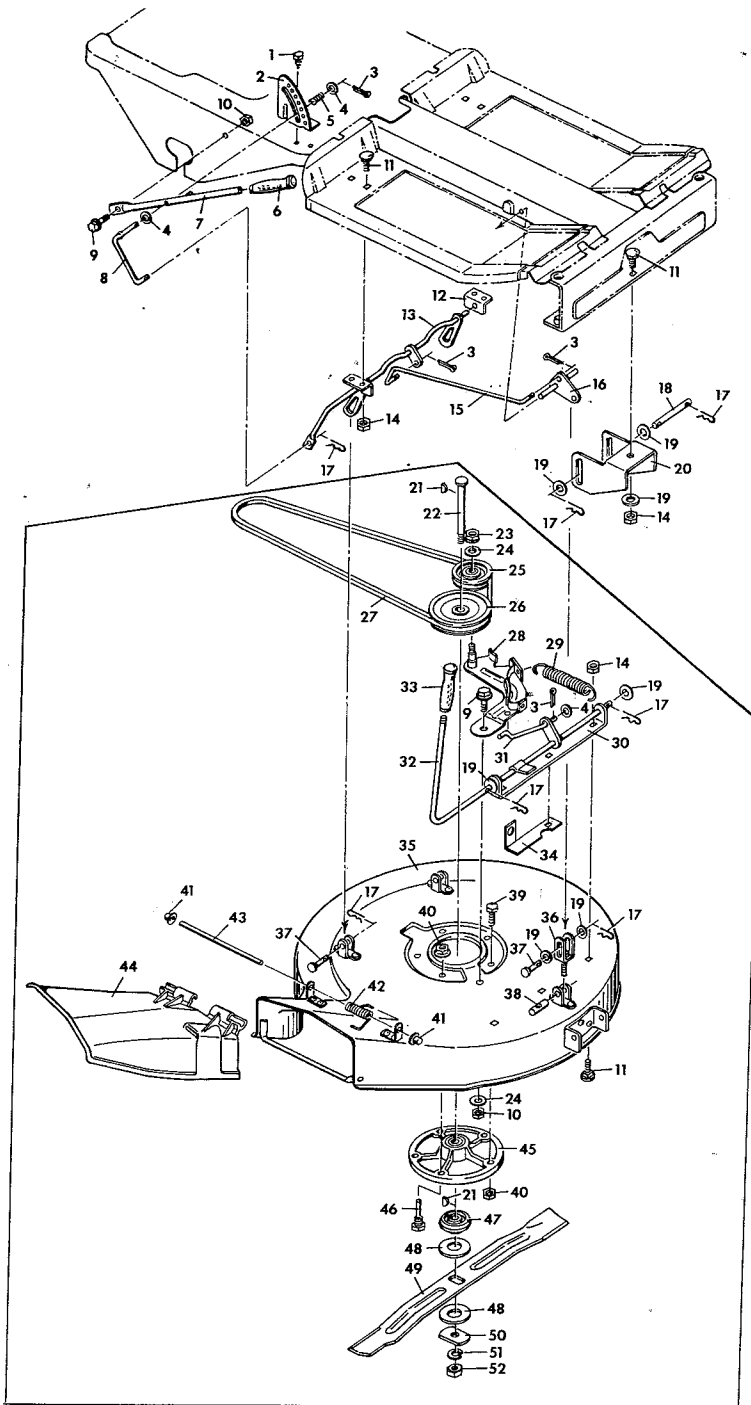
Model 6-2503
Model 6-2513

Riding Mower - Lower Half

Key No.	Part No.	Description	Key No.	Part No.	Description
1	21071	Steering Support	28	30X20	Cotter Pin
2	20587	Nylon Bearing	29	20669	Brake Rod
3	20544	Frame Channel	30	20662	Shoulder Bolt
4	30X49	Cotter Pin	31	20891	Air Cylinder
5	2X56	Carriage Bolt 3/8 - 16 x 3/4	32	20682	Spring
6	17X100Z	Plain Washer	33	29X94	Clevis Pin
7	20691	Mat L.H.	34	20670	Drive Idler Ass'y.
8	20690	Mat R.H.	35	20716	Drive Belt (1/2" x 37")
9	15X79	Hex Nut 5/16 - 18	36	20613	Idler Pulley
10	15X84	Locknut 3/8 - 16	37	17X53Z	Plain Washer
11	26X50	Hex Tapping Screw 5/16 x 5/8	38	20614	Transmission Pulley
12	21894	Running Board L.H.	39	20698	Retainer Ring
13	20864	Lower Steering Post	40	20515	Belt Guide
14	21873	Running Board R.H.	41	20626Z	Stack Pulley Ass'y.
15	2X58	Carriage Bolt 5/16-18 x 5/8	42	1X81	Hex Bolt 5/16 - 18 x 1-5/8
16	20709	Stop Brace	43	20751	Rear Wheel & Tire (2503)
17	30X49	Cotter Pin		133X1	Tire Only (2503)
18	20639	Apron Support		134X1	Tube Only (2503)
19	21309	Spindle & Arm Ass'y. L.H.		135X1	Wheel Only (2503)
20	21993	Tie Bar		20752	Rear Wheel & Tire (2513)
21	21308	Spindle & Arm Ass'y. R.H.		133X3	Tire Only (2513)
22	20742	Front Wheel & Tire (2503)		135X3	Tube Only (2513)
	20743	Front Wheel & Tire (2513)		400162	Valve Stem & Cap - Tubeless
	133X2	Tire Only	44	21009Z	Outer Bearing Retainer
	134X2	Tube Only	45	20568	Rear Axle Bearing
	135X2	Wheel Only	46	20570Z	Inner Bearing Retainer
	20745	Front Wheel Bearing (Not Shown)	47	19X7	Shakeproof Washer
23	20660	Shoulder Bolt	48	61961Z	Washer
24	20545	Front Axle Beam	49	20685	Differential*
25	20572	Clamp	50	1X77	Hex Bolt 3/8 - 24 x 5/8
27	17X37Z	Plain Washer	51	32X65	Spring Pin
			52	20732	Chain & Link
			53	20730	Connecting Link #41 Chain
			54	1X45	Hex Bolt 5/16 - 18 x 5/8

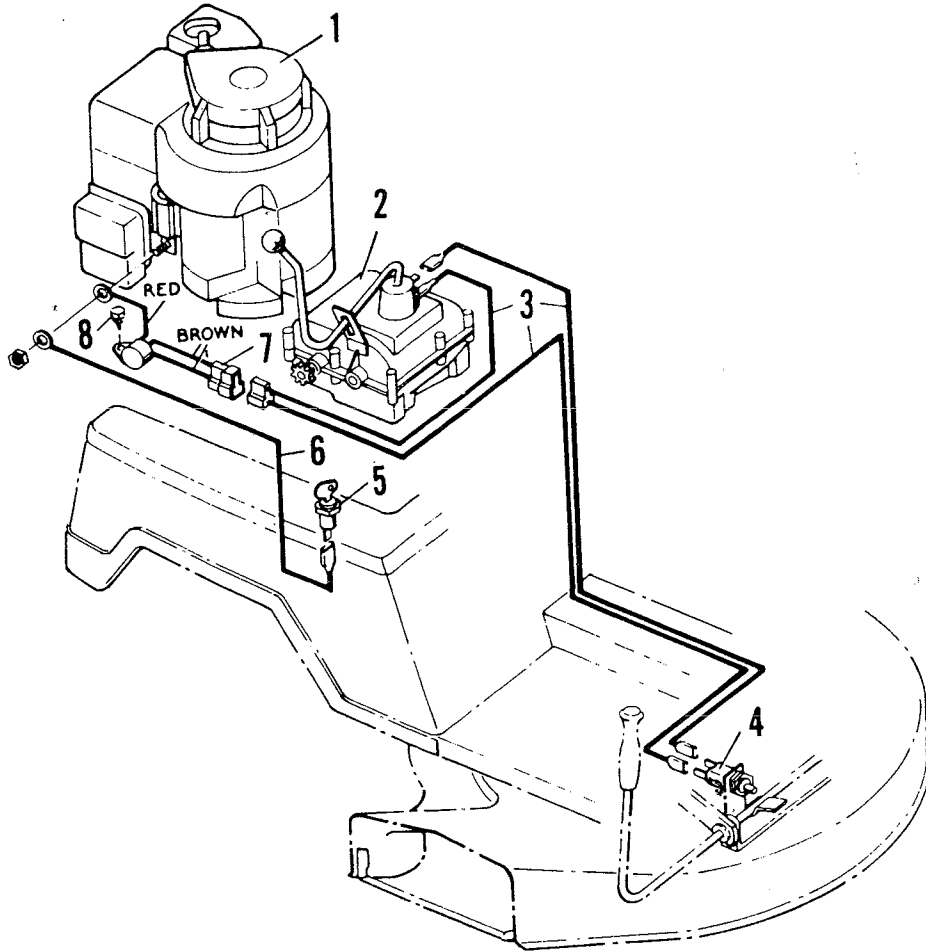
*NOTE: Complete illustration of differential shown on page 85.

**Model 6-2503
Model 6-2513
Blade Housing**



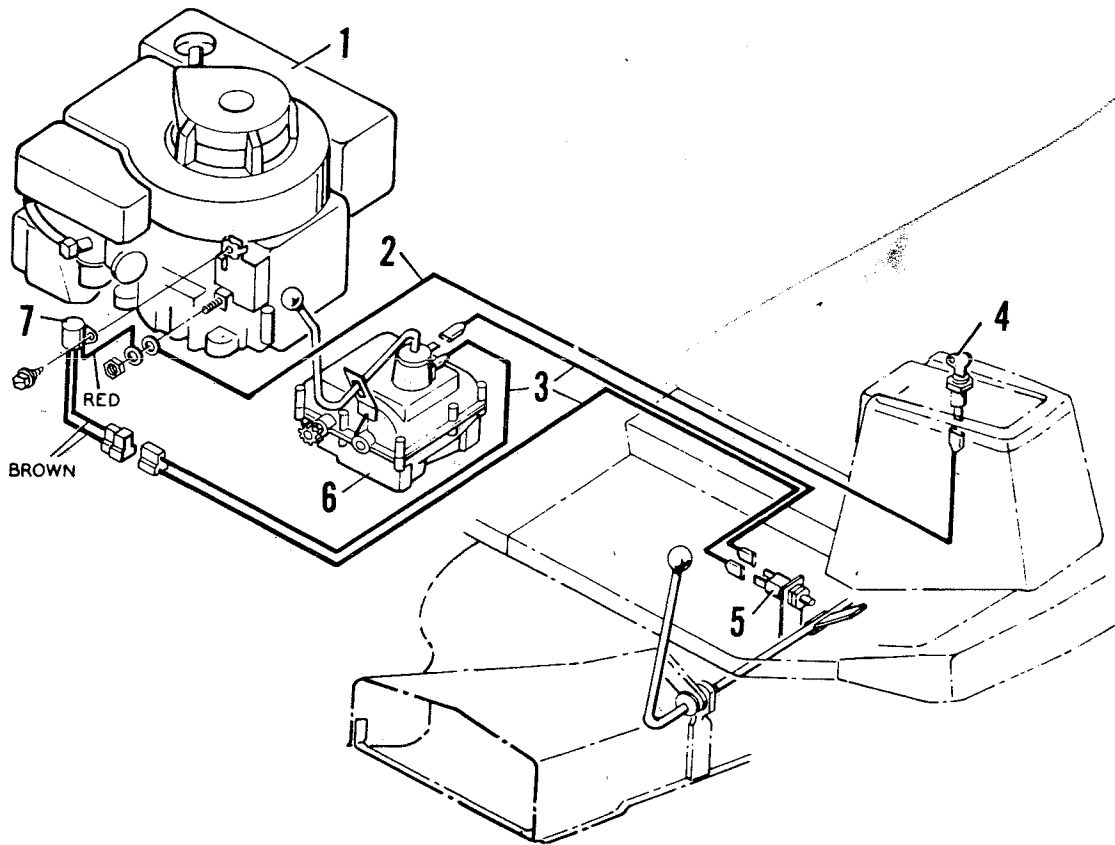
Key No.	Part No.	Description
1	26X197	Hex Tapping Screw 5/16" x 5/8"
2	20636	Index Bracket
3	30X20	Cotter Pin
4	17X46Z	Washer
5	20680	Lifter Spring
6	20718	Grip
7	20658Z	Lever & Pin Assembly
8	21886Z	Connector Rod
9	20661	Shoulder Bolt
10	15X12	Locknut 3/8"-16
11	2X53	Carriage Bolt
12	21876	Rear Bracket
13	21874	Rear Lifter Rod Ass'y.
14	15X79	Hex Nut
15	21888	Lifter Rod
16	21880	Pivot Arm & Rod Ass'y - Low Console Models
	21982	Pivot Arm & Rod Ass'y. - High Console Models
17	20692	Cotter Hair Pin
18	21890Z	Pin
19	17X67Z	Washer
20	21885	Front Suspension Bracket
21	20062	Woodruff Key
22	20616	Jackshaft
23	15X84	Locknut 3/8"-16
24	17X53Z	Washer
25	20613	Idler Pulley
26	20615	Jackshaft Pulley
27	20717	Blade Belt 1/2" x 56"
28	20671	Idler Brkt. & Brake Ass'y.
29	20681	Spring
30	20666	Front Scissor Bracket
31	20673Z	Rod - Blade Brake
32	21213Z	Lever & Link Ass'y.
33	20719	Grip
34	21216	Switch Retainer
35	21872	Blade Housing
36	21883	Slotted Bracket & Bolt Ass'y.
37	21891	Clevis Pin
38	21892	Lifter Pin
39	1X84	Hex Bolt 5/16" - 18 x 7/8"
40	15X43Z	Hex Nut 5/16" - 18
41	28X23	Push-On-Cap
42	21189	Torsion Spring
43	21197Z	Deflector Rod
44	21151	Chute Deflector
45	20551	Jackshaft Housing
46	20619	Guide Bolt
47	20617	Blade Adapter
48	21673Z	Washer
49	20083	Blade
50	20663Z	Blade Washer
51	18X27	Lockwasher
52	15X72	Blade Mounting Nut 1/4 - 20
	404025	Complete Blade Housing Assembly (Shown in box)

**Model 6-2503
Wiring Diagram**



Key No.	Part No.	Description
1	---	Engine
2	21370PA	Transmission
3	21364	Wiring Harness
4	20608PA	Limit Switch
5	21211PA	Stop Switch & Key
6	21212	Jumper Wire
7	21361	Control Module
8	26X185	Screw
	20756	Key Only

**Model 6-2513
Wiring Diagram**



Key No.	Part No.	Description
1	----	Engine
2	20610	Jumper Wire
3	21364	Wiring Harness
4	21211PA	Stop Switch & Key
5	20608PA	Limit Switch
6	21370PA	Transmission
7	21361	Control Module
	20756	Key Only