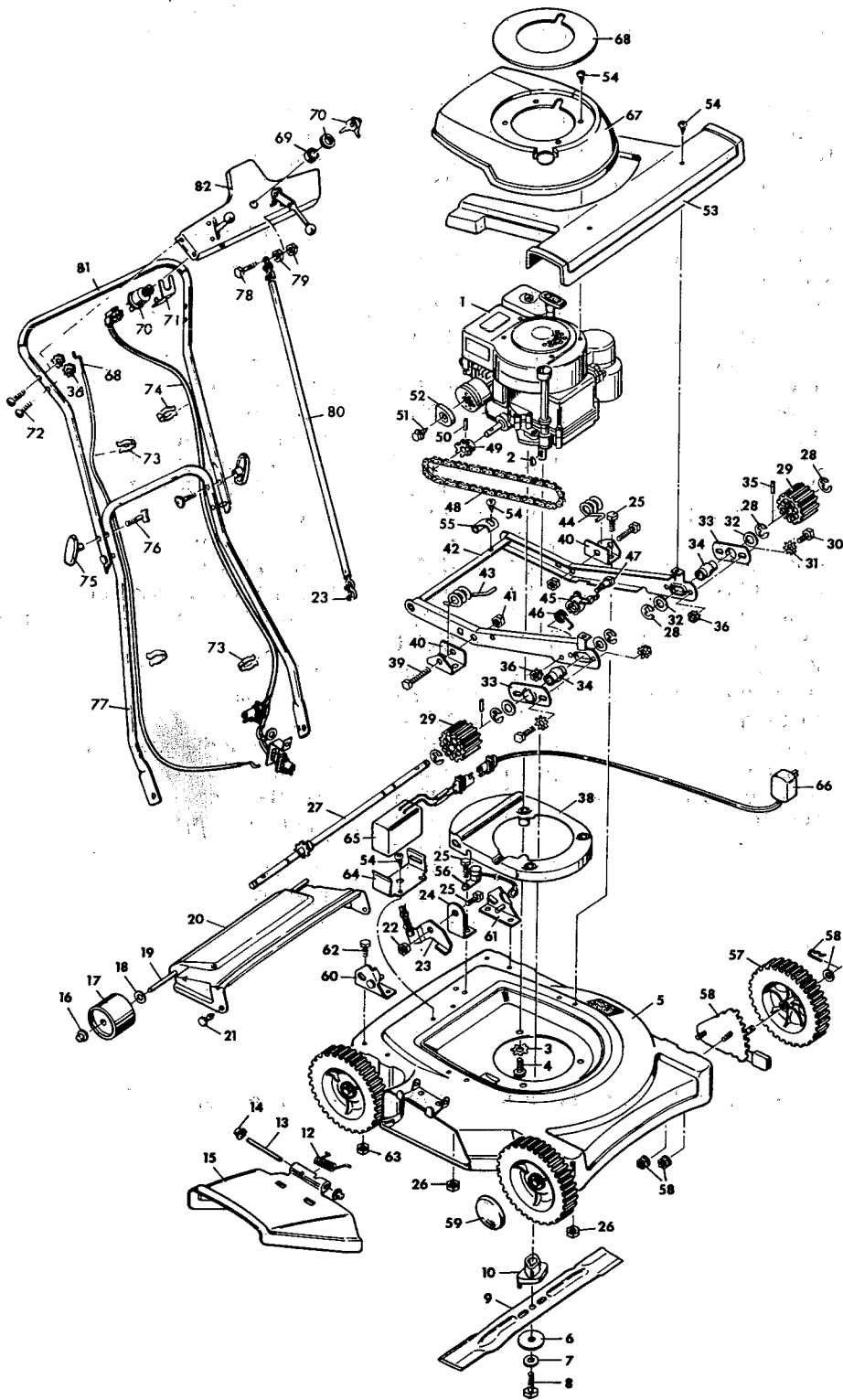


Model 6-2264 22" Super Deluxe Rotary Mower



Model 6-2264

| Key No. | 6-2264 | Description | Key No. | 6-2264 | Description |
|---------|-------------------|-------------------------------|---------|---------|--------------------------------|
| 1 | ---- | Engine | 42 | 22272E | Drive Arms & Tube Ass'y. |
| 2 | 20062 | Woodruff Key | 43 | 22322Z | Torsion Spring R.H. |
| 3 | 19X8 | Shakeproof Washer | 44 | 22323Z | Torsion Spring L.H. |
| 4 | 20102 | Engine Bolt | 45 | 22398 | Chain Gудie |
| 5 | 22313 | Housing | 46 | 22399 | Spring |
| 6 | 20094Z | Washer | 47 | 20478 | Shoulder Bolt |
| 7 | 18X31 | Cup Washer | 48 | 22279 | Chain & Link |
| 8 | 1X69 | Blade Bolt | 49 | 20411 | Sprocket |
| 9 | 20046 | Blade | 50 | 32X64 | Spring Pin |
| 10 | 20051 | Blade Adapter | 51 | 20460 | Screw |
| 12 | 22052 | Torsion Spring | 52 | 20459 | Exhaust Deflector |
| 13 | 22326Z | Pivot Pin | 53 | 22328 | Pinion Guard |
| 14 | 28X42 | Push-On-Cap | 54 | 26X159 | Screw |
| 15 | 22352 | Chute Deflector | 55 | 22497 | Safety Interlock Bracket |
| 16 | 28X23 | Push-On-Cap | 56 | 22496 | Safety Interlock Module |
| 17 | 22324 | Wheel | 57 | 20105SC | Wheel & Tire |
| 18 | 17X52Z | Washer | 58 | 400148 | Wheel Adjuster Ass'y.* |
| 19 | 22274Z | Axle | 59 | 20090 | Hub Cap |
| 20 | 22291 | Rear Guard | 60 | 20198Z | Handle Bracket R.H. |
| 21 | 22053 | Trimount | 61 | 20199Z | Handle Bracket L.H. |
| 22 | 15X67 | Hex Nut | 62 | 1X38 | Hex Bolt |
| 23 | 400187 | Pivot Arm & Chain | 63 | 15X82 | Hex Nut |
| 24 | 22277Z | Bracket | 64 | 22329Z | Battery Holder |
| 25 | 1X45 | Bolt | 65 | 20335 | Battery |
| 26 | 15X79 | Hex Nut | 66 | 20336 | Battery Charger |
| 27 | 22152Z | Drive Shaft & Sprocket Ass'y. | 67 | 22338 | Engine Shroud |
| 28 | 20100 | Retainer Ring | 68 | 22336 | Shroud Insert |
| 29 | 20066 | Drive Pinion | 69 | 20167C | Spacer |
| 30 | 1X38 | Bolt | 70 | 20244PA | Switch Ass'y. W/Key |
| 31 | 19X4 | Shakeproof Washer | 71 | 20245Z | Retainer Clamp |
| 32 | 17X100Z | Washer | 72 | 3X97 | Bolt |
| 33 | 20049Z | Bearing Retainer | 73 | 20089 | Cable Clips |
| 34 | 20048 | Bearing | 74 | 20242 | Electric Harness & Clips |
| 35 | 32X64 | Spring Pin | 75 | 20266 | Handle Knob |
| 36 | 15X66 | Keps Nut | 76 | 20129 | Contour Bolt |
| 38 | 20054E | Base & Spacer Ass'y. | 77 | 20191C | Lower Handle |
| 39 | 1X87 | Hex Bolt | 78 | 20412 | Hex Bolt |
| 40 | 22278Z | Bracket | 79 | 15X1Z | Hex Nut |
| 41 | 15X12 | Hex Nut | 80 | 20440 | Plastic Sleeve |
| | | | 81 | 20247C | Upper Handle Assembly |
| | | | 82 | 400174 | Control Panel & Cable Assembly |

*Note: See page 10 for parts list for 400148 wheel adjuster assembly.

↳ #23 USE 22539 see bulletin #25

**Wheel Adjuster Assembly
Model 400148**

| Key No. | Model 400148 Part No. | Description |
|---------|-----------------------|----------------------|
| 1 | 17X102 | Washer |
| * 2 | ---- | Wheel & Tire |
| 3 | 20101 | Hair Pin Cotter |
| 4 | 22193 | Shoulder Bolt |
| 5 | 22208Z | Arm & Axle Assembly |
| 6 | 22196 | Lever Spring Knob |
| 7 | 20113Z | Index Plate Assembly |
| 8 | 15X68 | Flange Locknut |
| 9 | 22192 | Spring Washer |

* Not Included In Assembly.

