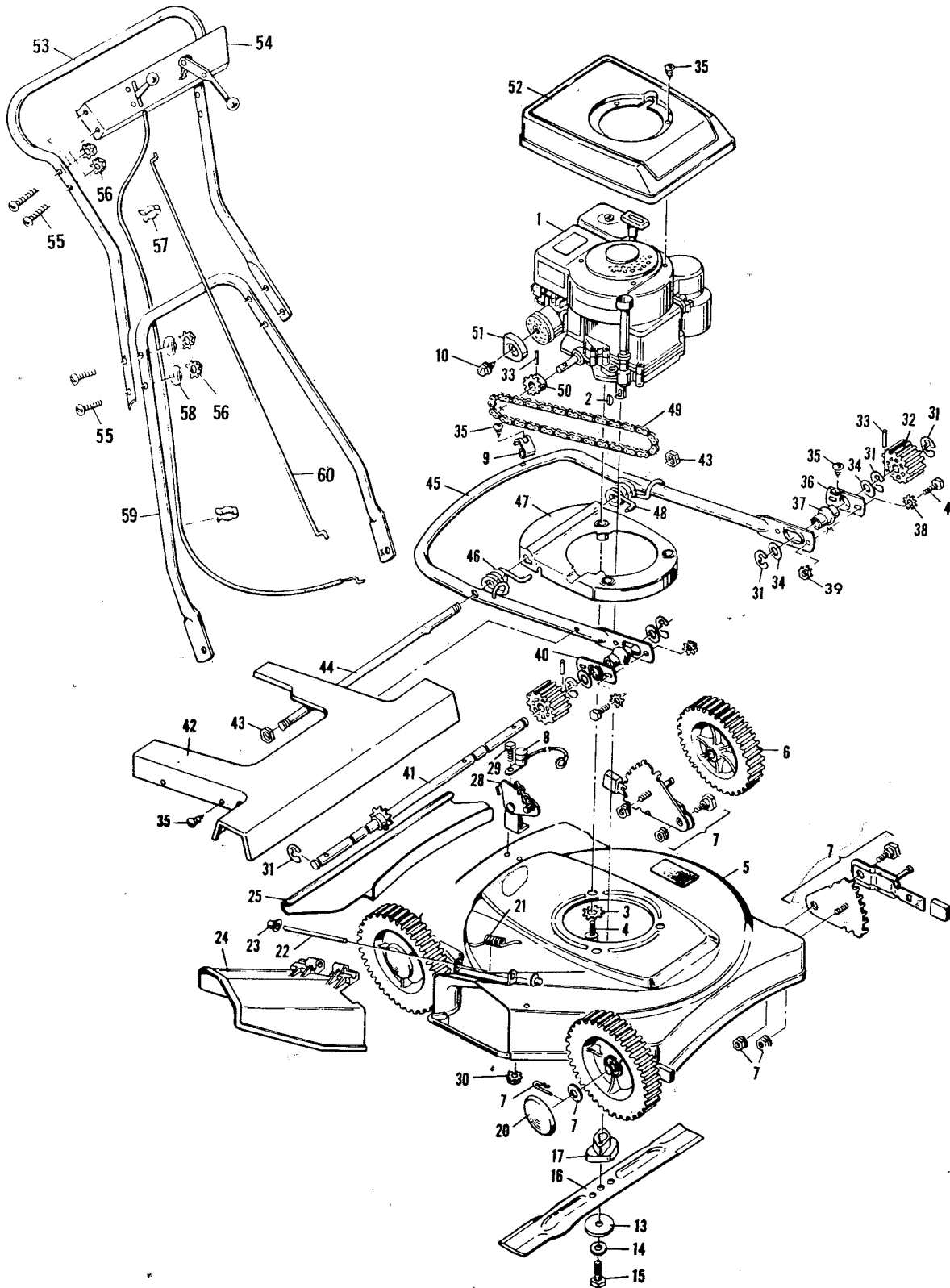


### Model 6-2252 22" Equipped Rotary Mower



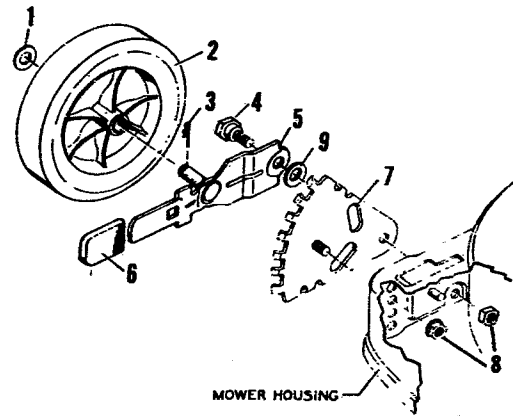
**Model 6-2252**

Key No.	6-2252	Description
1	---	Engine
2	20062	Woodruff Key
3	19X8	Shakeproof Washer
4	20102	Engine Bolt
5	22072	Housing Assembly
5	20105	Wheel & Tire
7	400148	Wheel Adjuster Assembly*
8	22497	Safety Interlock Module
9	22498	Safety Interlock Bracket
10	20460	Screw
13	20094Z	Washer
14	18X31	Cup Washer
15	1X69	Blade Adapter Bolt
16	20046	Blade
17	20051	Blade Adapter
20	20107	Hub Cap
21	22052	Torsion Spring
22	20050Z	Pivot Pin
23	28X42	Push-On-Cap
24	20454	Chute Deflector
25	20452	Rear Guard
28	22528	Bracket & Pivot Arm Ass'y.
29	1X38	Bolt
30	15X82	Hex Nut
31	20100	Retainer Ring
32	20066	Drive Pinion
33	32X64	Spring Pin
34	17X100Z	Washer
35	26X159	Screw
36	20375Z	Bearing Retainer
37	20048	Bearing
38	19X4	Washer
39	15X66	Keps Nut
40	20049Z	Bearing Retainer
41	22150Z	Drive Shaft & Sprocket Ass'y.
42	22479	Pinion & Chain Guard Ass'y.
43	15X64	Hex Nut
44	20085Z	Pivot Shaft
45	20012C	Drive Arm
46	20067Z	Torsion Spring R. H.
47	20054E	Base & Spacer Ass'y.
48	20068Z	Torsion Spring L.H.
49	20108	Chain & Link
50	20411	Engine Sprocket
51	20459	Exhaust Deflector
52	22478E	Engine Shroud
53	20190C	Upper Handle Assembly
54	400168	Control Panel & Cable Assembly
55	3X136	Bolt 1/4-20X1-3/8
56	15X66	Keps Nut 1/4-20
57	22550	Cable Clips
58	20087	Formed Washer
59	20058C	Lower Handle Assembly
60	22531Z	Actuating Rod
	22463	Parts Bag

\*Note: See page 10 for parts list for 400148 wheel adjuster assembly.

### Wheel Adjuster Assembly Model 400148

Key No.	Model 400148 Part No.	Description
1	17X102	Washer
* 2	-----	Wheel & Tire
3	20101	Hair Pin Cotter
4	22193	Shoulder Bolt
5	22208Z	Arm & Axle Assembly
6	22196	Lever Spring Knob
7	20113Z	Index Plate Assembly
8	15X68	Flange Locknut
9	22192	Spring Washer



\* Not Included In Assembly.