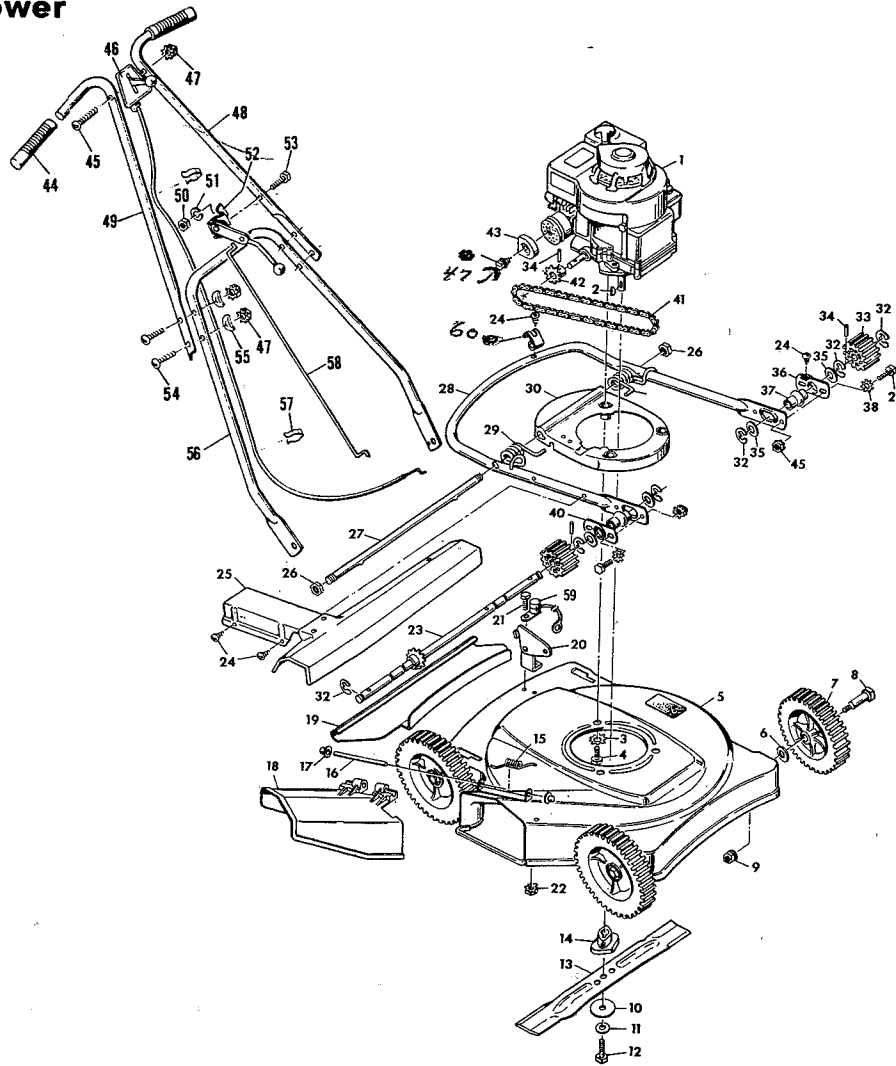


**5-2251 22" Equipped
Rotary Mower**



| Key No. | Model 5-2251 Part No. | Description | Key No. | Model 5-2251 Part No. | Description | Key No. | Model 5-2251 Part No. | Description |
|---------|-----------------------|-------------------------|---------|-----------------------|----------------------------|---------|-----------------------|--------------------------|
| 1 | ----- | Engine | 21 | 1X38 | Hex Nut | 41 | 20108 | Chain & Link |
| 2 | 20062 | Woodruff Key | 22 | 15X82 | Hex Nut | 42 | 20411 | Engine Sprocket |
| 3 | 19X8 | Shakeproof Washer | 23 | 22151Z | Drive Shaft & Spkt. Assy. | 43 | 20459 | Exhaust Deflector |
| 4 | 20102 | Engine Bolt | 24 | 26X159 | Self-Tapping Screw | 44 | 20187 | Grip |
| 5 | 22072 | Housing Assy. | 25 | 400153 | Pinion & Chain Guard Assy. | 45 | 3X142 | Bolt |
| 6 | 10851Z | Washer | 26 | 15X64 | Hex Nut | 46 | 22057 | Control & Cable Assy. |
| 7 | 20105 | Wheel & Tire Assy. | 27 | 20085Z | Pivot Shaft | 47 | 15X12 | Keys Nut |
| 8 | 20086 | Axle Bolt | 28 | 20012C | Drive Arm | 48 | 20393C | Upper Handle L-H |
| 9 | 15X68 | Flanged Locknut | 29 | 20067Z | Torsion Spring R-H | 49 | 20060C | Upper Handle R-H |
| 10 | 20094Z | Washer | 30 | 20054E | Base & Spacer Assy. | 50 | 15X2 | Hex Nut |
| 11 | 17X101 | Cup Washer | 31 | 20068Z | Torsion Spring L-H | 51 | 18X16 | Lock Washer |
| 12 | 1X69 | Blade Adapter Bolt | 32 | 20100 | Retainer Ring | 52 | 20444 | Drive Control Assy. |
| 13 | 20046 | Blade | 33 | 20066 | Drive Pinion | 53 | 6X61 | Hex Bolt |
| 14 | 20051 | Blade Adapter | 34 | 32X64 | Spring Pin | 54 | 3X136 | Bolt |
| 15 | 22052 | Torsion Spring | 35 | 17X100Z | Washer | 55 | 20087 | Formed Washer |
| 16 | 22050Z | Pivot Pin | 36 | 20375Z | Bearing Retainer | 56 | 20392C | Lower Handle Assy. |
| 17 | 28X42 | Push-On-Cap | 37 | 20048 | Bearing | 57 | 20089 | Cable Clip |
| 18 | 20455 | Chute Deflector | 38 | 19X4 | Shakeproof Washer | 58 | 20388Z | Actuating Rod |
| 19 | 20452 | Rear Guard Panel | 39 | 20460 | Exhaust Deflector Screw | 59 | 22499 | Safety Interlock Module |
| 20 | 20442Z | Brkt. & Pivot Arm Assy. | 40 | 20049Z | Bearing Retainer | 60 | 22498 | Safety Interlock Bracket |
| | | | | | | | 22068 | Parts Bag |