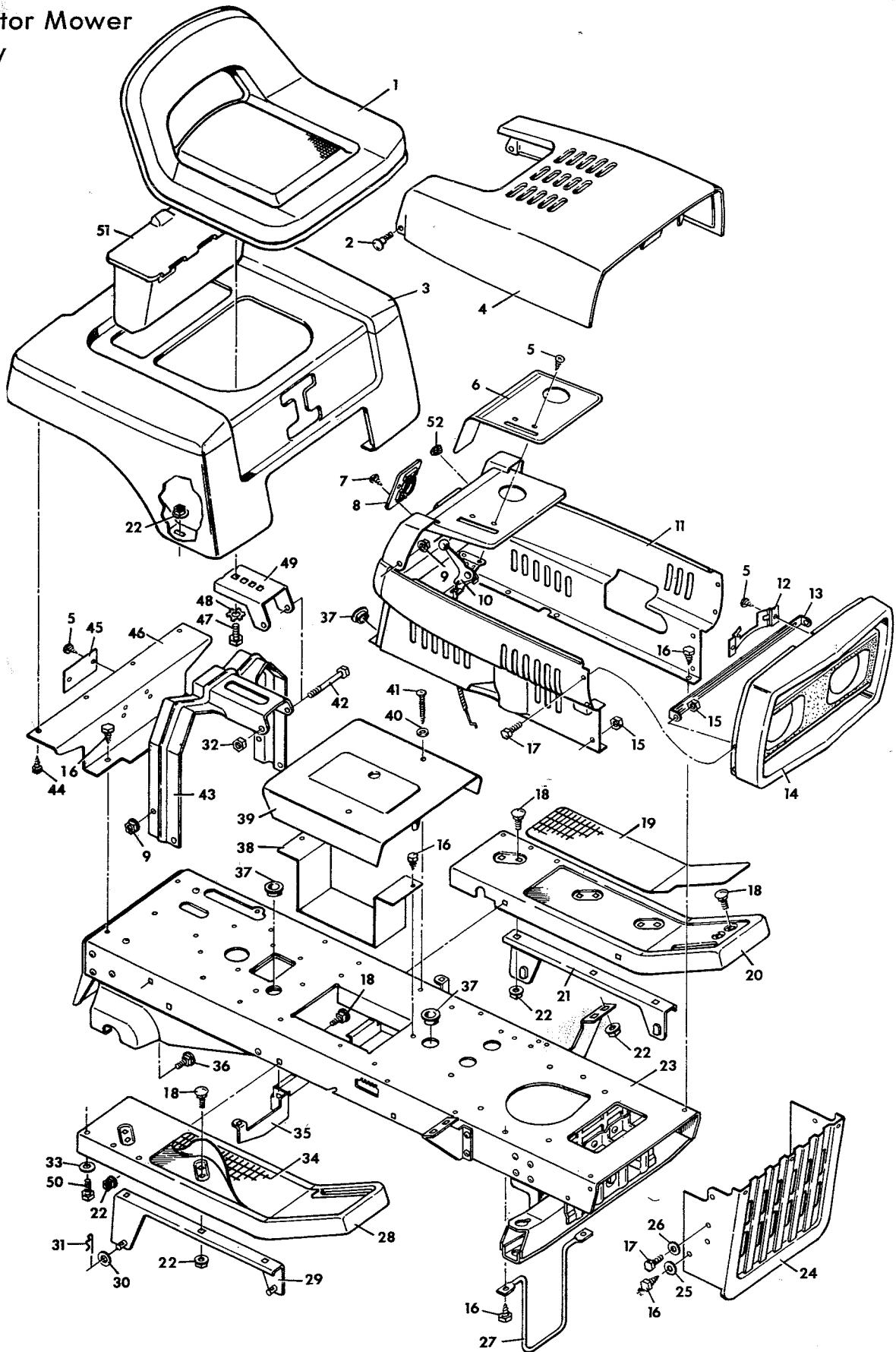


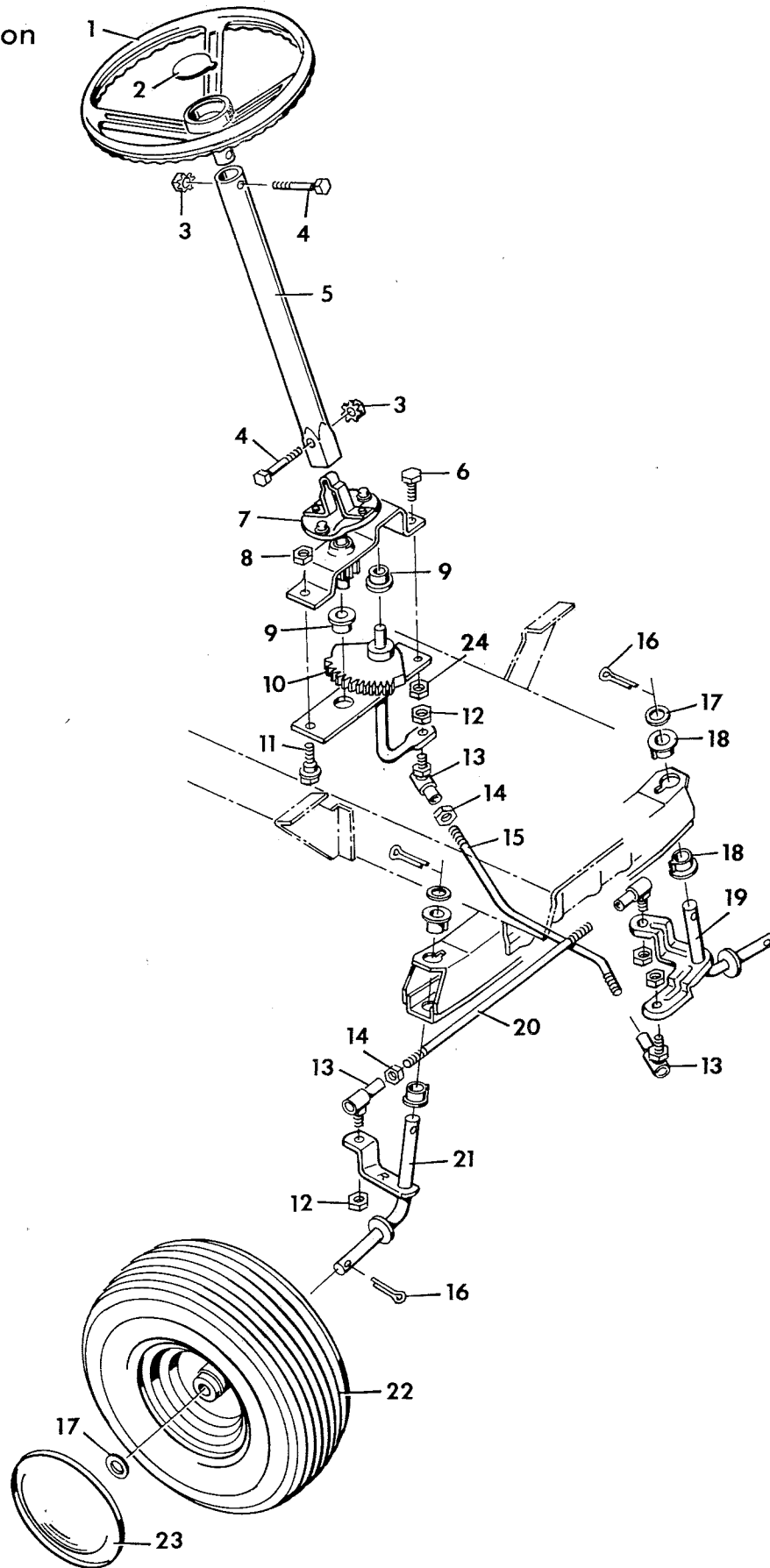
Model 4-3696  
And Model 4-3697  
Tractor Mower  
Body



Model 4-3696  
And 4-3697

Item No.	Model 4-3696 4-3697 Part No.	Description
1	21594	Seat
2	20661	Shoulder Bolt 3/8"-16x7/8"
3	21418	Rear Shroud Assy.
4	21435	Hood
5	26x159	Screw #8x3/8" Type A
6	21576	Control Plate
7	26x186	Screw #10x1/2 Type AB
8	21531	Steering Post Bearing
9	15x68	Flange Nut 3/8"-16
10	21540PA	Remote Control Unit
11	21458	Engine Shroud Assy.
12	21485Z	Sealed Beam Retainer
13	21650Z	Grill & Shroud Brace
14	21406	Grill
15	15x82	Flange Nut 1/4"-20
16	26x197	Screw 5/16"x3/4" Type A
17	1x38	Bolt 1/4"-20x5/8"
18	2x53	Carriage Bolt 5/16"-18x5/8"
19	21569	Mat L. H.
20	21437	Running Board L. H.
21	21561	Hanger Bracket Assy. L. H.
22	15x79Z	Flange Nut 5/16"-18
23	403030	Frame Assy.
24	21446	Lower Grill
25	17x47Z	Washer
26	17x37Z	Washer
27	21481 Z	Belt Guide
28	21436	Running Board R. H.
29	21562	Hanger Bracket Assy. R. H.
30	17x67Z	Washer
31	20692	Cotter Hair Pin
32	15x43Z	Locknut 5/16"-18
33	17x47Z	Washer
34	21568	Mat R. H.
35	21547	Support & Clip Assy.
36	2x56	Carriage Bolt 3/8"-16x3/4"
37	21268	Grommet
38	21430	Battery Support
39	21403	Battery Cover
40	17x112	Finishing Washer
41	26x193	Screw #10x3-1/8" Type AB
42	1x78	Bolt 5/16"-18x4 1/4"
43	21438	Seat Bracket
44	26x185	Screw #10x3/8" Type AB
45	22130	Nameplate
46	21411	Shroud Support
47	1x88	Bolt 1/2"-13x7/8"
48	19x36	Shakeproof Washer
49	21439Z	Seat Hinge
50	1x45	Bolt 5/16"-18x5/8"
51	21404	Tool Box
52	21588	Plug Button

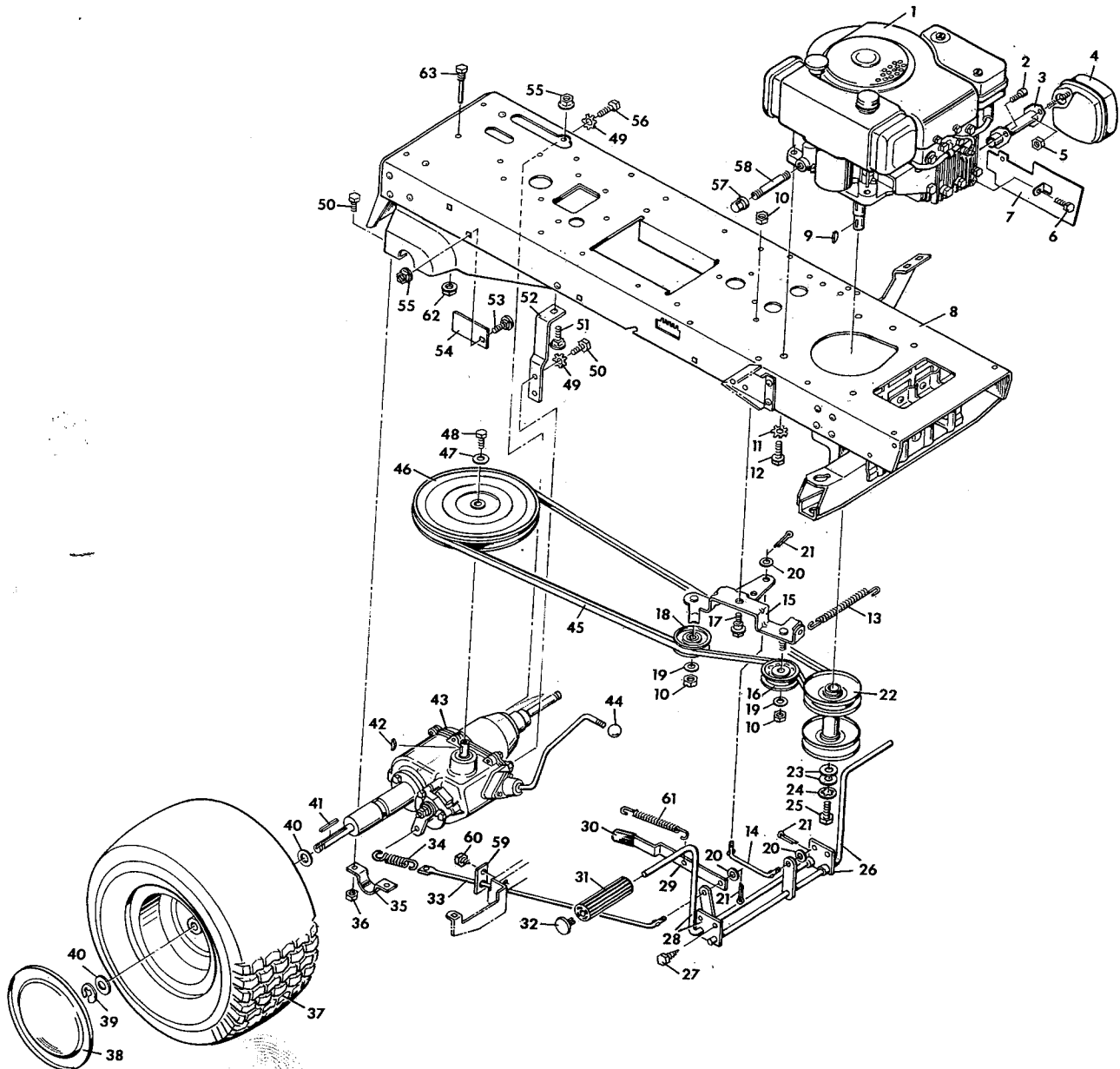
Model 4-3696 And  
Model 4-3697  
Steering Section



Model 4-3696  
And 4-3697

Item No.	Model 4-3696 4-3697 Part No.	Description
1	21606	Steering Wheel
2	21303	Steering Wheel Cap
3	15x76	Keeps Nut 5/16"-18
4	1x75	Bolt 5/16"-18x1 3/4"
5	21486C	Steering Post
6	1x73	Screw 5/16"-18x7/8"
7	21493	Steering Gear & Coupling Assy.
8	15x12	Locknut 3/8"-16
9	20587	Bearing
10	21538	Steering Arm Gear & Brkt. Assy.
11	21426	Shoulder Bolt
12	15x77	Locknut 3/8"-24
13	21031	Ball Joint
14	15x61	Hex Nut 3/8"-24
15	21482	Drag Link Rod
16	30x49	Cotter Pin 1 1/4"
17	17x83	Washer
18	21401	Spindle Bearings
19	21476	Spindle Assy. L. H.
20	21632	Tie Rod Assy.
21	21479	Spindle Assy. R. H.
22	21527	Front Wheel & Tire
	403000	Wheel Only
	403001	Tire Only
	400162	Valve Stem & Cap
	403010	Front Wheel Bearing
23	20797	Hub Cap
24	15x43Z	Locknut 5/16"-18

Model 4-3696  
Drive Section



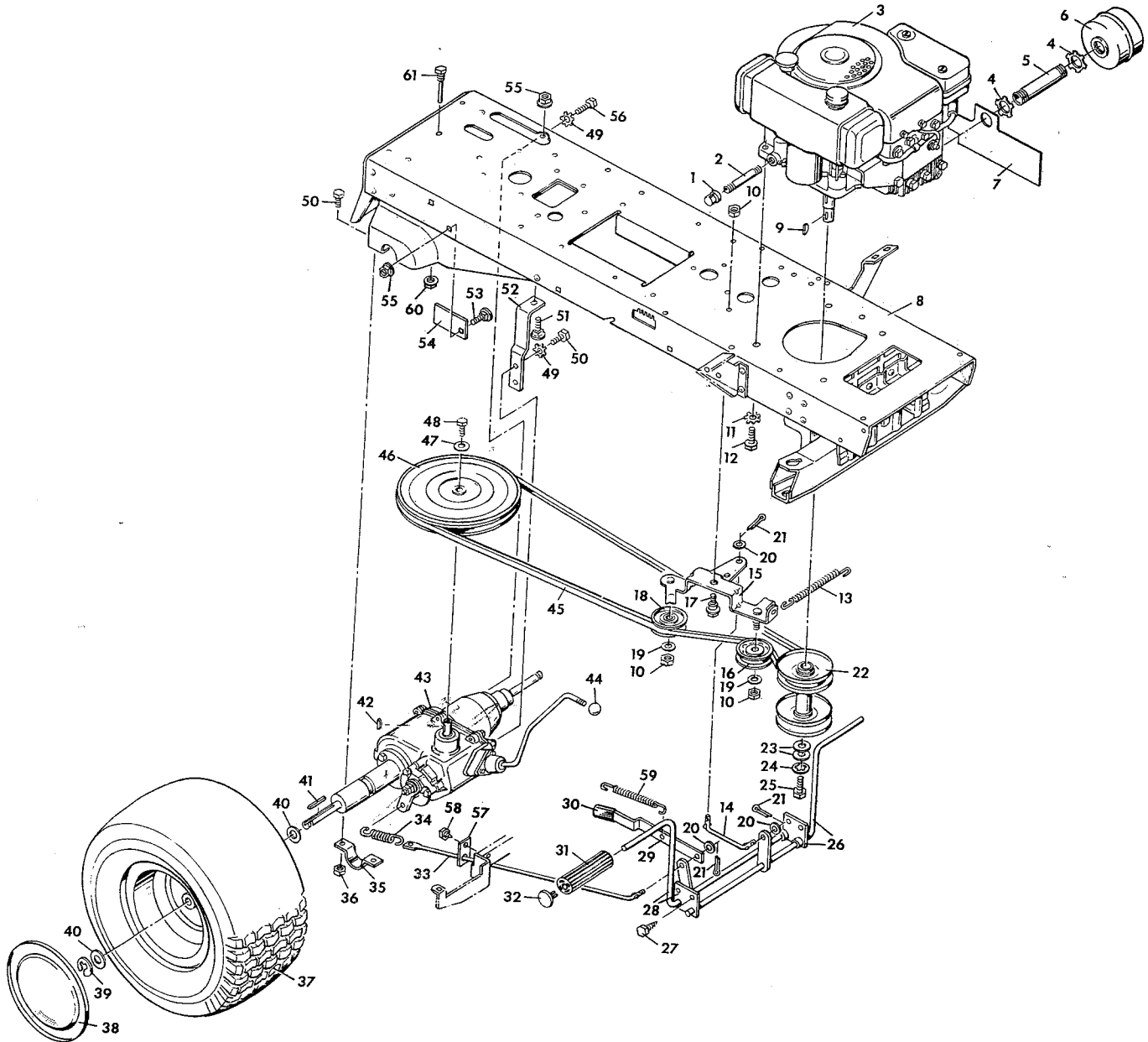
Model 4-3696

Item No.	Model 4-3696 Part No.	Description
1	-----	Engine
2	6x66	Hex Socket Screw 1/4"-20x5/8"
3	21630	Muffler Extension Assy.
4	-----	Muffler
5	15x66	Hex Nut 1/4"-20
6	1x38	Hex Bolt 1/4"-20x5/8"
7	21663Z	Heat Shield
8	403030	Frame Assy.
9	20062	Woodruff Key #6
10	15x12	Hex Nut 3/8"-16
11	19x8	Shakeproof Washer
12	20103	Engine Bolt 3/8"-16x1"
13	20684	Spring
14	21681	Clutch Link Rod
15	21428	Idler Bracket & Stud Assy.
16	21409	Idler Pulley
17	21426	Shoulder Bolt 3/8"-16x7/8"
18	20613	Idler Pulley
19	17x53Z	Washer
20	17x47Z	Washer
21	30x20	Cotter Pin 3/4"
22	21415Z	Stack Pulley
23	10851Z	Washer
24	19x39	Shakeproof Washer
25	1x20	Bolt 3/8"-24x1"
26	21466	Clutch Lever Assy.
27	26x197	Screw 5/16"x3/4" Type A
28	21464	Brake Lever Assy.
29	21484Z	Parking Brake Arm
30	21434	Grip
31	21544	Pedal
32	21535	Cap

Item No.	Model 4-3696 Part No.	Description
33	21472Z	Brake Rod
34	21675	Spring
35	21473	Transaxle Clamp
36	15x43Z	Hex Nut 5/16"-18
37	21526	Wheel & Tire Only
	403004	Wheel Only
	403005	Tire Only
	400162	Valve Stem & Cap
38	21522	Hub Cap
39	21432	E-Ring
40	21521	Washer
41	21553	Square Key
42	21539	Woodruff Key
43	-----	Transaxle*
44	20844	Knob
45	21615	Drive Belt
46	21447	Input Pulley
47	18x30	Lockwasher
48	1x38	Bolt 1/4"-20x5/8"
49	18x15	Shakeproof Washer
50	1x73	Bolt 5/16"-18x7/8"
51	2x57	Carriage Bolt 3/8"-16x7/8"
52	21440	Transaxle Support Bracket
53	2x56	Carriage Bolt 3/8"x16x3/4"
54	21683	Belt Guide
55	15x68	Flange Nut 3/8"-16
56	1x84	Bolt 5/16"-18x1"
57	21651	Cap
58	21652	Oil Drain Extension
59	21678	Brake Rod Support
60	26x186	Screw #10x1/2" Type AB
61	20682	Spring
62	15x79	Flange Nut
63	20619	Belt Guide

\* Note: Transaxle Parts Available Through Tecumseh Dealers Only.

Model 4-3697  
Drive Section



Model 4-3697

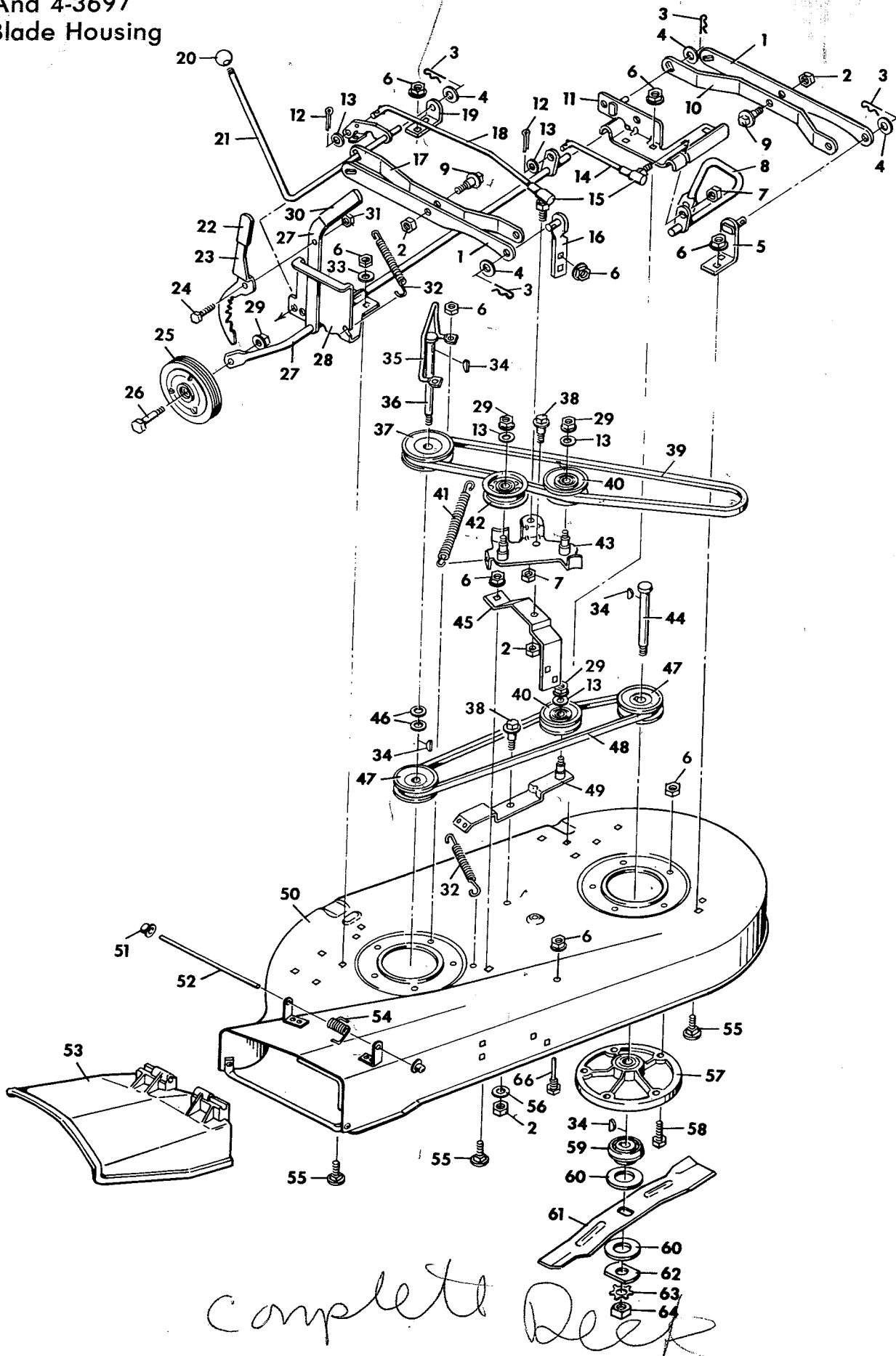
Item No.	Model 4-3697 Part No.	Description
1	21651	Cap
2	21652	Oil Drain Extension
3	-----	Engine
4	21616	Lock Nut
5	21633	Muffler Extension
6	-----	Muffler
7	21664Z	Heat Shield
8	403030	Frame Assy.
9	20062	Woodruff Key #6
10	15x12	Hex Nut 3/8"-16
11	19x8	Shakeproof Washer
12	20103	Engine Bolt 3/8"-16x1"
13	20684	Spring
14	21681	Clutch Link Rod
15	21428	Idler Bracket & Stud Assy.
16	21409	Idler Pulley
17	21426	Shoulder Bolt 3/8"-16 7/8"
18	20613	Idler Pulley
19	17x53Z	Washer
20	17x47Z	Washer
21	30x20	Cotter Pin 3/4"
22	21415Z	Stack Pulley
23	10851Z	Washer
24	19x39	Shakeproof Washer
25	1x20	Bolt 3/8"-24x1"
26	21466	Clutch Lever Assy.
27	26x197	Screw 5/16"x3/4" Type A
28	21464	Brake Lever Assy.
29	21484Z	Parking Brake Arm
30	21434	Grip
31	21544	Pedal

Item No.	Model 4-3697 Part No.	Description
32	21535	Cap
33	21472Z	Brake Rod
34	21675	Spring
35	21473	Transaxle Clamp
36	15x43Z	Hex Nut 5/16"-18
37	21526	Wheel & Tire
	403004	Wheel Only
	403005	Tire Only
	400162	Valve Stem & Cap
38	21522	Hub Cap
39	21432	E-Ring
40	21521	Washer
41	21553	Square Key
42	21539	Woodruff Key
43	-----	Transaxle*
44	20844	Knob
45	21615	Drive Belt
46	21447	Input Pulley
47	18x30	Lockwasher
48	1x38	Bolt 1/4"-20X58"
49	18x15	Shakeproof Washer
50	1x73	Bolt 5/16"-18x7/8"
51	2x57	Carriage Bolt 3/8"-16x7/8"
52	21440	Transaxle Support Bracket
53	2x56	Carriage Bolt 3/8"x16x3/4"
54	21683	Belt Guide
55	15x68	Flange Nut 3/8"-16
56	1x84	Bolt 5/16"-18x1"
57	21678	Brake Rod Support
58	26x186	Screw #10x1/2" Type AB
59	20682	Spring
60	15x79	Flange Nut
61	20619	Belt Guide

\* Note: Transaxle Parts Available Through Tecumseh Dealers Only.



Model 4-3696  
And 4-3697  
Blade Housing

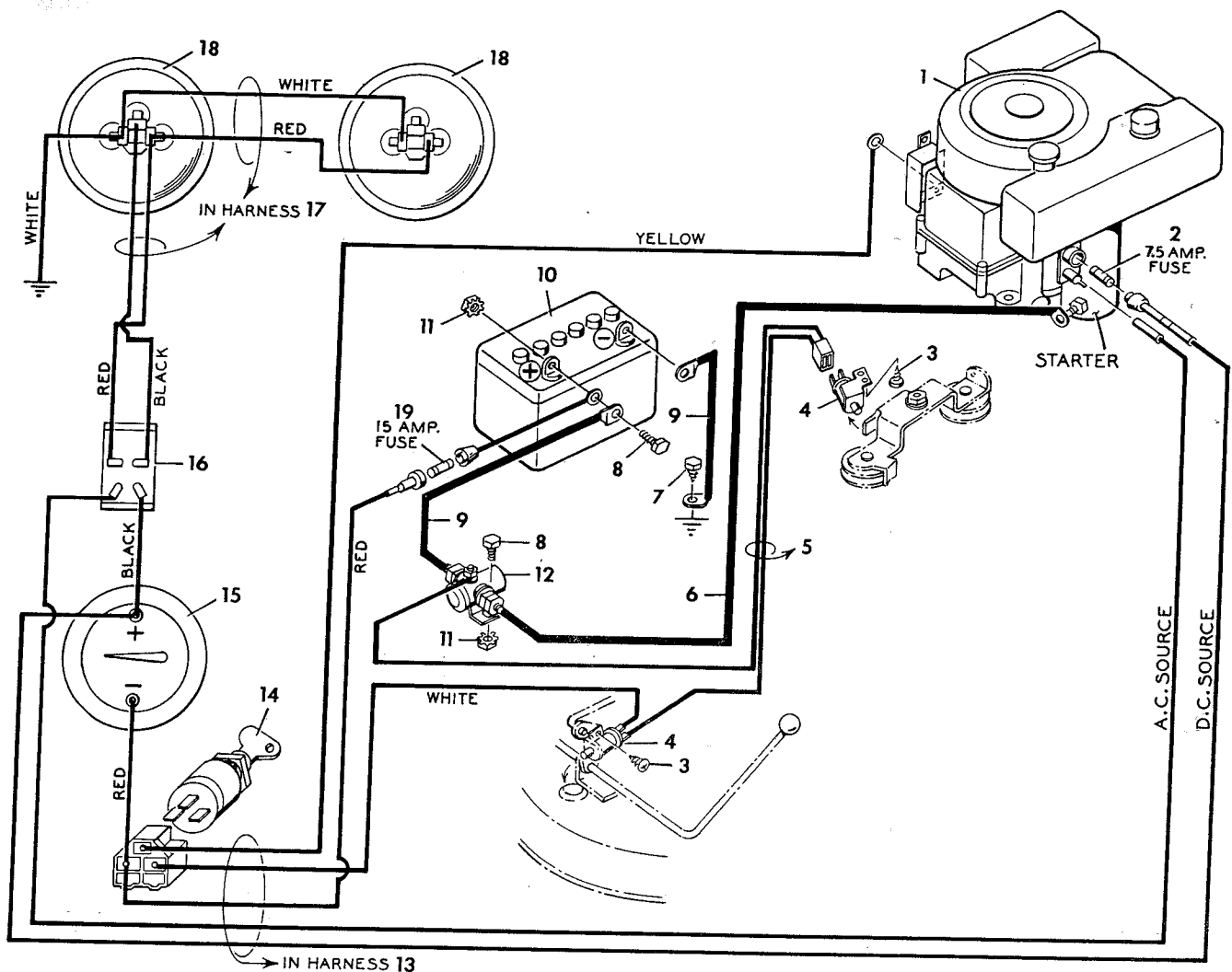


Model 4-3696  
And 4-3697

Item No	Model 4-3696 Part No.	Description
1	20644	Outer Scissor Arm
2	15x12	Hex Nut
3	20692	Hair Pin Cotter
4	17x67Z	Washer
5	21529	Scissor Bracket Assy.
6	15x79Z	Flange Nut 5/16"-18
7	15x77	Locknut 3/8"-24
8	21507	Lifter Assy. L. H.
9	20661	Shoulder Bolt 3/8"-16x7/8"
10	20643	Inner Scissor Arm L. H.
11	21511	Scissor & Pivot Rod Brkt. Assy.
12	30x20	Cotter Pin 3/4"
13	17x53Z	Washer
14	21510	Adjustment Link Rod
15	21031	Ball Joint
16	21018	Scissor Brkt. Assy.
17	20642	Inner Scissor Arm R. H.
18	21517	Link Rod
19	20934	Scissor Hanger Brkt.
20	20739	Knob
21	21515C	Blade Drive Lever Assy.
22	20476	Grip
23	21591Z	Latch
24	6x46	Shoulder Bolt 1/4"-20x37/64"
25	21027	Gauge Wheel
26	20086	Axle Bolt 3/8"-16x2"
27	21508	Lifter Assy. R. H.
28	21500	Lifter Brkt.
29	15x68	Flange Nut 3/8"-16
30	21249	Grip
31	15x67	Hex Nut 1/4"-20
32	20682	Spring

Item No.	Model 4-3696 Part No.	Description
33	17x47Z	Washer 5/16"-18
34	20062	Woodruff Key #6
35	21504Z	Belt Guide
36	21024	Jackshaft - Long
37	21096	Jackshaft Pulley
38	21426	Shoulder Bolt 3/8"-16x7/8"
39	21649	Blade Drive Belt
40	20613	Idler Pulley
41	20684	Idler Spring
42	21409	Idler Pulley
43	21503Z	Blade Drive Idler Assy.
44	20616	Jackshaft Short
45	21496	Idler Support Brkt.
46	17x87Z	Washer
47	21022	Jackshaft Pulley
48	20557	Cross Drive Belt
49	21139Z	Idler Brkt. Assy.
50	21551	Blade Housing
51	28x23	Push-On-Cap
52	21198Z	Pivot Rod
53	21154	Chute Deflector
54	21189	Torsion Spring
55	2x53	Carriage Bolt 5/16"-18x5/8"
56	10851 Z	Washer
57	20551	Jackshaft Housing Assy.
58	1x84	Bolt 5/16"-18x1"
59	20617	Blade Adapter
60	21673Z	Blade Washer
61	20930	Blade
62	20663Z	Blade Washer
63	18x27	Washer
64	15x72	Hex Nut 1/2"-20

Electric System  
Model 4-3696

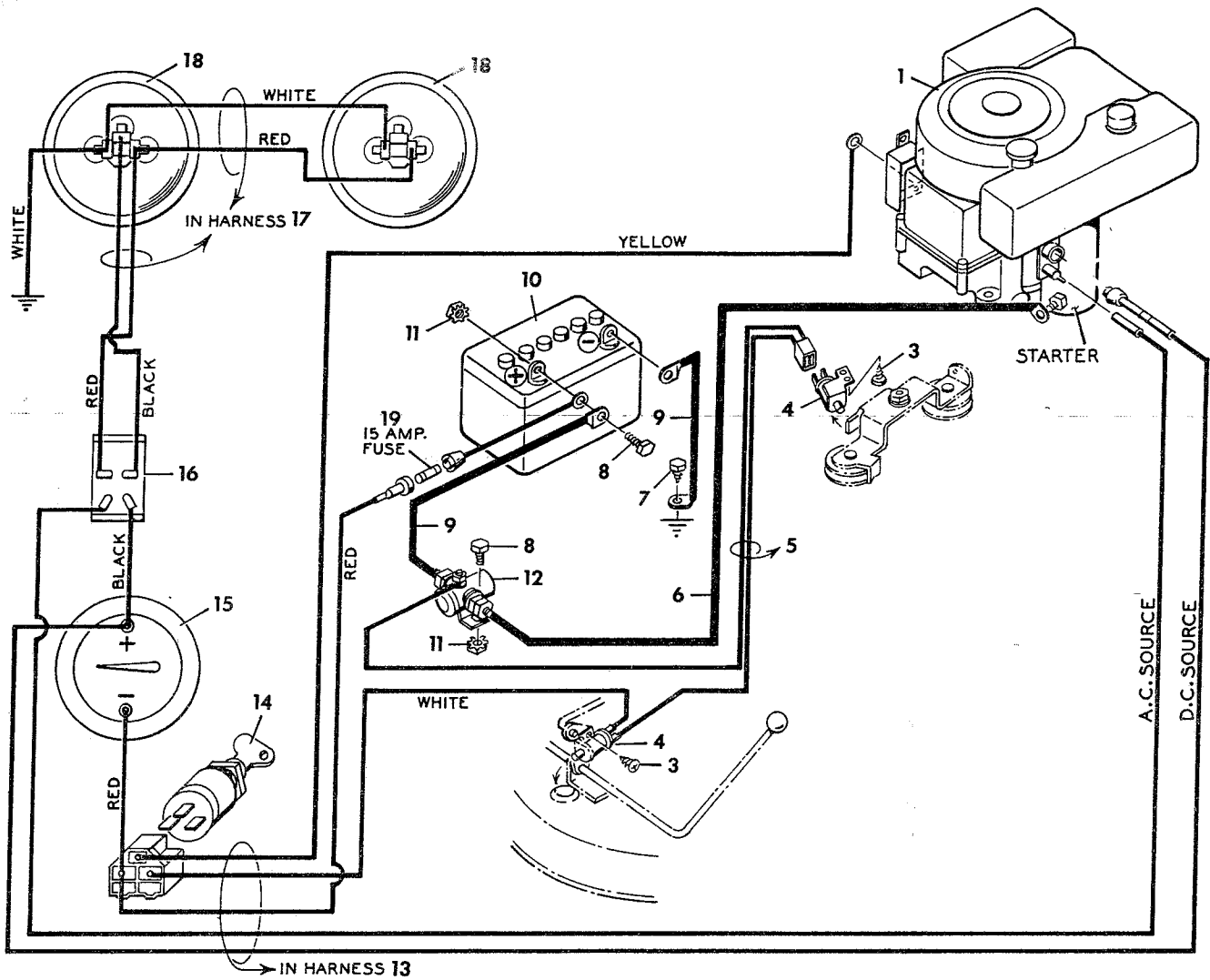


D-3004

Item No.	Model 4-3696 Part No.	Description
1	-----	Engine
2	21080	Fuse 7.5 amp. *
3	26x159	Screw # 8x3/8" Type A
4	21549	Safety Switch
5	21612	Jumper Wire
6	21577	Battery Cable
7	26x197	Screw 5/16"x3/4" Type A
8	1x38	Hex Bolt 1/4"-20x5/8"
9	21613	Battery Cable
10	21075	Battery
11	15x66	Keps Nut 1/4"-20
12	21261	Solenoid
13	21609	Wiring Harness
14	21571 PA	Switch & Key
15	21057PA	Ammeter Assy.
16	20776PA	Light Switch
17	21608	Wiring Harness
18	20837	Seal Beam Light
19	21023	Fuse 15 amp.
	20756	Key Only

\*Some Engines Are Equipped With a Diode and the 7.5 amp Fuse is Not Required With These Type Engines.

Electric System  
Model 4-3697



Item No.	Model 4-3696 4-3697 Part No.	Description
1	----	Engine
3	26x159	Screw # 8x3/8" Type A
4	21549	Safety Switch
5	21612	Jumper Wire
6	21577	Battery Cable
7	26x197	Screw 5/16"x3/4" Type A
8	1x38	Hex Bolt 1/4"-20x5/8"
9	21613	Battery Cable
10	21075	Battery
11	15x66	Keps Nut 1/4"-20
12	21261	Solenoid
13	21609	Wiring Harness
14	21571 PA	Switch & Key
15	21057PA	Ammeter Assy.
16	20776PA	Light Switch
17	21608	Wiring Harness
18	20837	Seal Beam Light
19	21023	Fuse 15 amp.
	20756	Key Only