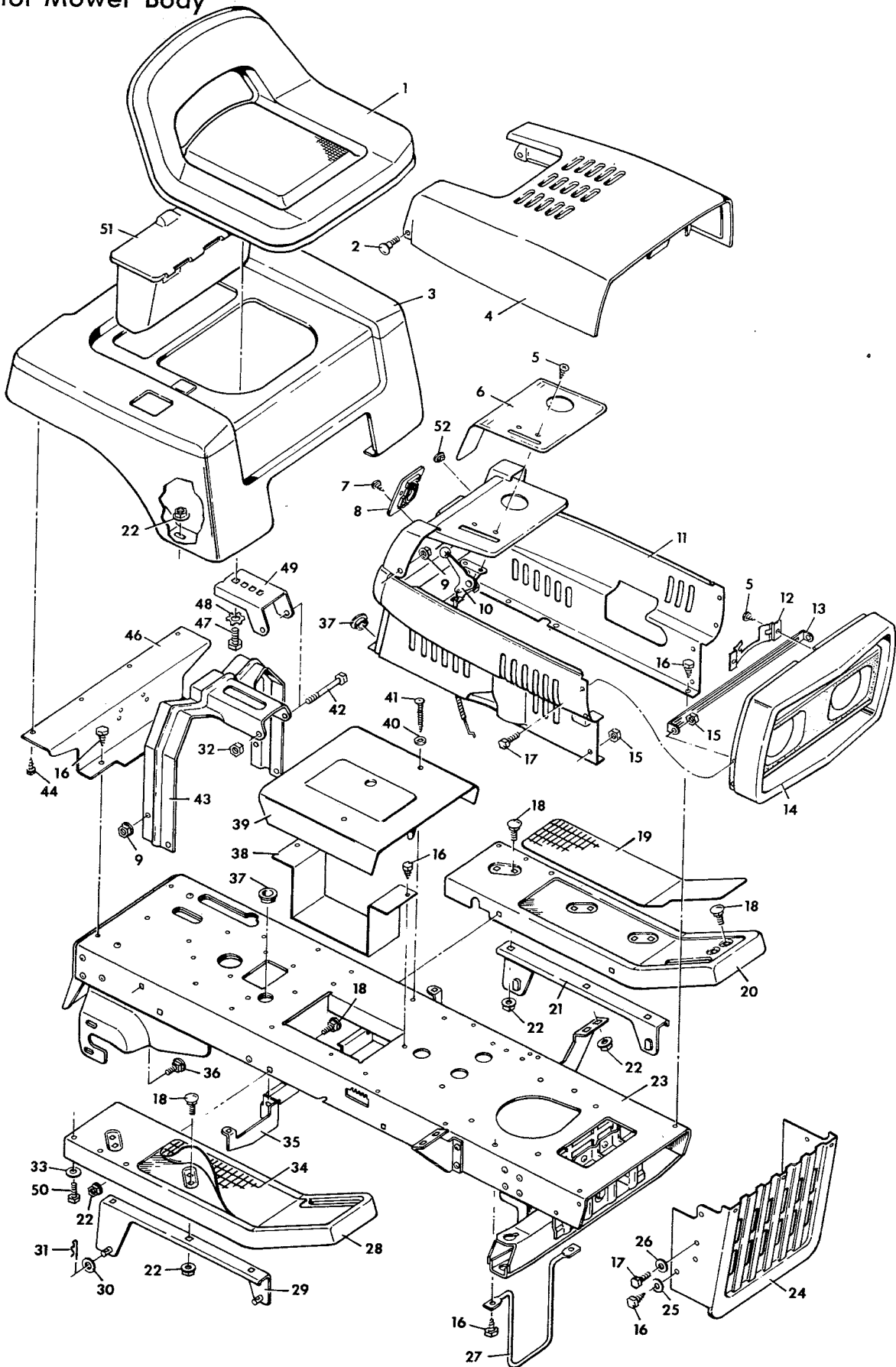


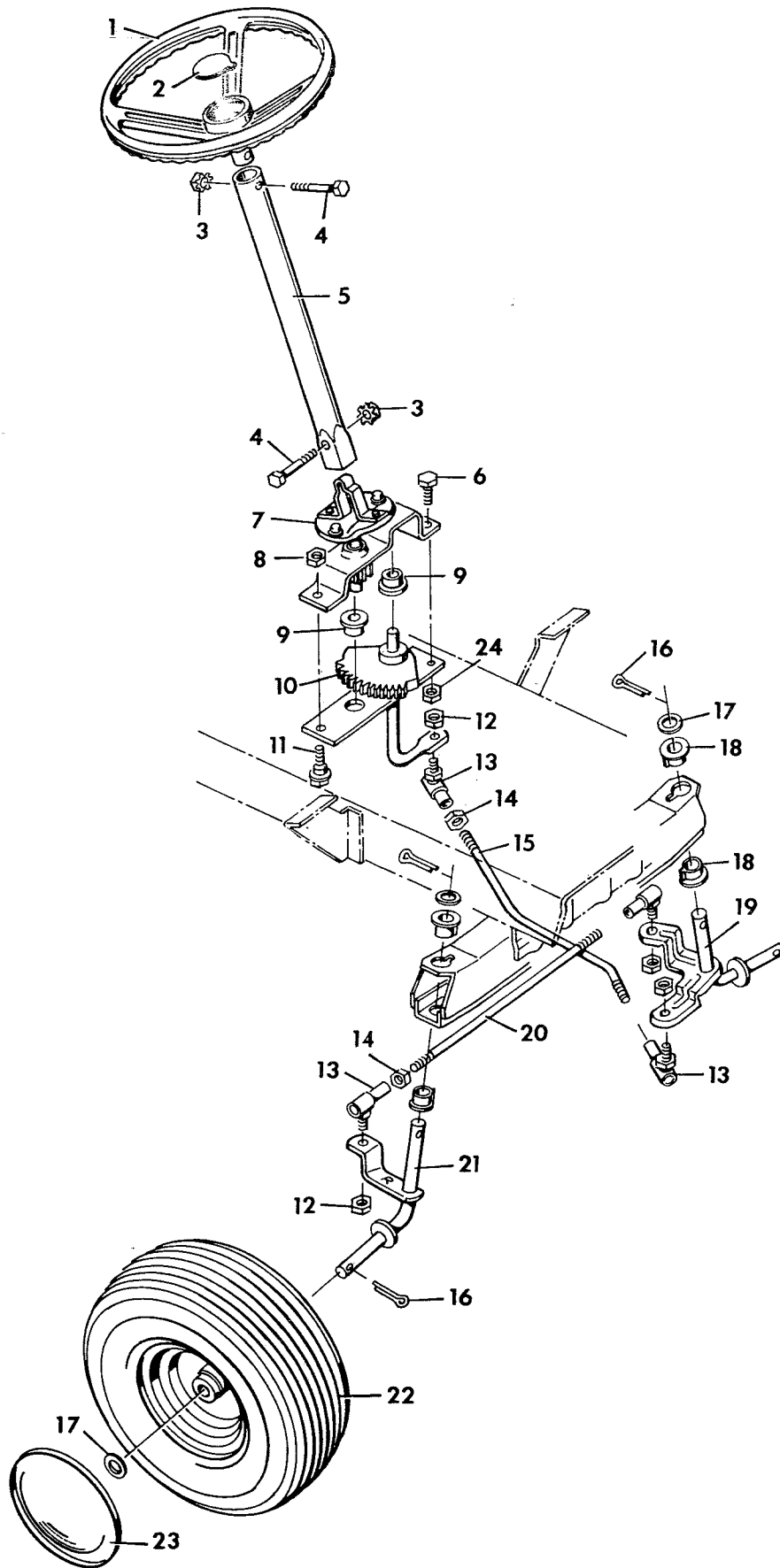
Model 4-3293  
Tractor Mower Body



Model 4-3293

Item No.	Model 4-3293 Part No.	Description
1	21811	Seat
2	20661	Shoulder Bolt
3	21660	Rear Shroud Assy.
4	21435	Hood
5	26x159	Screw #8x3/8" Type A
6	21590	Control Plate
7	26x186	Screw #10x1/2" Type AB
8	21531	Steering Post Bearing
9	15x68	Flange Nut 3/8"-16
10	21540PA	Remote Control Unit
11	21459	Engine Shroud Assy.
12	21485Z	Sealed Beam Retainer
13	21650Z	Grill & Shroud Brace
14	21406	Grill
15	15x82	Flange Nut 1/4"-20
16	26x197	Screw 5/16"x3/4" Type A
17	1x38	Bolt 1/4"-20x5/8"
18	2x53	Carriage Bolt 5/16"-18x5/8"
19	21569	Mat L. H.
20	21437	Running Board L. H.
21	21561	Hanger Bracket Assy. L. H.
22	15x79Z	Flange Nut 5/16"-18
23	403032	Frame Assy.
24	21446	Lower Grill
25	17x47Z	Washer
26	17x37Z	Washer
27	21481Z	Belt Guide
28	21436	Running Board R. H.
29	21562	Hanger Bracket Assy. R. H.
30	17x67Z	Washer
31	20692	Cotter Hair Pin
32	15x43Z	Locknut 5/16"-18
33	17x47Z	Washer
34	21568	Mat R. H.
35	21547	Support & Clip Assy.
36	2x56	Carriage Bolt 3/8"-16x3/4"
39	21403	Battery Cover
40	17x112	Finishing Washer
41	26x193	Screw #10x3-1/8" Type AB
42	1x78	Bolt 5/16"-18x4 1/4"
43	21438	Seat Bracket
44	26x185	Screw #10x3/8" Type AB
46	21411	Shroud Support
47	1x88	Bolt 1/2"-13x7/8"
48	19x36	Shakeproof Washer
49	21439Z	Seat Hinge
50	1x45	Bolt 5/16"-18x5/8"
51	21404	Tool Box

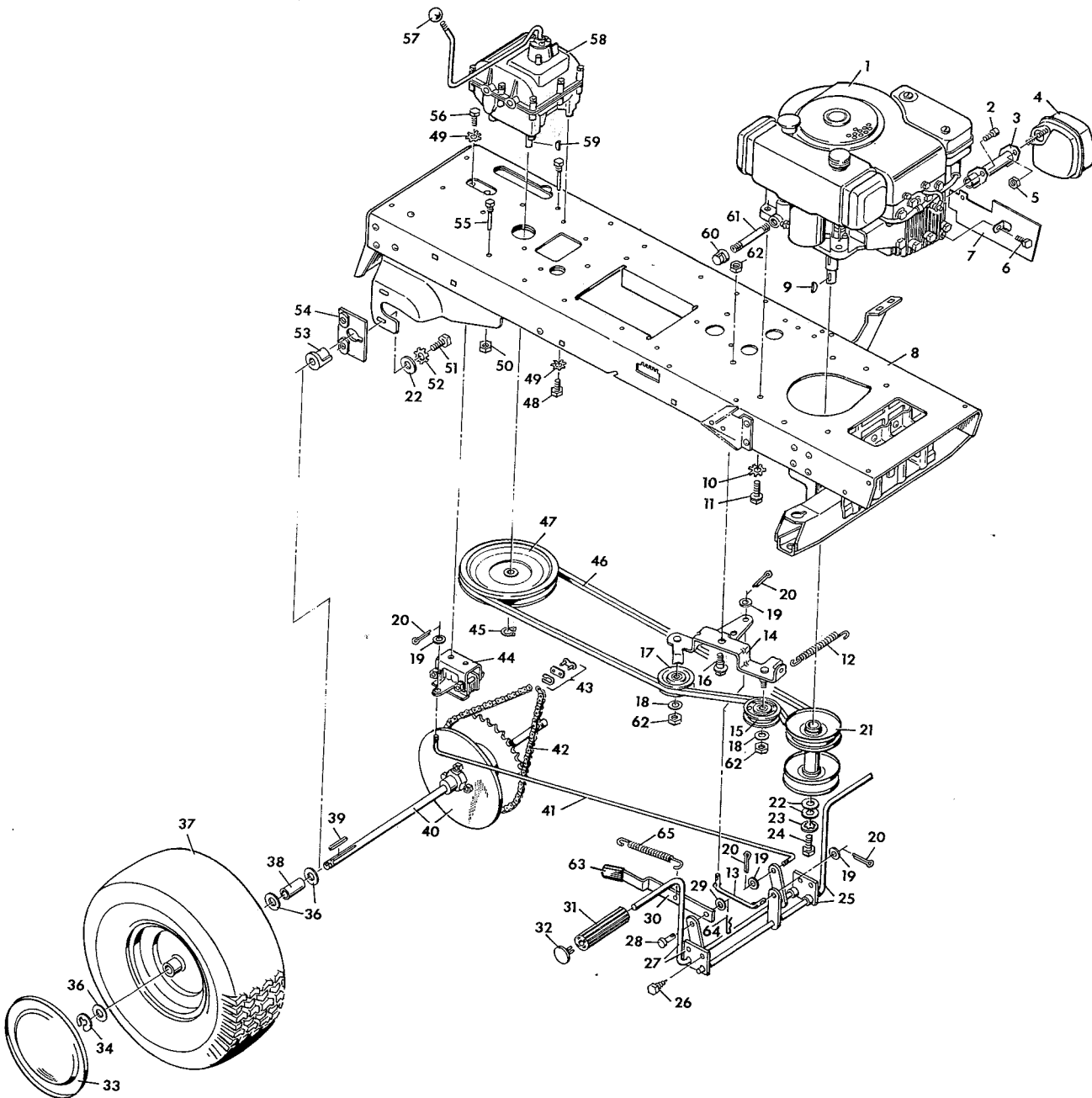
Model 4-3293  
Steering Section



Model 4-3293

Item No.	Model 4-3293 Part No.	Description
1	21606	Steering Wheel
2	21303	Steering Wheel Cap
3	15x76	Keys Nut 5/16"-18
4	1x75	Bolt 5/16"-18x1 3/4"
5	21486C	Steering Post
6	1x73	Screw 5/16"-18x7/8"
7	21493	Steering Gear & Coupling Assy.
8	15x12	Locknut 3/8"-16
9	20587	Bearing
10	21538	Steering Arm Gear & Brkt. Assy.
11	21426	Shoulder Bolt
12	15x77	Locknut 3/8"-24
13	21031	Ball Joint
14	15x61	Hex Nut 3/8"-24
15	21482	Drag Link Rod
16	30x49	Cotter Pin 1 1/4"
17	17x83Z	Washer
18	21401	Spindle Bearings
19	21476	Spindle Assy. L. H.
20	21475	Tie Rod
21	21479	Spindle Assy. R. H.
22	21527	Front Wheel & Tire
	403000	Wheel Only
	403001	Tire Only
	400162	Valve Stem & Cap
	403010	Front Wheel Bearing
23	21662	Hub Cap
24	15x43Z	Locknut 5/16"-18

Model 4-3293  
Drive Section



Model 4-3293

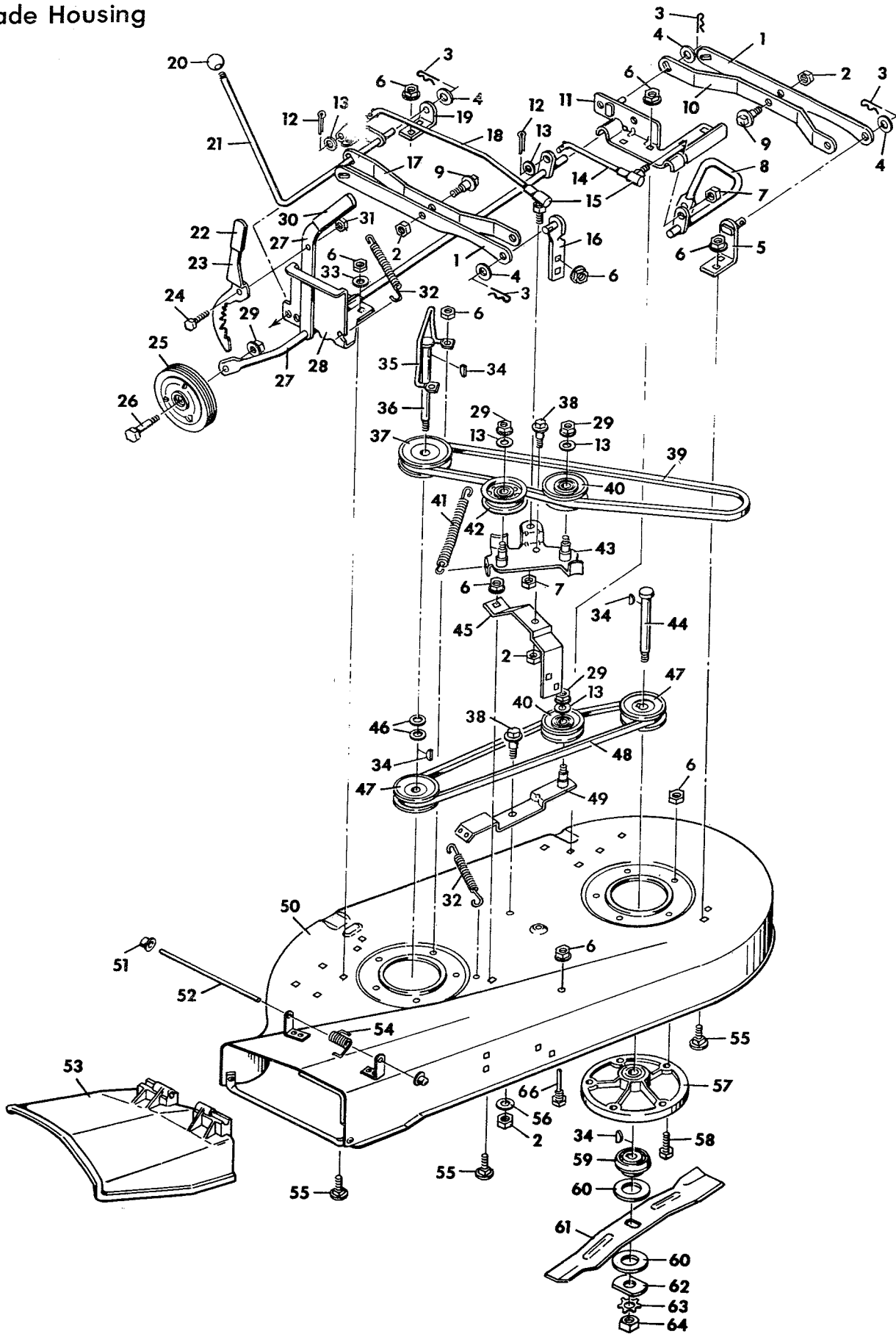
Item No.	Model 4-3293 Part No.	Description
1	-----	Engine
2	6x66	Hex Socket Screw 1/4"-20x5/8"
3	21630	Muffler Extension Assy.
4	-----	Muffler
5	15x66	Keps Nut 1/4"-20
6	1x38	Hex Bolt 1/4"-20x5/8"
7	21663Z	Heat Shield
8	403032	Frame Assy.
9	20062	Woodruff Key #6
10	19x8	Shakeproof Washer
11	20103	Engine Bolt 3/8"-16x1"
12	20684	Spring
13	21682	Clutch Link Rod
14	21428	Idler Bracket & Stud Assy.
15	21409	Idler Pulley
16	21426	Shoulder Bolt
17	20613	Idler Pulley
18	17x53Z	Washer
19	17x47Z	Washer
20	30x20	Cotter Pin
21	21415Z	Stack Pulley
22	10851Z	Washer
23	19x39	Shakeproof Washer
24	1x20	Bolt 3/8"-20x5/8"
25	21466	Clutch Lever Assy.
26	26x197	Screw 5/16"x3/4" Type A
27	21465	Brake Lever Assy.
28	29x95	Clevis Pin
29	17x46Z	Washer
30	21484Z	Parking Brake Arm
31	21544	Pedal
32	21535	Cap
33	21522	Hub Cap

Item No.	Model 4-3293 Part No.	Description
34	21433	E-Ring
36	61961Z	Washer
37	21525	Wheel & Tire
	403006	Wheel Only
	403007	Tire Only
	400162	Valve Stem & Cap
38	88x44Z	Spacer
39	21553	Square Key
40	21402	Differential W/Disc.*
41	21471Z	Brake Rod
42	21570	Chain & Link
43	20730	Connecting Link
44	21567	Brake
45	20698	Retainer Ring
46	21614	Drive Belt
47	21410	Input Pulley
48	1x91	Bolt 5/16"-18x3/4"
49	19x6	Shakeproof Washer
50	15x79Z	Flange Nut 5/16"-18
51	1x77	Bolt 3/8"-24x5/8"
52	19x7	Shakeproof Washer
53	21400	Rear Axle Bearing
54	21423Z	Bearing Adjustment Plate
55	20619	Guide Bolt
56	1x62	Bolt 5/16"-24x1/2"
57	20844	Knob
58	21405PA	Transmission**
59	20697	Woodruff Key #9
60	21651	Cap
61	21652	Oil Drain Extension
62	15x12	Hex Nut 3/8"-16
63	21434	Grip
64	20101	Hair Pin
65	206821	Spring

\* Note: Complete Illustration of Differential Shown on page 105.

\*\* Note: Complete Illustration of Transmission Shown on page 101.

Model 4-3293  
Blade Housing



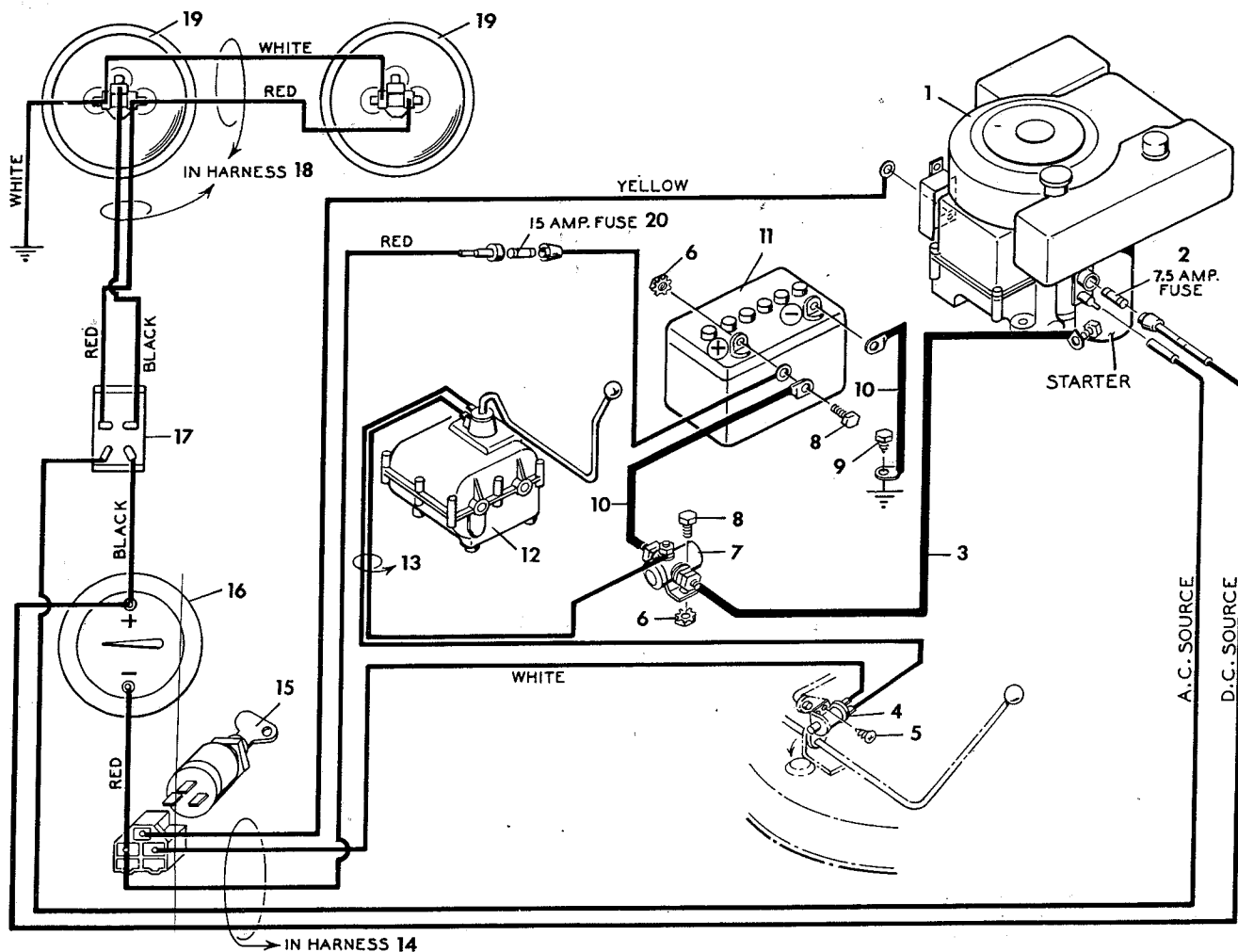
Model 4-3293

Item No.	Model 4-3293 Part No.	Description
1	20644	Outer Scissor Arm
2	15x12	Hex Nut 3/8"-16
3	20692	Hair Pin Cotter
4	17x67Z	Washer
5	21529	Scissor Bracket Assy.
6	15x43Z	Lock Nut 5/16"-18
7	15x77	Locknut 3/8"-24
8	21586	Lifter Assy. L. H.
9	20661	Shoulder Bolt
10	20643	Inner Scissor Arm L. H.
11	21512	Scissor & Pivot Rod Brkt. Assy.
12	30x20	Cotter Pin 3/4"
13	17x53Z	Washer
14	21510	Adjustment Link Rod
15	21031	Ball Joint
16	21018	Scissor Brkt. Assy.
17	20642	Inner Scissor Arm R. H.
18	21517	Link Rod
19	20934	Scissor Hanger Brkt.
20	20739	Knob
21	21515C	Blade Drive Lever Assy.
22	20476	Grip
23	21591Z	Latch
24	6x46	Shoulder Bolt 1/4"-20x37/64"
25	21027	Gauge Wheel
26	20086	Axle Bolt 3/8"-16x2"
27	21499	Lifter Assy. R. H.
28	21500	Lifter Brkt.
29	15x12	Flange Nut 3/8"-16
30	21249	Grip
31	15x67	Hex Nut 1/4"-20
32	20682	Spring
33	17x47Z	Washer 5/16"-18

Item No.	Model 4-3293 Part No.	Description
34	20062	Woodruff Key #6
35	21504Z	Belt Guide
36	21024	Jackshaft - Long
37	21096	Jackshaft Pulley
38	21426	Shoulder Bolt
39	21649	Blade Drive Belt
40	20613	Idler Pulley
41	20684	Idler Spring
42	21409	Idler Pulley
43	21503	Blade Drive Idler Assy.
44	20616	Jackshaft Short
45	21496	Idler Support Brkt.
46	17x87Z	Washer
47	21022	Jackshaft Pulleys
48	21059	Cross Drive Belt
49	21139Z	Idler Brkt. Assy.
50	21618	Blade Housing
51	28x23	Push-On-Cap
52	21197Z	Pivot Rod
53	21153	Chute Deflector
54	21189	Torsion Spring
55	2x53	Carriage Bolt 5/16"-18x5/8"
56	10851Z	Washer
57	20551	Jackshaft Housing Assy.
58	1x84	Bolt 5/16"-18x1"
59	20617	Blade Adapter
60	21673Z	Blade Washer
61	20929	Blade
62	20663Z	Washer
63	18x27	Shakeproof Washer
64	15x72	Hex Nut 1/2"-20
66	21669	Guide Bolt



Electric System  
Model 4-3293  
And Model 4-3693



Item No.	Model 4-3293 4-3693 Part No.	Description
1	-----	Engine
*2	21080	Fuse 7.5 amp.
3	21577	Battery Cable
4	21549	Safety Switch
5	26x159	Screw #8x3/8" Type A
6	15x66	Keps Nut 1/4"-20
7	21261	Solenoid
8	1x38	Bolt 1/4"-20x5/8"
9	26x197	Screw 5/16"x3/4" Type A
10	21613	Battery Cable
11	21075	Battery
12	21405PA	Transmission
13	21610	Jumper Wire
14	21609	Wiring Harness
15	21571 PA	Switch & Key
16	21057PA	Ammeter Assy.
17	20776PA	Light Switch
18	21608	Wiring Harness
19	20837	Seal Beam Light
20	21023	Fuse 15 Amp.
	20756	Key Only

\* Note: Some Engines Are Equipped With a Diode and This Fuse is Not Required With These Type Engines.