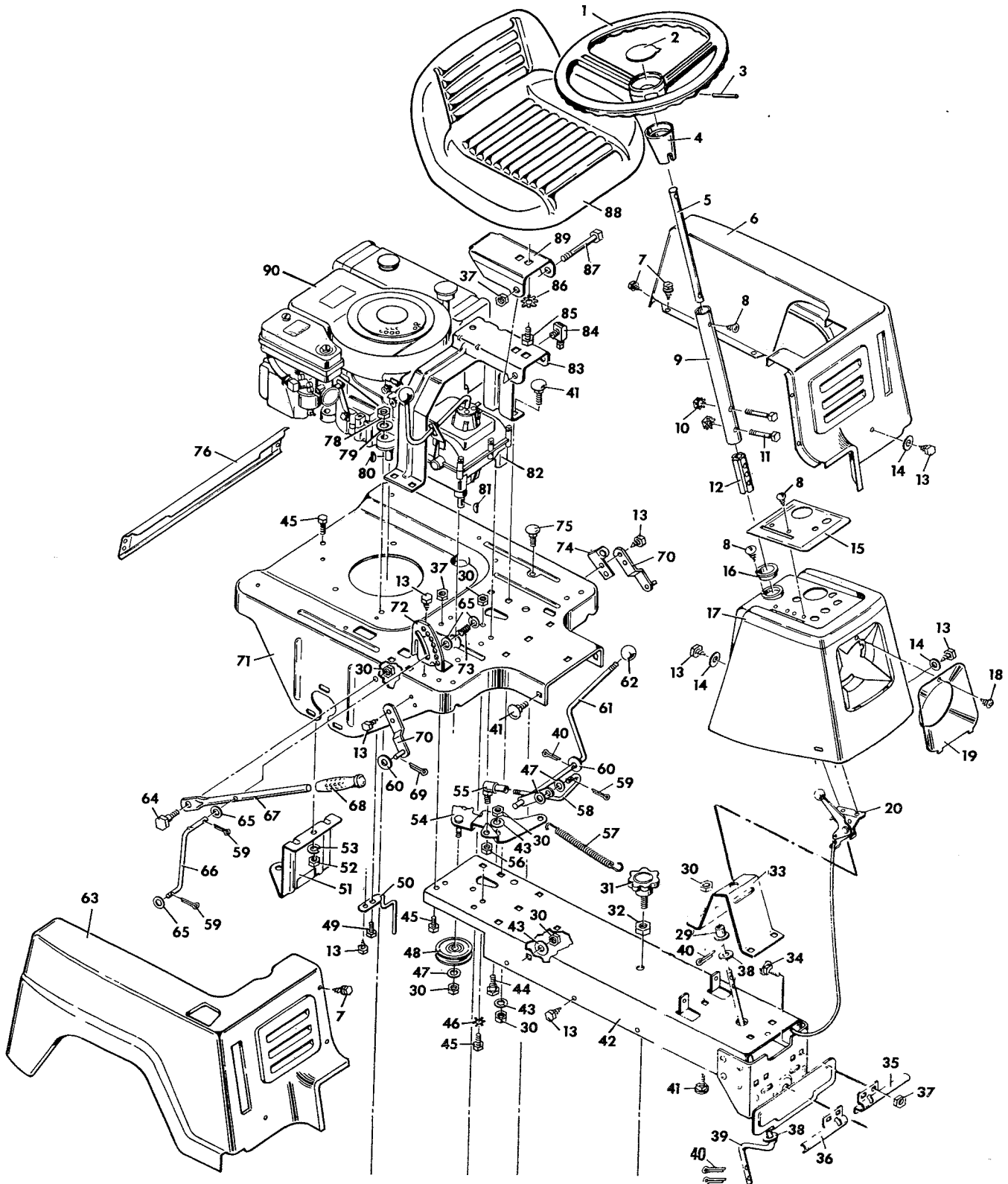


Model 4-3235
Riding Mower
Body Section



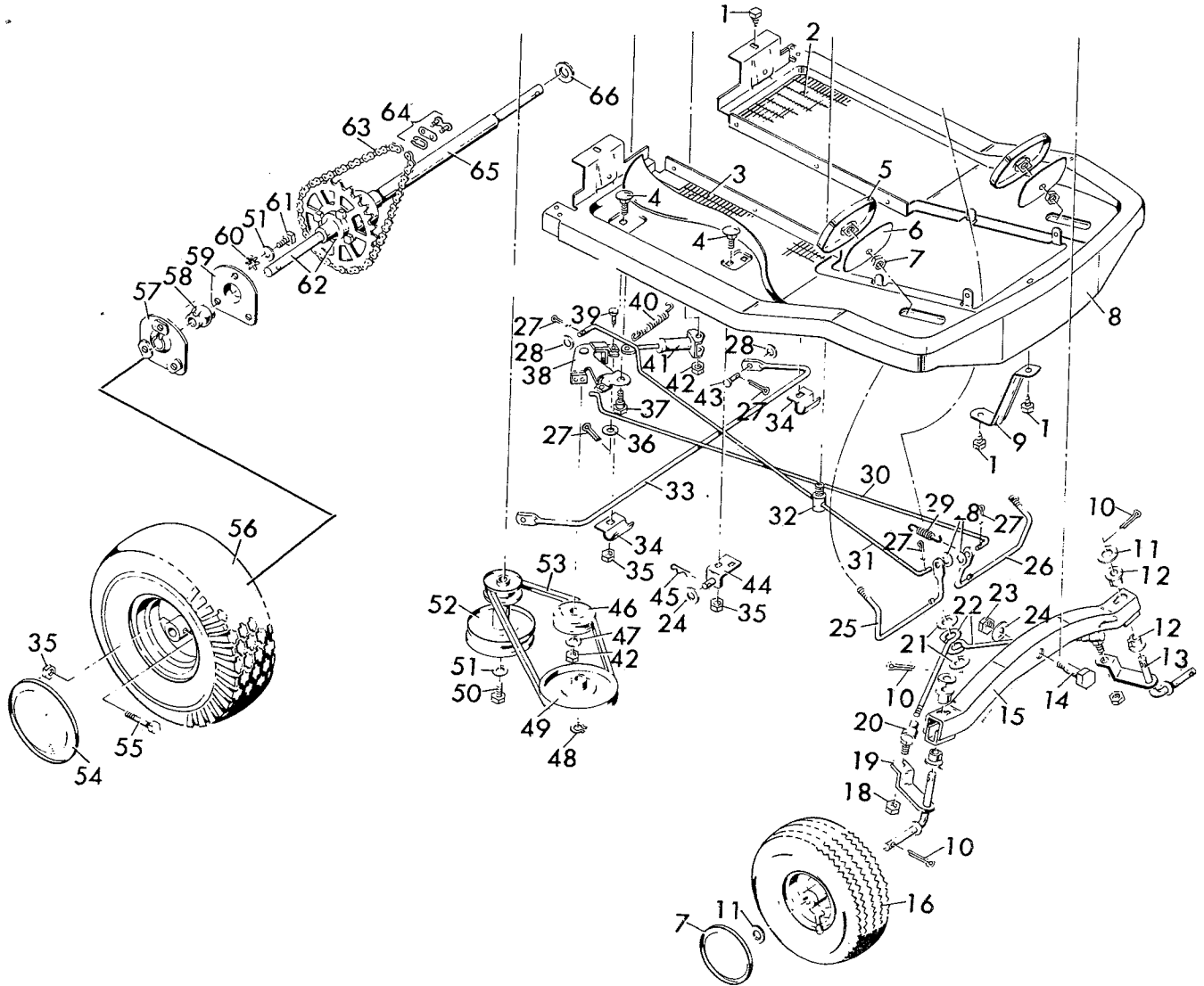
Model 4-3235

Item No.	Model 4-3235 Part No.	Description
1	21323	Steering Wheel
2	21303	Steering Wheel Cap
3	32x68	Spring Pin
4	21333	Collar
5	20866	Upper Steering Post
6	20975	Shroud L. H.
7	26x184	Screw
8	26x159	Screw
9	21174C	Steering Sleeve
10	15x76	Hex Nut - Keps 5/16-18
11	6x59	Hex Bolt 5/16-18x2
12	21175	Coupling
13	26x50	Screw
14	17x45Z	Washer
15	21242	Control Plate
16	21035	Nylon Bearing
17	20985	Console Assy.
18	26x17Z	Screw
19	21045C	Bezel Reflector
20	21223PA	Remote Control
29	20587	Nylon Bearing
30	15x12	Lock Nut 3/8-16
31	21017	Parking Brake Knob
32	15x74	Hex Jam Nut
33	21071	Steering Support
34	2x53	Carriage Bolt 5/16-18x5/8
35	20917	Clutch Clamp L. H.
36	20916	Brake Clamp R. H.
37	15x79	Flangenut 5/16-18
38	17x87	Plain Washer
39	21130	Lower Steering Post
40	30x49	Cotter Pin
41	2x57	Carriage Bolt
42	400178	Frame Channel
43	10851Z	Washer
44	20661	Shoulder Bolt
45	1x45	Bolt 5/16-18x5/8
46	19x6	Shakeproof Washer
47	17x53Z	Washer
48	20613	Idle Pulley
49	1x66	Hex Bolt 5/16-24x1 3/8

Item No.	Model 4-3235 Part No.	Description
50	21054	Belt Guide
51	21047Z	Hitch
52	15x2	Hex Nut 5/16-18
53	18x15	Lockwasher
54	20943Z	Blade Drive Idler Assy.
55	21031	Ball Joint
56	15x77	Hex Nut
57	20683	Blade Drive Idler Spring
58	21004Z	Link Rod
59	30x20	Cotter Pin
60	17x67Z	Washer
61	21002	Blade Drive Lever Assy.
62	20739	Lever Knob
63	20974	Shroud R. H.
64	20662	Shoulder Bolt
65	17x46Z	Washer
66	21005Z	Connector Rod
67	20658C	Lifter Lever
68	20718	Lifting Lever Grip
69	20692	Hair Pin Cotter
70	20997	Hanger Brkt. Assy.
71	20901	Engine Base
72	20636	Lifter Index Brkt.
73	20680	Lifter Spring
74	21220	Switch Retainer
75	2x58	Carriage Bolt
76	20971	Shroud Panel
78	15x42	Locknut 5/16-24
79	17x47	Washer
80	2006	Woodruff Key #6
81	20697	Woodruff Key #9
82	21819PA	Transmission *
83	20926	Seat Bracket
84	20735	Oil Drain Fitting
85	1x88	Hex Bolt 1/2-13
86	19x36	Shakeproof Washer
87	1x78	Hex Bolt 5/16-18x4 1/4
88	21324	Seat
89	21048Z	Seat Hinge
90	-----	Engine

* Note: Complete Illustration of Transmission Shown on page 100.

Model 4-3235
Drive Section



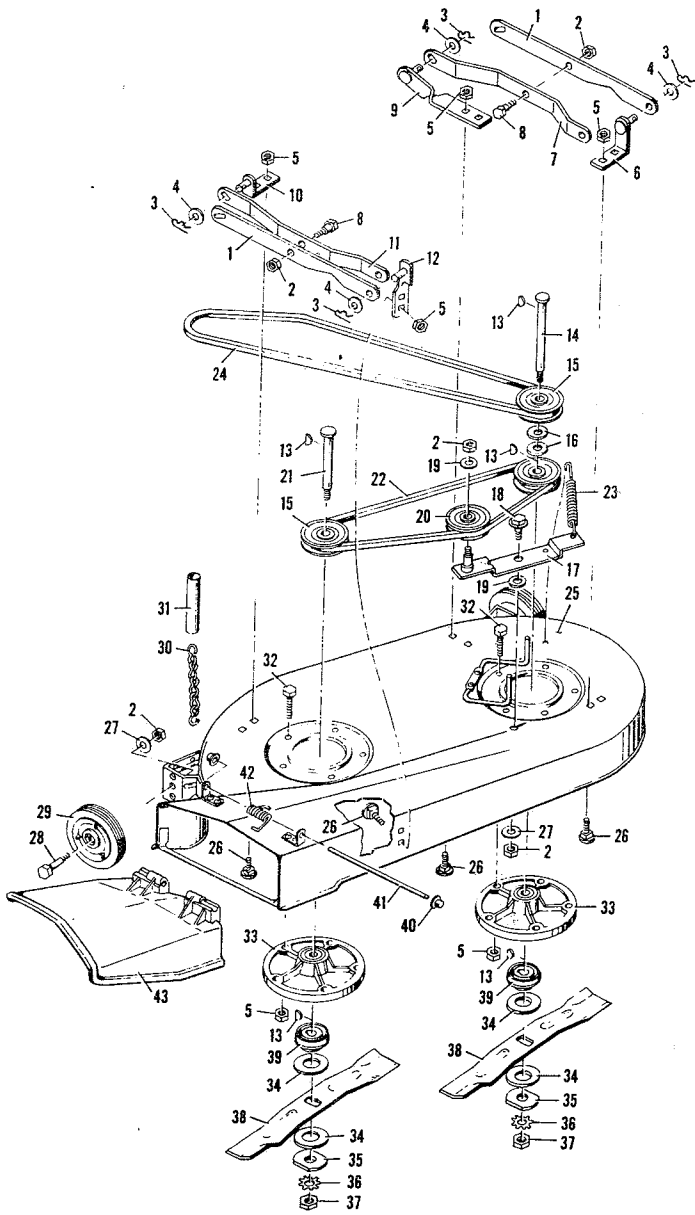
Model 4-3235

Item No.	Model 4-3235 Part No.	Description
1	26x70	Screw
2	21007	Rubber Mat L. H.
3	21006	Rubber Mat R. H.
4	2x53	Carriage Bolt
5	20999E	Clutch & Brake Pedal
6	21051E	Pedal Back Up Plate
7	15x64	Hex Nut 1/2-13
8	20923	Running Board
9	20949	Support Brkt.
10	30x49	Cotter Pin
11	17x100Z	Washer
12	20939	Spindle Bearing
13	20953	Spindle Assy. L. H.
14	20908	Shoulder Bolt
15	20914	Front Axle Assy.
16	20744	Front Wheel & Tire
	133x4	Tire Only
	135x4	Wheel Only
	20745	Front Wheel Bearing
17	21081	Hub Cap
18	15x77	Hex Nut 3/8-24
19	20952	Spindle Assy. R. H.
20	21031	Ball Joint
21	17x87Z	Washer
22	20948	Tie Rod
23	15x41	Locknut
24	17x67Z	Washer
25	20918	Brake Lever R. H.
26	20919	Clutch Lever L. H.
27	30x20	Cotter Pin
28	17x46Z	Washer
29	21041	Pedal Snubber Spring
30	21129	Clutch Rod
31	21128	Brake Rod
32	21016	Parking Brake Base
33	20942	Lifter Rod

Item No.	Model 4-3235 Part No.	Description
34	20993	Lifter Clamp
35	15x43Z	Hex Nut
36	17x46Z	Washer
37	20662	Shoulder Bolt
38	20670	Drive Idler Assy.
39	29x94	Clevis Pin
40	20682	Drive Idler Spring
41	20891	Air Cylinder
42	15x12	Locknut 3/8-16
43	29x93	Clevis Pin
44	20996	Hanger Bracket
45	20692	Hair Pin Cotter
46	20613	Idler Pulley
47	17x53Z	Washer
48	20698	Retainer Ring
49	20614	Transmission Pulley
50	1x20	Hex Bolt 3/8-24x1
51	10851Z	Washer
52	21014Z	Stack Pulley Assy.
53	20716	Drive Belt
54	20797	Hub Cap
55	1x81	Hex Bolt 5/16-18x1-5/8
56	20754	Rear Wheel & Tire
	133x6	Tire Only
	135x6	Wheel Only
	400162	Valve Stem & Cap
57	21009Z	Outer Bearing Retainer Assy.
58	20568	Rear Axle Bearing
59	20570Z	Bearing Retainer
60	19x7	Shakeproof Washer
61	1x77	Hex Bolt 3/8-24x3/4
62	21000	Differential & Axle*
63	20733	Chain & Link #41
64	20730	Connecting Link #41 Chain
65	20848Z	Rear Axle Sleeve
66	61961Z	Washer

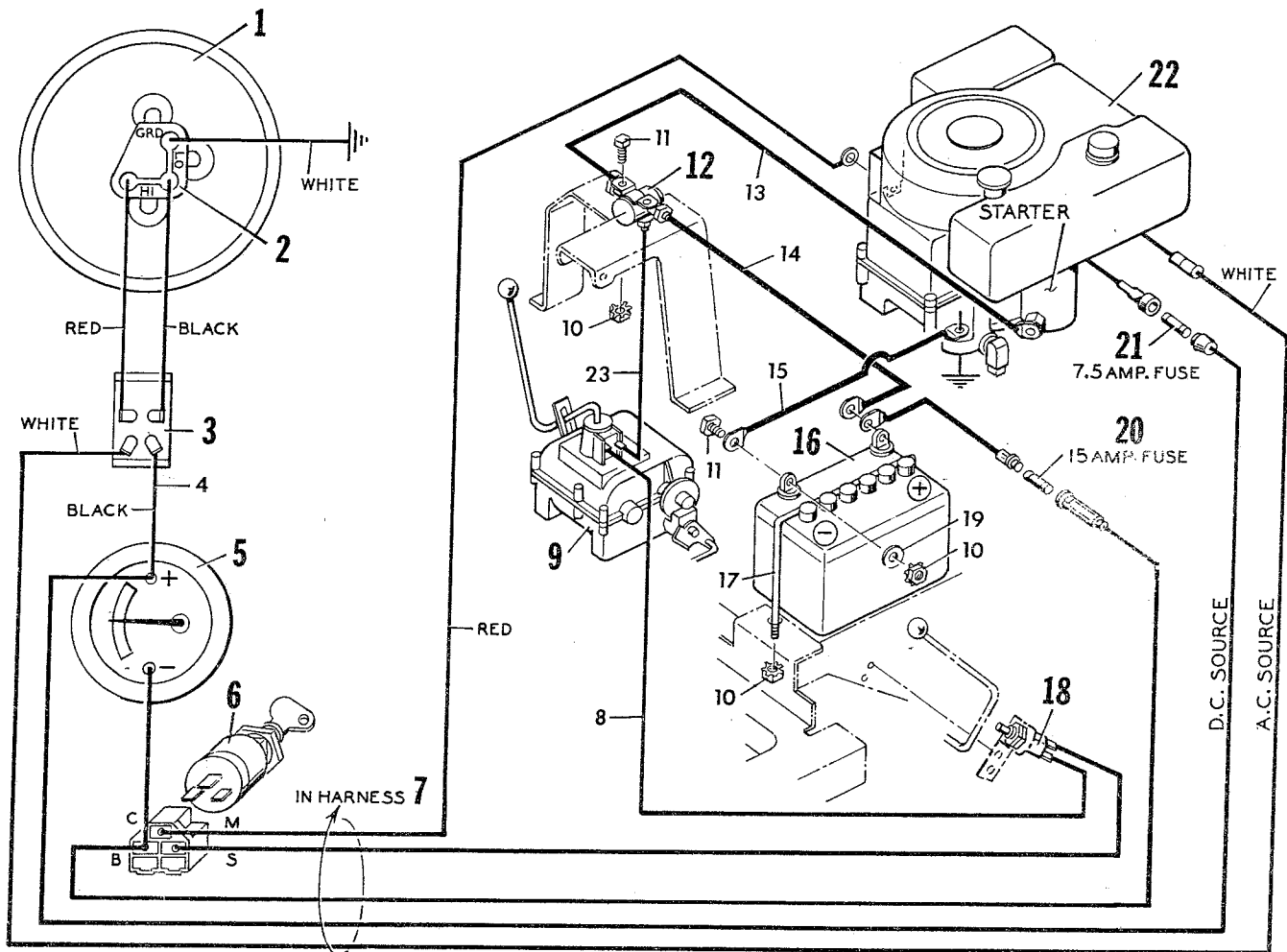
* Note: Complete Illustration of Differential Shown on page 104.

Model 4-3235
Blade Housing



Item No.	Model 4-3235 Part No.	Description
1	20644	Outer Scissor Arm
2	15x12	Locknut
3	20692	Hair Pin Cotter
4	17x67Z	Washer
5	15x79	Locknut
6	20995	Scissor Brkt. Assy. L.H. Front
7	20643	Inner Scissor Arm L.H.
8	20661	Shoulder Bolt
9	21020	Scissor Brkt. Assy. L.H. Rear
10	20994	Scissor Brkt. Assy. R.H. Rear
11	20642	Inner Scissor Arm R.H.
12	21018	Scissor Brkt. Assy. R.H. Front
13	20062	Woodruff Key #6
14	21024	Jackshaft Long
15	21022	Jackshaft Pulley
16	17x87Z	Washer
17	21139Z	Idler Brkt. Assy.
18	20662	Shoulder Bolt
19	17x53Z	Washer
20	20613	Idler Pulley
21	20616	Jackshaft
22	21059	Cross Drive Belt
23	20683	Drive Idler Spring
24	21058	Blade Drive Belt
25	20925	Blade Housing Assy.
26	2x53	Carriage Bolt
27	10851 Z	Washer
28	20086	Axle Bolt
29	21027	Gauge Wheel
30	21028	Lifter Chain
31	20989	Chain Cover
32	1x73	Hex Bolt
33	20551	Jackshaft Housing
34	21673Z	Blade Washer
35	20663Z	Blade Washer
36	18x27	Washer
37	15x72	Hex Nut
38	20929	Blade
39	20617	Blade Adapter
40	28x23	Push-On-Cap
41	21197Z	Pivot Rod
42	21189	Torsion Spring
43	21153	Chute Deflector

Electric System
Model 4-3235



Item No.	Model 4-3235 Part No.	Description
1	20837	Seal Beam Light
2	21074	Socket
3	20776PA	Light Switch
4	21298	Jumper Wire
5	21057PA	Ammeter
6	21571	Switch & Key
7	21806PA	Wiring Harness Assy.
8	20609	Jumper Wire
9	21819PA	Transmission
10	15x66	Keps Nut
11	1x38	Hex Bolt
12	21261	Solenoid Switch
13	21264	Battery Wire (Long)
14	21263	Battery Wire (Short)
15	21038	Battery Cable
16	21075	Battery
17	21053Z	Battery Hold Down
18	20608	Limit Switch
19	17x36Z	Washer
20	21023	Fuse - 15 Amp.
*21	21080	Fuse - 7.5 Amp.
22	----	Engine
23	21298	Jumper Wire
	20756	Key Only

* Note: Some Engines Are Equipped With a Diode and This Fuse is Not Required With These Type Engines.